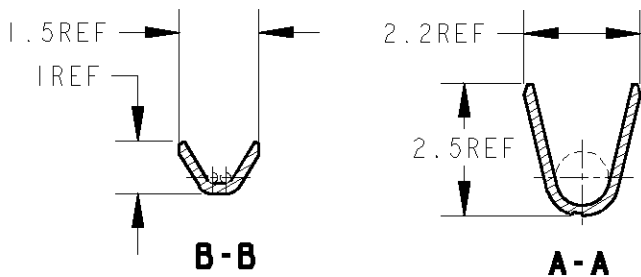
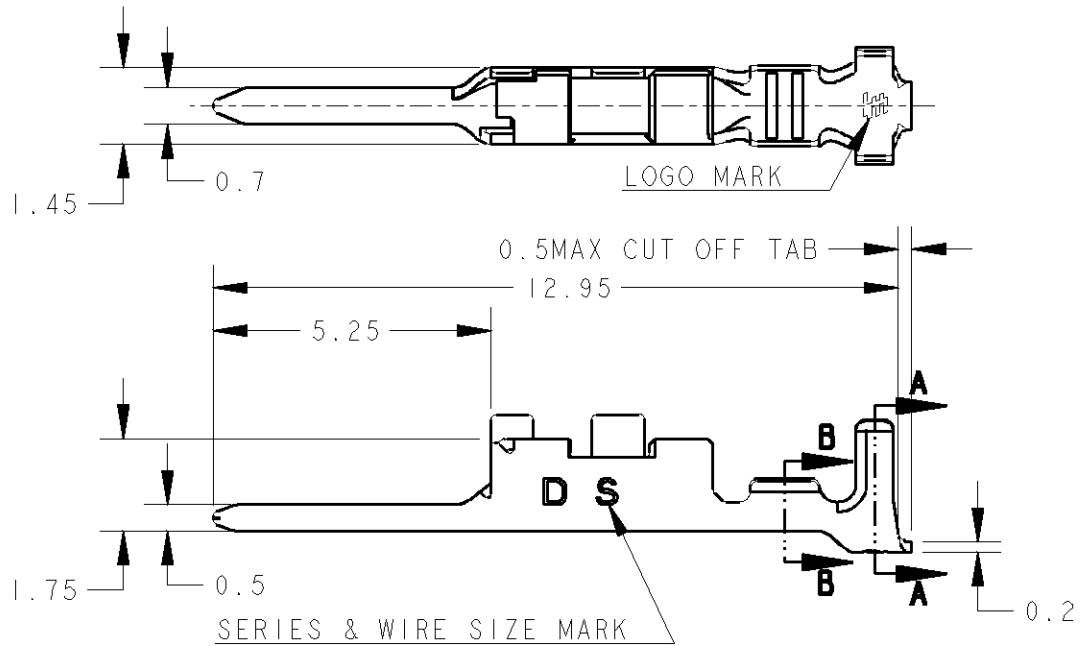


LOC	DIST	REVISIONS					
J	-	P	LTR	DESCRIPTION	DATE	DWN	APVD
		B		REVISED PER ECR-10-010439	07JUN2010	HMR	T.M



1. THE SHAPE, SIZE AND POSITION OF THE CHARACTER SHOW THE OUTLINE. THEY DON'T SHOW DETAILS.

1. 文字の形状、大きさ、および位置については、大略を示すものであり、詳細を示すものではありません。

AS SHOWN: 1903115-2

<p>△ COPPER ALLOY: FINISH; CONTACT AREA Au 0.38μmMIN, OVER Ni 1.27μmMIN</p> <p>△ 銅合金: 下地; 全面ニッケルめっき1.27μm以上, 接点部; 金めっき0.38μm以上</p>	1903115-2
MATERIAL (材料)	PART NO(型番)

2006

RELEASED FOR PUBLICATION

THIS DRAWING IS UNPUBLISHED.

BY TYCO ELECTRONICS CORPORATION. ALL INTERNATIONAL RIGHTS RESERVED.

© COPYRIGHT 2006

DIMENSIONS: 単位: 耗 mm	DWN M. MAEBASHI 11 APR 2006	WIRE RANGE 総合電線断面積 mm <sup>2</sup> 0.05~0.09	AWG# 30~#28	INSULATION DIA 被覆外径 φ0.6~φ1.2
	CHK T. KUDO 11 APR 2006	MATERIAL 材料	FINISH 仕上	
TOLERANCES UNLESS OTHERWISE SPECIFIED: 一般公差 ±0.3, ±3° 0 PLC ± 1 PLC ± 2 PLC ± 3 PLC ± 4 PLC ± ANGLES ±	APVD D. MITSUGI 11 APR 2006	Tyco Electronics Corporation Kawasaki, Japan		
	PRODUCT SPEC 製品規格 108-78268  APPLICATION SPEC 取付適用規格 114-5377	NAME 名称 DYNAMIC DI000 SERIES TAB CONTACT Au, S-TYPE L/P	SIZE A4	CAGE CODE 00779
	WEIGHT 0.071 g	RESTRICTED TO		
CUSTOMER DRAWING		SCALE 尺度 7:1	SHEET 1	OF 1
		REV B		