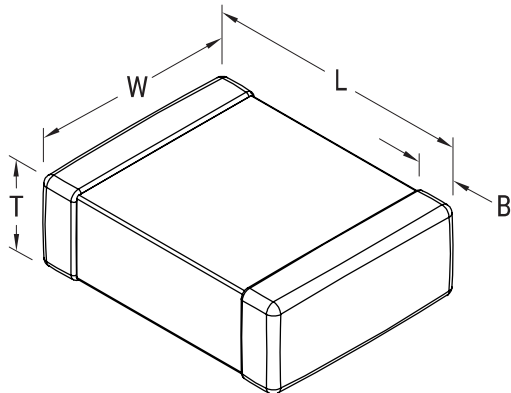



KEMET Part Number: M3253506E2Z225KZMB
(C1210K225K3RML)

SMD MIL X7R PRF32535, Ceramic, Military/High Reliability, 2.2 uF, 10%, 25 VDC, X7R, SMD, Conformal, Military, Low ESR, MIL-PRF-32535, N/A, 1210



Dimensions	
L	3.2mm +/-0.25mm (0.126 in +/-0.01 in)
W	2.49mm +/-0.25mm (0.098 in +/-0.01 in)
T	2.79mm MAX (0.11 in MAX)
B	0.51mm +/-0.36mm (0.02 in +/-0.014 in)

Packaging Specifications	
Weight:	108 mg
Packaging:	Waffle
Packaging Quantity:	80

General Information	
Supplier:	KEMET
Series:	SMD MIL X7R PRF32535
Style:	SMD Chip
Description:	SMD, Conformal, Military, Low ESR, MIL-PRF-32535
RoHS:	No
Prop 65:	 WARNING: Cancer and reproductive harm - www.p65warnings.ca.gov .
REACH:	SVHC (Pb – CAS 7439-92-1)
Termination:	Solder Plated
Failure Rate:	N/A
Qualifications:	MIL-PRF-32535
Notes:	2mm Pitch T&R packaging option will double quantity. Only for 0603 Chip Size
Chip Size:	1210

Specifications	
Capacitance:	2.2 uF
Capacitance Tolerance:	10%
Voltage DC:	25 VDC
Dielectric Withstanding Voltage:	62.5 V
Temperature Range:	-55/+125C
Temperature Coefficient:	X7R
Dissipation Factor:	3.50% 1kHz 25C
Aging Rate:	0% Loss/Decade Hour
Insulation Resistance:	450 MOhms