

THIS DRAWING IS UNPUBLISHED.

RELEASED FOR PUBLICATION

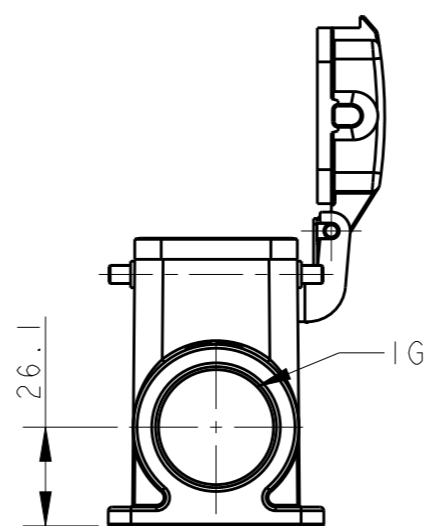
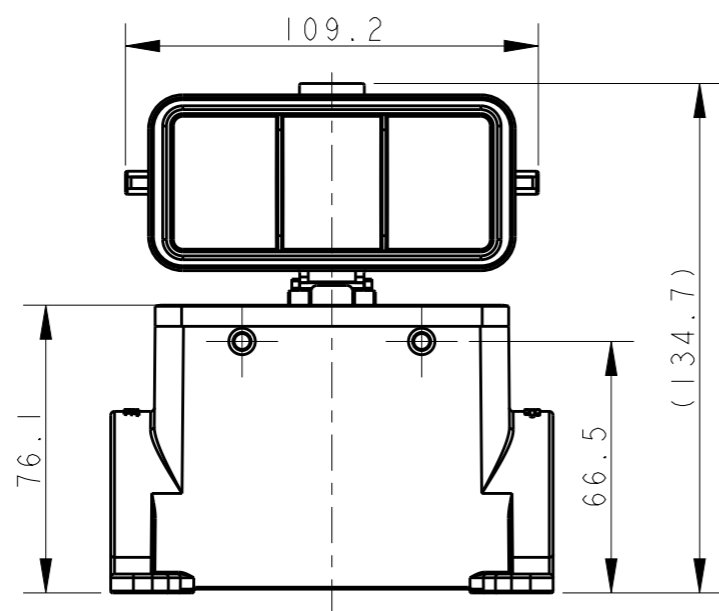
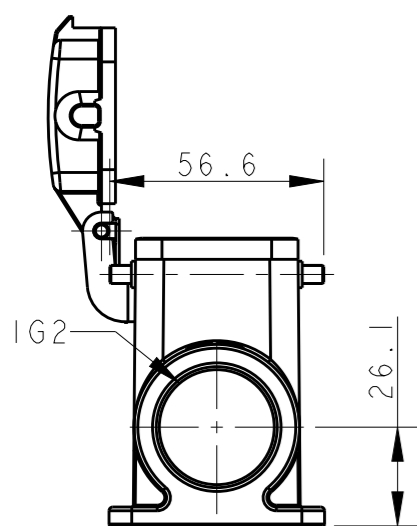
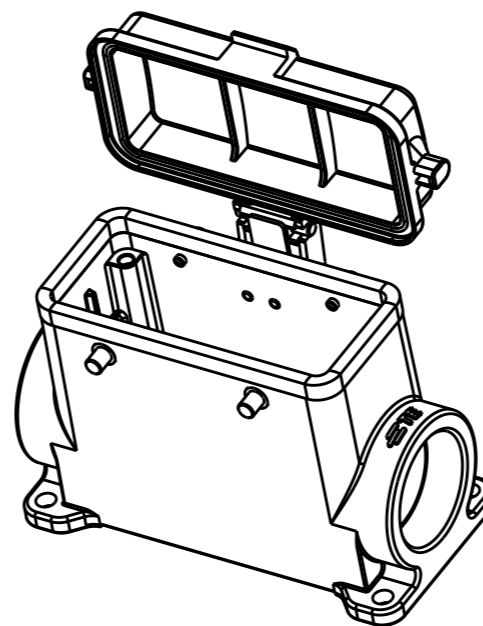
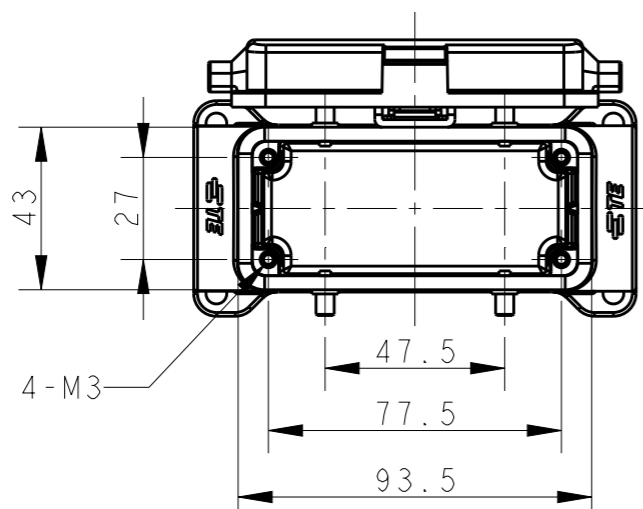
20

© COPYRIGHT 20 BY -

ALL RIGHTS RESERVED.

REVISIONS

P	LTR	DESCRIPTION	DATE	DWN	APVD
	A	INITIAL RELEASE	23JUN2015	DL	CW

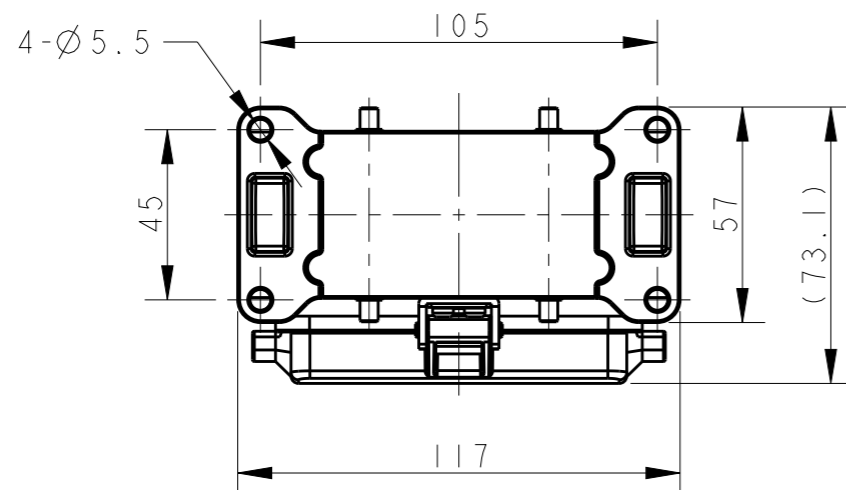


NOTES:

- 1. TECHNICAL CHARACTERISTICS:
 BODY MATERIAL: DIE CAST ALUMINIUM ALLOY
 SURFACE TREATMENT: POWDER-COATED, GRAY
 OPERATION TEMPERATURE: -40-+125°C
 DEGREE OF PROTECTION: IP65 (MATED)

注释:

- 1. 技术参数:
 主体材料: 铝合金
 表面处理: 粉末喷涂, 灰色
 工作温度: -40-+125°C
 防护等级: IP65(配合)

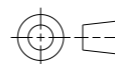


TI490160121-000	TYPE I	HI6B-SDRH-BO-PG21	PG21	-
TI490160129-000		HI6B-SDRH-BO-PG29	PG29	-
TI490160132-000		HI6B-SDRH-BO-M32	M32	-
TI490160221-000		HI6B-SDRH-BO-2PG21	PG21	PG21
TI490160229-000		HI6B-SDRH-BO-2PG29	PG29	PG29
TI490160232-000		HI6B-SDRH-BO-2M32	M32	M32
ASSEMBLY PART NUMBER	TYPE	ASSEMBLY PART DESCRIPTION	IG1	IG2

TYPE I: HIGH BODY + PLASTIC PROTECTION COVER

THIS DRAWING IS A CONTROLLED DOCUMENT.

DIMENSIONS: mm



MATERIAL TBD

TOLERANCES UNLESS OTHERWISE SPECIFIED:

0 PLC	±-
1 PLC	±-
2 PLC	±-
3 PLC	±-
4 PLC	±-
ANGLES	±-
FINISH	-

DWN 23JUN2015

DAVID LI

CHK 23JUN2015

CHRIS WANG

APVD 23JUN2015

XU XIANG

PRODUCT SPEC

108-137013

APPLICATION SPEC

114-137013

WEIGHT -

CUSTOMER DRAWING

23JUN2015

23JUN2015

23JUN2015

NAME HI6B-SDRH-BO-PG/M



TE Connectivity

SIZE A3 CAGE CODE - DRAWING NO. ©-TI49016XXXX000 RESTRICTED TO -

SCALE 1:2 SHEET 1 OF 2 REV A

4

3

2

1

THIS DRAWING IS UNPUBLISHED.

RELEASED FOR PUBLICATION

20

© COPYRIGHT 20

BY -

ALL RIGHTS RESERVED.

REVISIONS

P	LTR	DESCRIPTION	DATE	DWN	APVD
	-	SEE SHEET 1	-	-	-

TYPE 2: HIGH BODY + METAL PROTECTION COVER
OTHER SPEC REFER TO TYPE 1

T1490161121-000	TYPE 2	H16B-SDRHM-BO-PG21	PG21	-
T1490161129-000		H16B-SDRHM-BO-PG29	PG29	-
T1490161132-000		H16B-SDRHM-BO-M32	M32	-
T1490161221-000		H16B-SDRHM-BO-2PG21	PG21	PG21
T1490161229-000		H16B-SDRHM-BO-2PG29	PG29	PG29
T1490161232-000		H16B-SDRHM-BO-2M32	M32	M32
ASSEMBLY PART NUMBER	TYPE	ASSEMBLY PART DESCRIPTION	IG1	IG2

THIS DRAWING IS A CONTROLLED DOCUMENT.		DWN	DAVID LI	23JUN2015	
DIMENSIONS:		CHK	CHRIS WANG	23JUN2015	
mm		APVD	XU XIANG	23JUN2015	
		PRODUCT SPEC	108-137013	NAME	
TOLERANCES UNLESS OTHERWISE SPECIFIED:		APPLICATION SPEC	114-137013	SIZE	A3
0 PLC	±-	WEIGHT	-	CAGE CODE	-
1 PLC	±-	CUSTOMER DRAWING		DRAWING NO	©-T149016XXXX000
2 PLC	±-	SCALE	1:2	RESTRICTED TO	-
3 PLC	±-	FINISH	-	SHEET	2 OF 2
4 PLC	±-			REV	A
ANGLES	±-				

1470-19 (3/13)