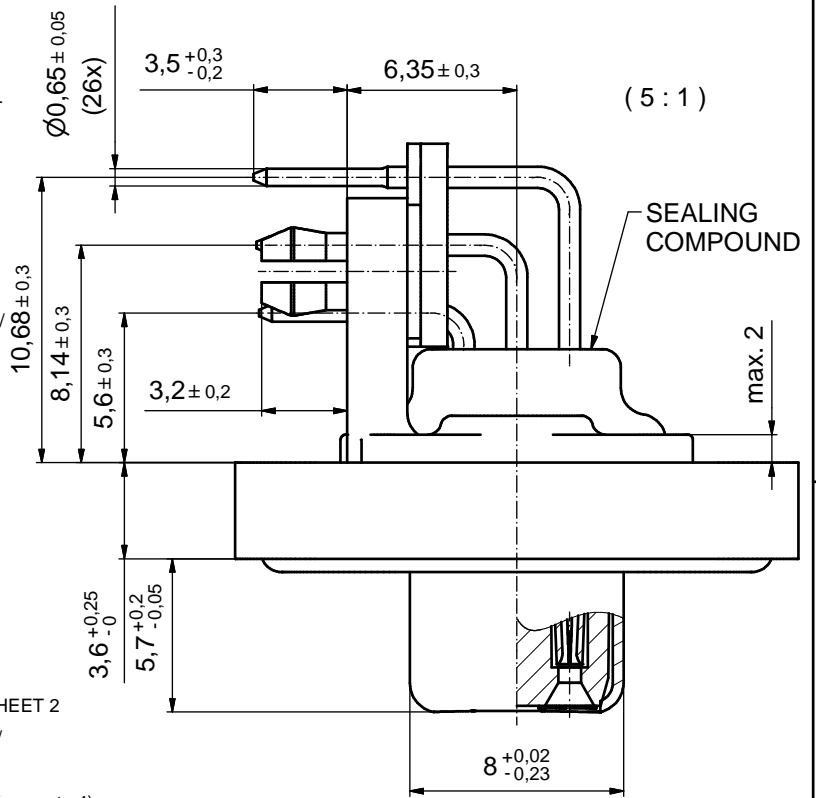
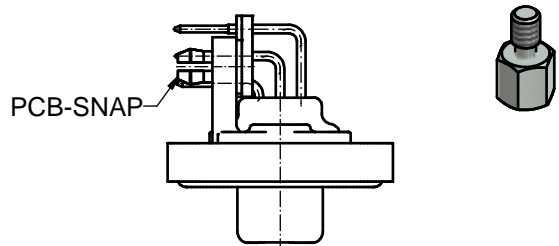
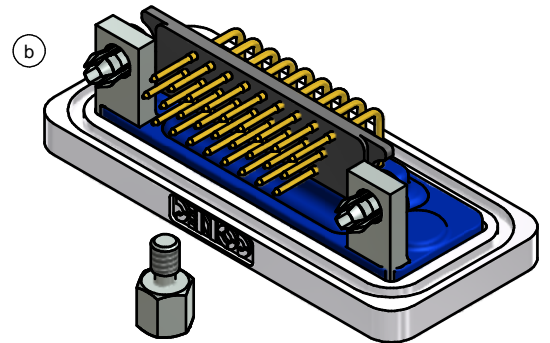
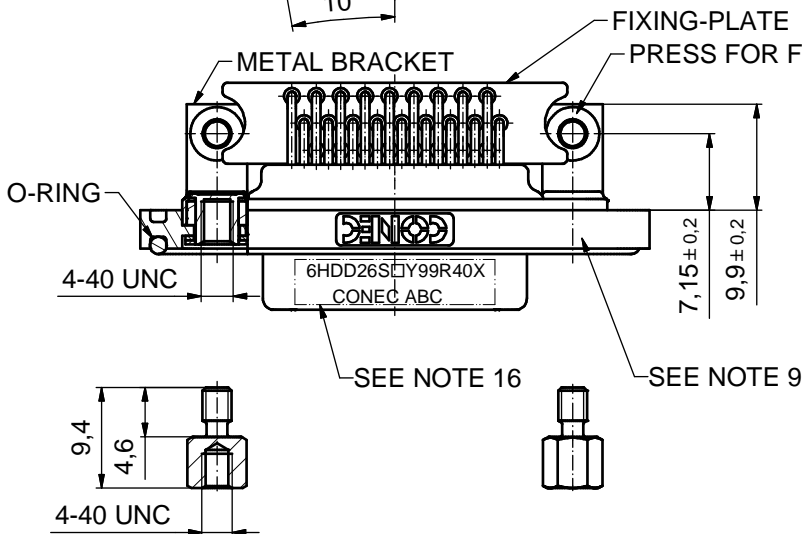
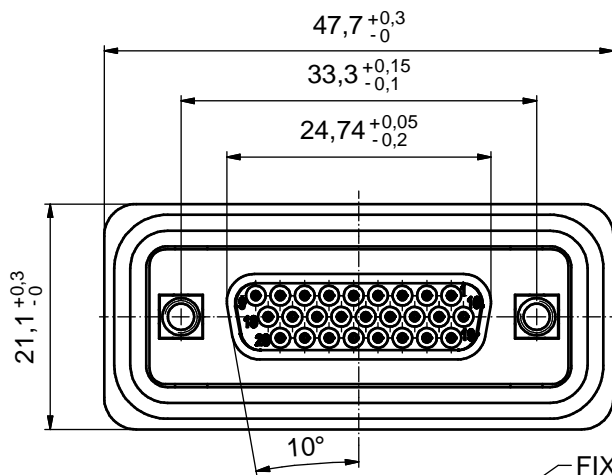


**NOTES:** (b)

1. FOR WAVESOLDERING ( SOLDER BATH TEMPERATURE 240°C FOR 5 SEC. AND SOLDER PREHEAT 120°C FOR 120 SEC. )
2. METALSHELLS: COPPER ALLOY; min. 315µin TIN over 40-80µin NICKEL
3. INSULATORS: PBT GF UL 94 V-0; BLACK
4. CONTACTS: COPPER ALLOY  
PLATING (SEE PART NO.):  
□ PLEASE ADD C for 30µin HARD GOLD over min. 50µin NICKEL  
□ PLEASE ADD B for 20µin HARD GOLD over min. 50µin NICKEL  
□ PLEASE ADD A for GOLD FLASH over NICKEL ( PREFERRED TYPE )
5. METAL BRACKETS: ZINC DIE CAST; 300µin COPPER/40-120µin NICKEL/ 120-200µin TIN
6. THREADED INSERTS: COPPER ALLOY; min. 200µin TIN over 80µin NICKEL
7. COLLARS: COPPER ALLOY; min. 200µin TIN over 80µin NICKEL
8. PCB-SNAPS: COPPER ALLOY; min. 200µin TIN over 80µin NICKEL  
PCB-HOLE:  $\varnothing 3,1 \pm 0,1$ mm; PCB-THICKNESS: 1,6mm
9. HEXLOCKING SCREWS: STAINLESS STEEL
10. FRAME: ZINC DIE CAST; NICKEL PLATED
11. FIXING PLATE: PBT GF UL 94 V-0; BLACK
12. O-RING: SILICON; BLUE
13. SEALING COMPOUND: PUR; BLUE
14. P.C.B. HOLE DRILLINGS AND RECOMMENDED PANEL CUT-OUT ON SHEET 2
15. RECOMMENDED TORQUE FOR MOUNTING SCREW 35Ncm (3.1 in.LB) / max.40Ncm (3.5 in.LB)
16. CONNECTOR IS PART MARKED: **6HDD26S□Y99R40X CONEC ABC** (see note 4)



AT ALL TIMES WATER RESISTANT CONNECTORS NOT IN USE SHOULD BE COVERED WITH A CONEC WATER RESISTANT CAP OR WATER TIGHT HOOD.



(b) SW 4,8

RoHS compliant (b)

|   |                  |   |                          |                                       |           |           |
|---|------------------|---|--------------------------|---------------------------------------|-----------|-----------|
| THIS DRAWING MAY NOT BE COPIED OR REPRODUCED IN ANY WAY, AND MAY NOT BE PASSED ON TO A THIRD PARTY WITHOUT WRITTEN PERMISSION. OWNERSHIP AND COPYRIGHT OF CONEC GmbH DO NOT ALTER CAD DRAWING BY HAND | tolerance        |   | dim. in mm               |                                       | scale:    | 2:1 (5:1) |
|   |                  |   |                          |                                       | material: | SEE NOTES |
|   | date             | name  | title:                   |                                       |           |           |
|   | drawn 11.06.2015 | Heinrich  | D-SUB HD FEMALE 90°      |                                       |           |           |
|   | appd. 11.06.2015 | Lehmenkühler  | 26pos. SOLDER PIN ANGLED |                                       |           |           |
| norm  |                  | with threaded insert, metal bracket, fixing-plate, snap |                          |                                       |           |           |
| d-old   |                  | dwg no:   |                          |                                       |           |           |
| 5 x c   | A5675            | 10.06.15  | M.H.                     | 15K1A1646                             |           |           |
| a   | Original         |   |                          |                                       |           | DIN-A3    |
| rev.  | description      | date  | name                     | part no: 6HDD26S□Y99R40X (see note 4) |           |           |

**CONEC**

(b)