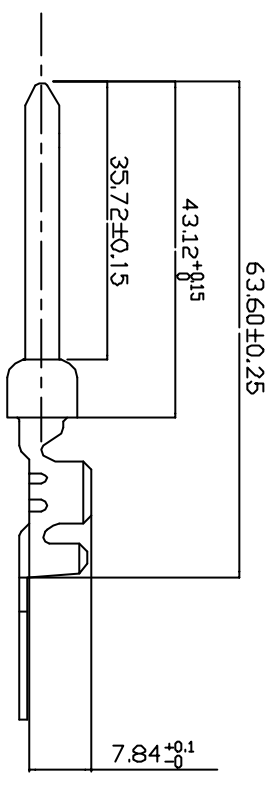
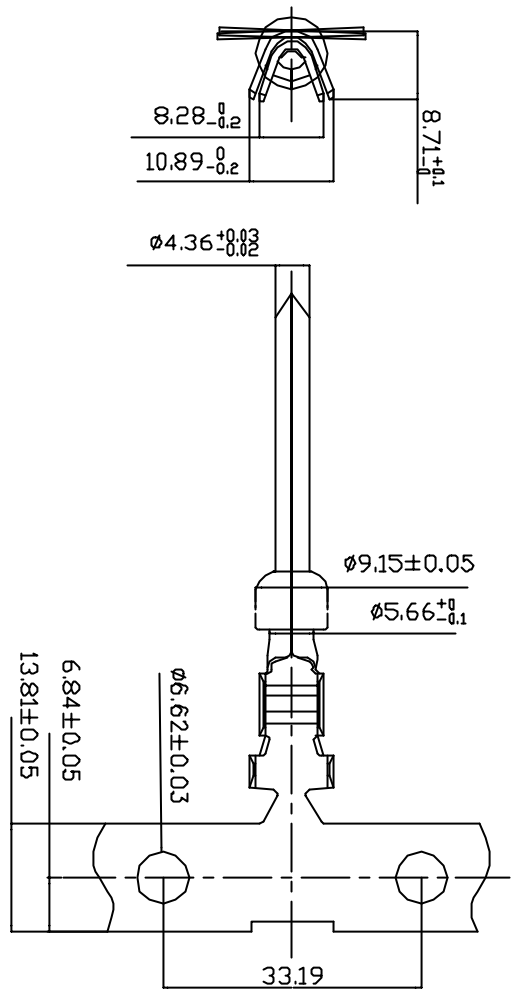


This document is the property of Amphenol Corporation and is delivered on the express condition that it is not to be disclosed, reproduced or used, in whole or in part, for the manufacture or sale by anyone other than Amphenol Corporation without its prior consent, and that no right is granted in disclosure or to use any information in this document.



SPECIFICATIONS
 Material : Brass
 Burr : 0,1mm Max. on mating area
 Camber : 0,1mm Max.
 Deformation : 0,05mm Max.
 Plating : see table below
 Underplating : 50µ" Nickel
 RoHS Compliant
 MSL components : level 3

L17RR DIM -- 100

Plating :
 01 : 5µ" full Gold
 02 : 15µ" full Gold
 04 : 30µ" full Gold

Packaging :
 Bag of 100 contacts

11 : 5µ" selective Gold
 (tails 78µ" Tin)
 12 : 15µ" selective Gold
 (tails 78µ" Tin)
 14 : 30µ" selective Gold
 (tails 78µ" Tin)

TOLERANCE [mm]	APPROVALS	DATE	TITLE
X ±0.25	DRAM GDU	15/11/05	Rear Release DSub Crimp plug contacts AWG-20-24
X.X ±0.13	Patched PGI	15/11/05	
XXX ±0.05	APPROVED PGI	15/11/05	
Angular ±0°30'			

UNITS : MM	SIZE : DRAWING N° L17RR DIM -- 100	REV. A
---------------	---------------------------------------	-----------

AMPHENOL	AMPHENOL SOCAPEX
Dale Business Unit	Scale N.A.
Sheet 1 of 1	