

NOTE:  
 STYLE LEVER "A"  
 ILLUSTRATED OTHER  
 STYLED LEVERS  
 ARE SHOWN ON  
 A 24-5618

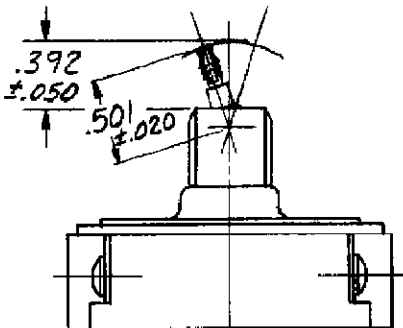
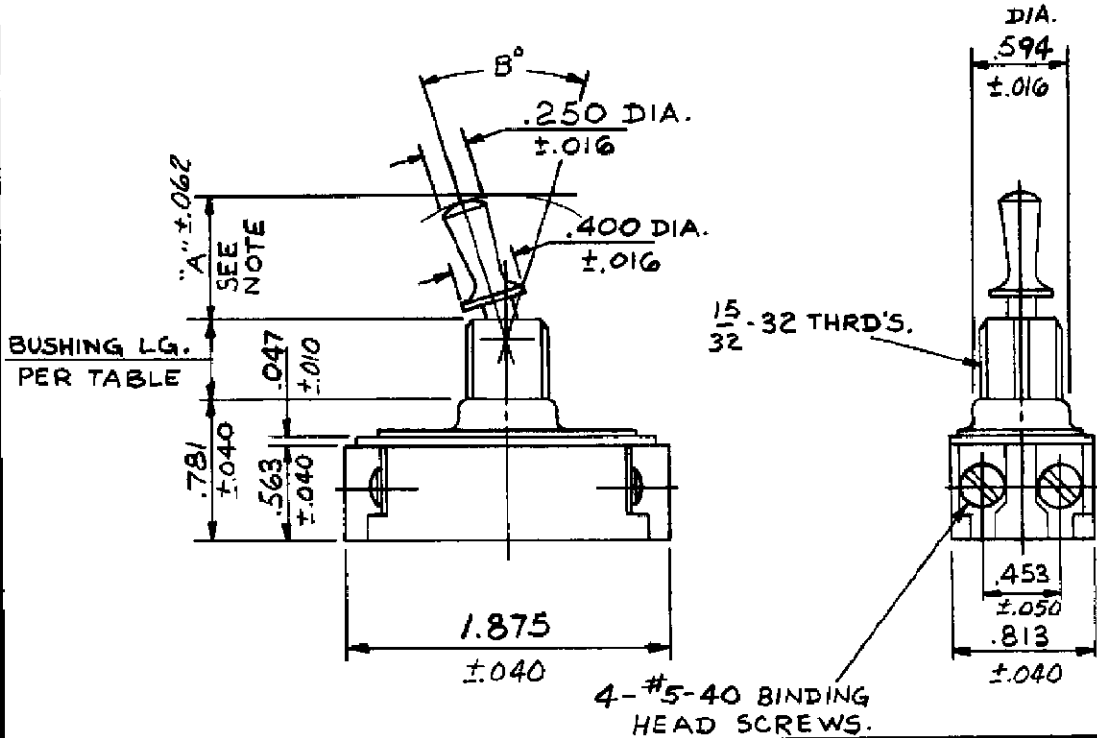


FIG. 2

	L	.791	.768
	K	.791	.768
	J	.791	.768
	G	.794	.771
	F	.862	.839
	E	.734	.711
	D	.734	.711
	C	.699	.677
	A	.778	.756
LEVER STYLE	DIM. "A"		
DIM. "B"	50°±10°	37°±10°	
BUSHING LENGTH	344±.016	469±.016	
DESCRIPTION			

A  
90-4739

TITLE DIMENSIONS FOR ONE HOLE MTG. TOOL HANDLE SWITCH

ORDER NO. 702A502009

BASIC SPECS. SUMMARY

REVISED TABLE 1 "A" DIM.

DATE R.G. WARD  
 702A502009 9/14/74

DR. G.T. ROBERTS

11-13  
 -73

APP. *Max Roper* 11/1/74

A

CHK. R. GLENN 11/4/74

FIRST ASSEM. WHERE LISTED  
 D90-4734

B

C

**CUTLER • HAMMER**