

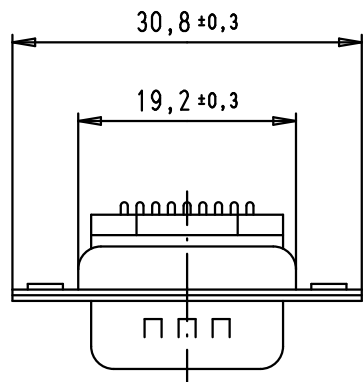
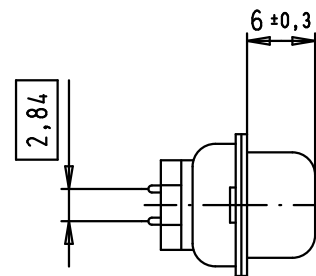
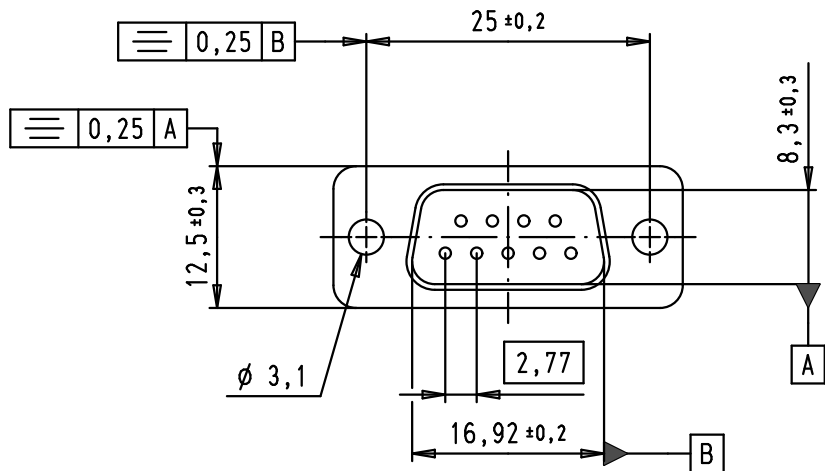
5

4

3

2

1





SPECIFICATIONS

| FREQUENCY (MHz) | ATTENUATION (dB) |
|-----------------|------------------|
| 5 | 0,5 |
| 10 | 1 |
| 50 | 2,5 |
| 100 | 3 |
| 500 | 3,5 |
| 1000 | 4 |

Operating voltage < 250 V AC
 Working current < 7,5 A
 Insulation resistance > 1GΩ
 Contact resistance < 15 mΩ
 Dielectric withstanding voltage 500 V AC / minute

Solder bucket termination inner diameter: 1,20 mm

| | | | | | | | | | |
|---------|----------|------|---------------|---------|----------|---|--|--------------------------------|----|
| | | | | Dot. | Name |  All Dim. in mm Orig. Size DIN A 4 | D-Sub, male, straight, 9 poles, tin plated shell with dimples, solder buckets, ferrite filter | Maßstab/ Scale 1,5:1 | |
| | | | | Detail. | 11/06/09 | | | | PK |
| | | | | Insp. | | | | | |
| | | | | Stand. | | | | | |
| 36160 | 22/09/10 | SC | HARTING EURL | | |  | TB 09 64 121 7800 | Blatt/ Page 1 / 1 | |
| EC00332 | 11/06/09 | PK | F-95972 Paris | | | | | | |
| Mod. | Dot. | Name | Sub. | | | | | | |

| | |
|----------------|-------------------|
| 09 64 121 7800 | PL3 |
| Part number | Performance level |

D

C

B

A