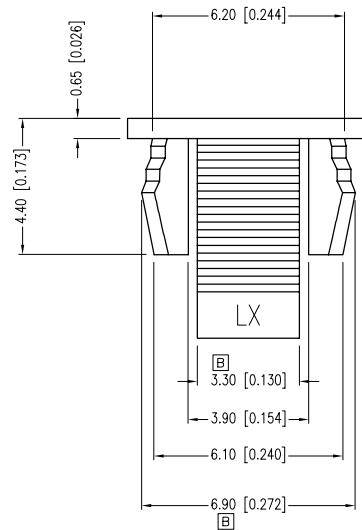
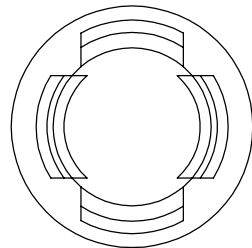
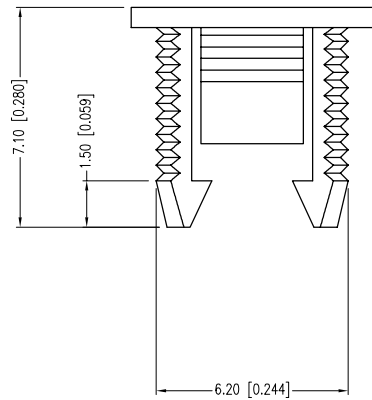
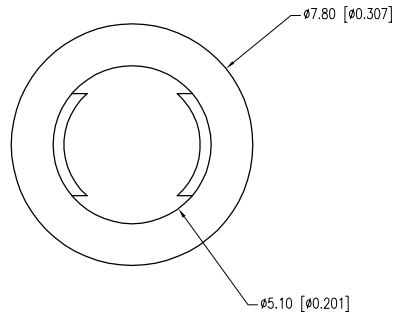
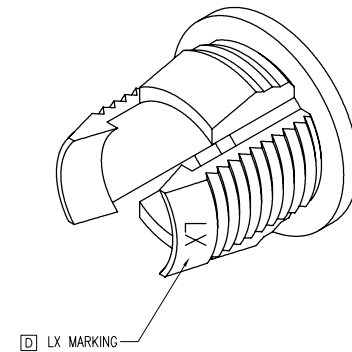
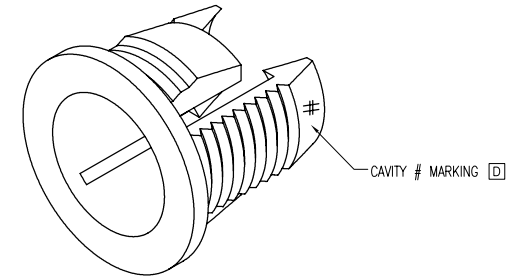


PART NUMBER	SSH-LX5091	REV.	E
DATE	E.C.N. NUMBER AND REVISION COMMENTS	REV.	
04.01.99	E.C.N. #10BRDR. & REDRAWN.	A	
06.24.99	E.C.N. #10525.	B	
04.10.08	E.C.N. #11496.	C	
08.15.08	E.C.N. #11526.	D	
03.01.11	E.C.N. #10BRDR. & REDRAWN.	E	



NOTES:

1. MATERIAL: BLACK PP.
2. PANEL CUTOUT: 1/4".
3. PANEL THICKNESS: 0.050"-0.100".



\*UNLESS OTHERWISE SPECIFIED TOLERANCES PER DECIMAL PRECISION ARE: X=±1 (±0.039), X.X=±0.5 (±0.020), X.XX=±0.25 (±0.010), X.XXX=±0.127 (±0.005). LEAD SIZE=±0.05 (±0.002), LEAD LENGTH=±0.75 (±0.030). MIN.= +<sup>DECIMAL PRECISION</sup> -0.00, MAX.= +0.00 -<sup>DECIMAL PRECISION</sup>

UNCONTROLLED DOCUMENT

**LUMEX**  
 Creating LED and LCD Solutions Together™

290 E. HELEN ROAD  
 PALATINE, IL 60067-6976  
 PHONE: +1.847.359.2790  
 FAX: +1.847.359.6538  
 WEB: WWW.LUMEX.COM

LED PANEL HOLDER FROM 5mm (T-1 3/4) LED, BLACK POLYPROPYLENE.

\*\*THE SPECIFICATIONS MAY CHANGE AT ANY TIME WITHOUT NOTICE DUE TO NEW MATERIALS OR PRODUCT IMPROVEMENT.\*\*

CONFIDENTIAL INFORMATION  
 THE INFORMATION CONTAINED IN THIS DOCUMENT IS THE PROPERTY OF LUMEX INC. EXCEPT AS SPECIFICALLY AUTHORIZED IN WRITING BY LUMEX INC., THE HOLDER OF THIS DOCUMENT SHALL KEEP ALL INFORMATION CONTAINED HEREIN CONFIDENTIAL AND SHALL PROTECT SAME IN WHOLE OR IN PART FROM DISCLOSURE AND DISSEMINATION TO ALL THIRD PARTIES.

DATE: 09.22..93	DRAWN BY: CK/BC
PAGE: 1 OF 1	CHKD BY: JD
SCALE: NTS	APRVD BY: JD
UNIT: mm [INCH]	Ⓟ