

# CGB3C1X5R0J106M065AC

TDK Item Description : CGB3C1X5R0J106MT\*\*\*\*

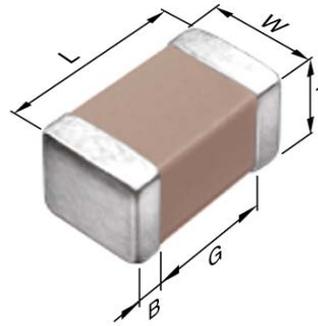


## Application & Main Feature

Commercial Grade ( Low Profile )

## Series

CGB3(1608) [EIA CC0603]



## Dimensions

L 1.60mm +0.2,-0.1mm  
 W 0.80mm +0.2,-0.1mm  
 T 0.65mm Max.  
 B 0.20mm Min.  
 G 0.30mm Min.

## Temperature Characteristic

X5R (-55 to 85 degC +/-15%)

## Rated Voltage

0J (6.3Vdc)

## Capacitance

10uF

## Capacitance Tolerance

M (+/-20%)

## Dissipation Factor

10% Max.

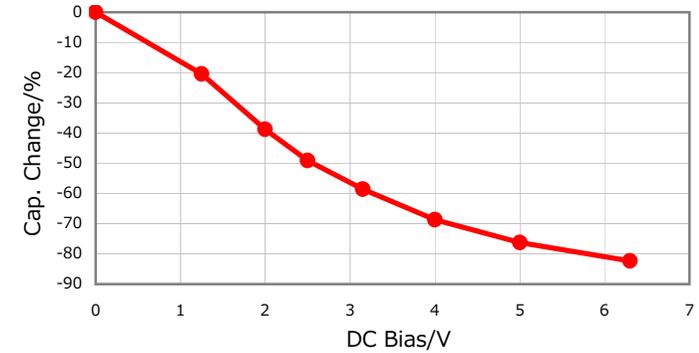
## Insulation Resistance

10Mohm Min.

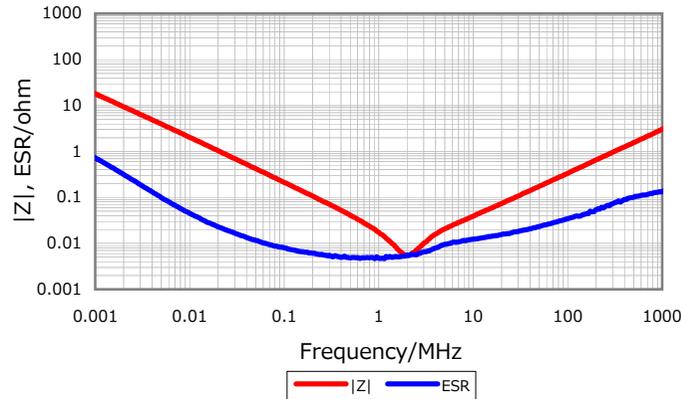
## AEC-Q200

Not Applicable

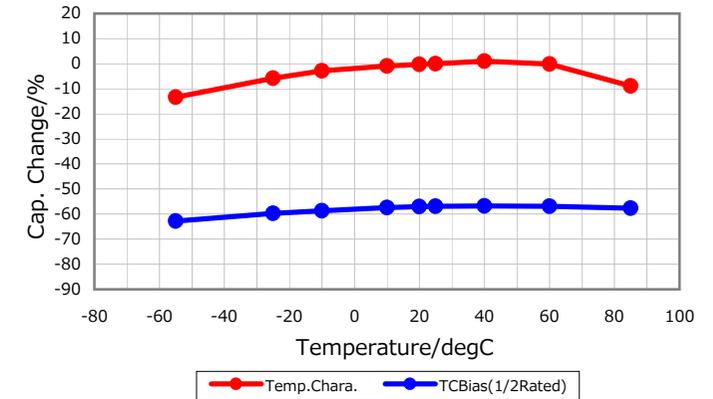
## DC Bias Characteristic



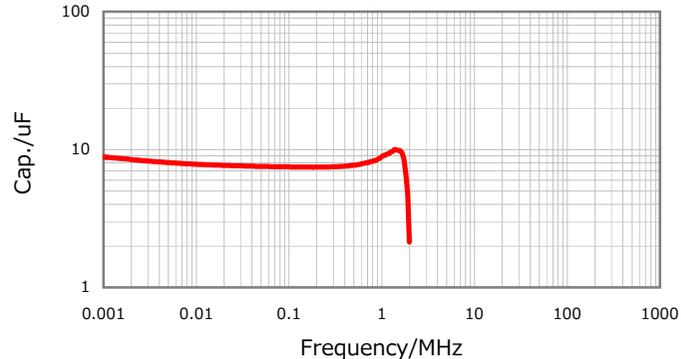
## |Z|, ESR vs. Freq. Characteristics



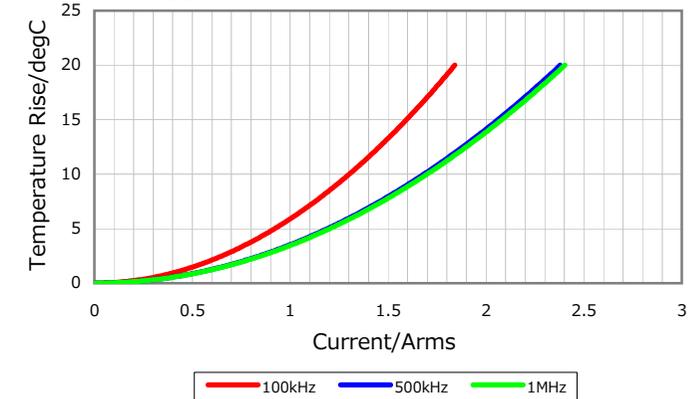
## Temperature Characteristics



## Cap. vs. Freq. Characteristic



## Ripple Temperature Rise Characteristics



Characterization Sheet ( Multilayer Ceramic Chip Capacitors )



All specifications are subject to change without notice.

January 4, 2016