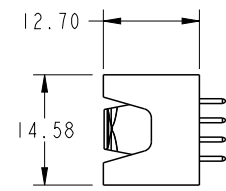
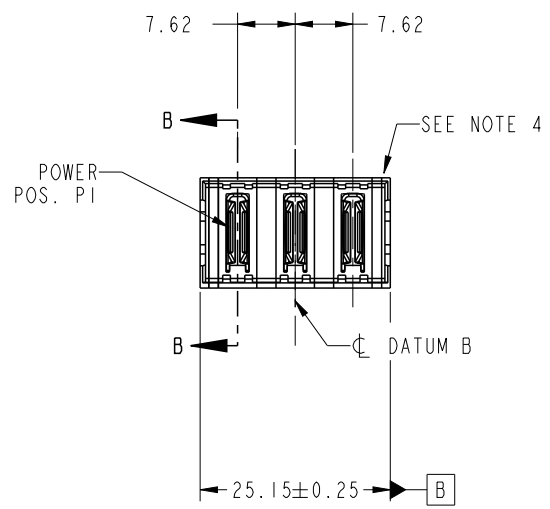




Copyright FCI.

PRODUCT NO. 51952-248-- NOTE ③	POWER		
	P1	P2	P3
	PA	PA	PA



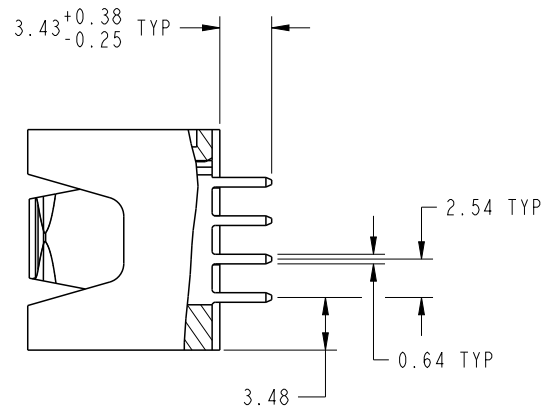
CODE	DIM "M" MATING LENGTH	CONTACT TYPE
PA	[N/A]	POWER

spec ref	See Notes			dr	Ruan MT	2013/07/08	projection 	MM ←→	size	A4	scale	1:1
tolerance std	TOLERANCES UNLESS OTHERWISE SPECIFIED			eng	Ruan MT	2013/09/15			ecn no	-		
See Notes				chr	-	-			rel level	Released		
surface	linear	0.X	±0.50	FCI	www.fci.com	title	3ACP	dwg no	51952-248	rev	A	
		0.XX	±0.25									
	0.XXX	±0.10										
	angular	0°	±2°	cat. no.	&model_name	Product - Customer Drw	sheet 1 of 4					

Prod File - REV C - 2009-06-09

PRODUCT NUMBER

51952-248\_\_  
NOTE 3



SECTION B-B  
SCALE 2:1

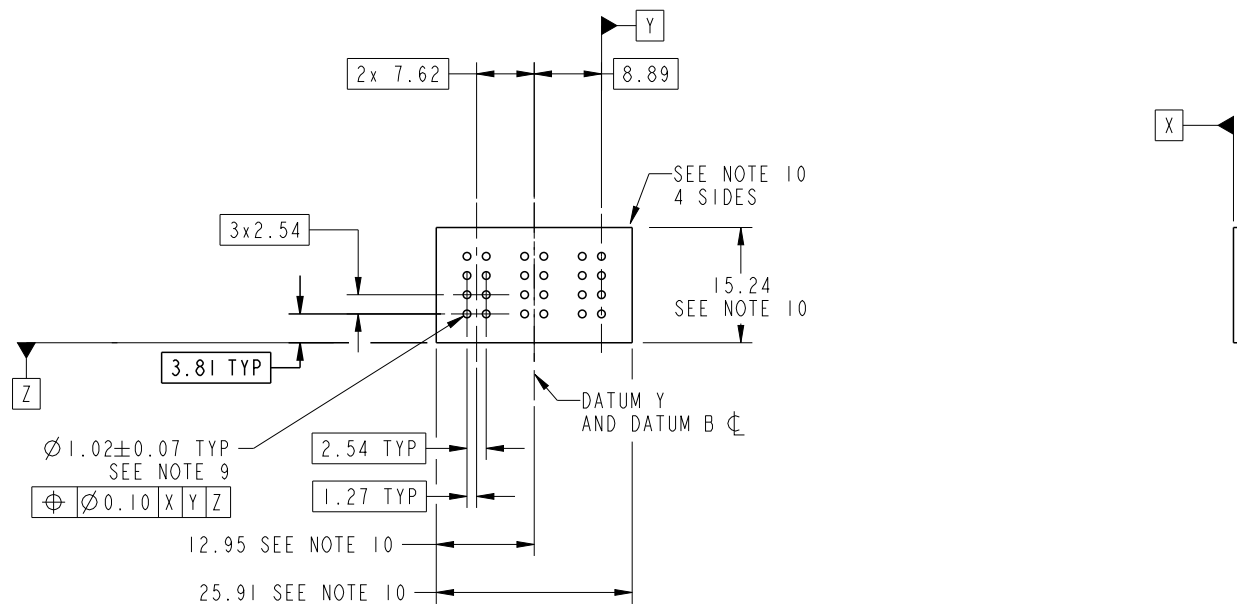


Copyright FCI.

dr	Ruan MT	2013/07/08	projection 	MM 	size	A4	scale	1:1
eng	Ruan MT	2013/09/15			ecn no	-		
chr	-	-			product family	PwrBlade	rel level	Released
appr	Pei-Ming Zheng	2013/09/15			title 3ACP VERTICAL SOLDER HEADER	dwg no 51952-248	rev A	
www.fci.com		cat. no.	&model_name	Product - Customer Drw	sheet 2 of 4			

PRODUCT NUMBER

51952-248\_\_  
NOTE 3



RECOMMENDED PCB LAYOUT

dr	Ruan MT	2013/07/08	projection 	MM 	size	A4	scale	1:1	
eng	Ruan MT	2013/09/15			ecn no	-			
chr	-	-			rel level	Released			
appr	Pei-Ming Zheng	2013/09/15	product family	PwrBlade					
	title	3ACP VERTICAL SOLDER HEADER			dwg no	51952-248		rev	A
www.fci.com	cat. no.	&model_name	Product - Customer Drw		sheet 3 of 4				

PRODUCT NUMBER

51952-248\_\_  
NOTE 3

NOTES:

1. DIMENSIONS AND TOLERANCES ARE IN ACCORDANCE WITH ASME Y14.5M, 1994 UNLESS OTHERWISE SPECIFIED.

CONNECTOR NOTES:

- ② HOUSING MATERIAL: UL 94 V-0 GLASS FILLED HIGH-TEMP THERMOPLASTIC  
POWER CONTACT MATERIAL: COPPER ALLOY  
SIGNAL PIN MATERIAL: COPPER ALLOY
  - 3. SEE ITEM 1 & 2 IN PRINT 10064183 FOR PLATING SPEC OF 51952-248 AND 51952-248LF RESPECTIVELY.
  - ④ MANUFACTURER'S NAME, DATE CODE AND OPTIONAL P/N TO APPEAR ON THIS SURFACE. THE MARK CAN BE OMITTED IF THERE IS NOT ENOUGH SPACE ON THIS SURFACE.
  - 5. PRODUCT SPECIFICATION GS-12-149.  
APPLICATION SPECIFICATION BUS-20-067.
  - 6. PACKAGED IN TRAYS.
- PCB NOTES:
- 7. ALL HOLE DIAMETERS ARE FINISHED HOLE SIZE.
  - 8. MOUNTING HOLES, WHERE APPLICABLE, ARE UNPLATED.

⑨  $\varnothing 1.151 \pm 0.025$  DRILLED HOLES PLATED WITH 0.008 MIN SnPb OR Sn OVER .001 [0.03] TO 0.08 Cu PLATING TO ACHIEVE  $\varnothing 1.02 \pm 0.07$  HOLE.

⑩ CONNECTOR KEEP-OUT ZONE.

dr	Ruan MT	2013/07/08	projection 	MM 	size	A4	scale	1:1
eng	Ruan MT	2013/09/15			ecn no	-		
chr	-	-			product family	PwrBlade	rel level	Released
appr	Pei-Ming Zheng	2013/09/15			title 3ACP VERTICAL SOLDER HEADER	dwg no 51952-248	rev A	
www.fci.com		cat. no.	&model_name	Product - Customer Drw	sheet 4 of 4			



Copyright FCI.