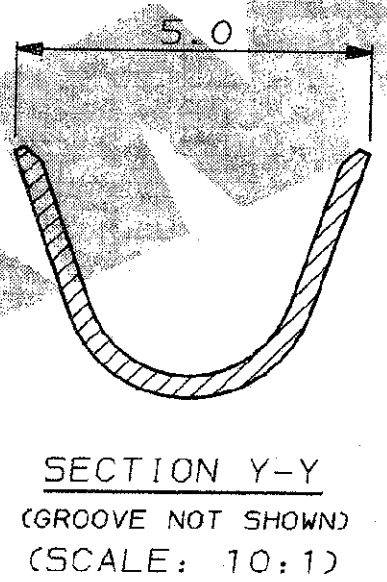
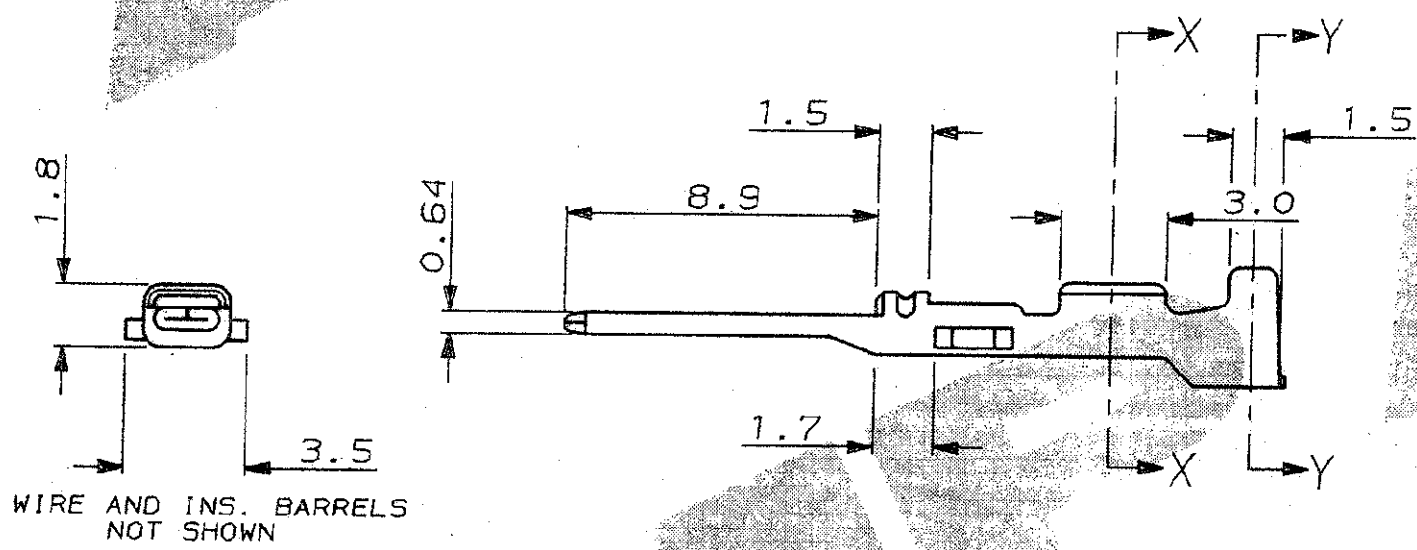
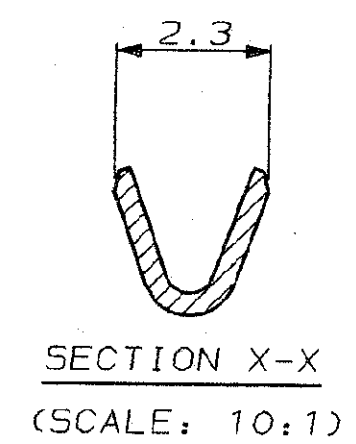
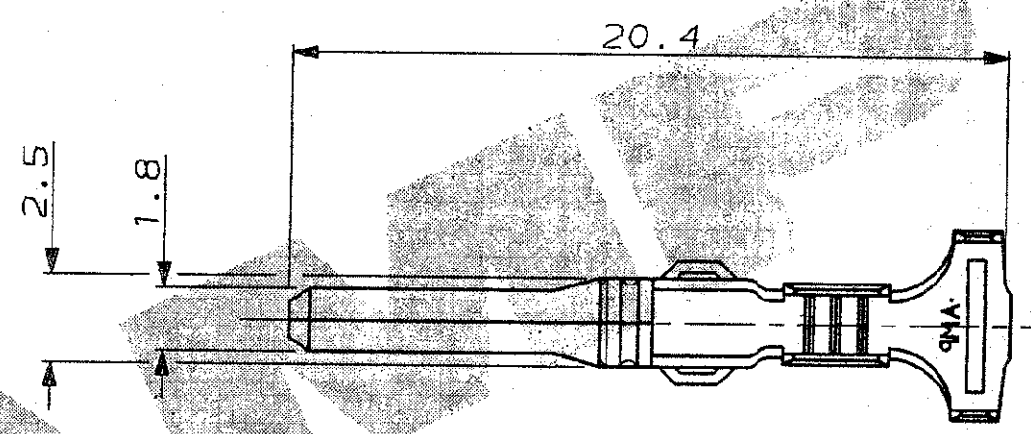
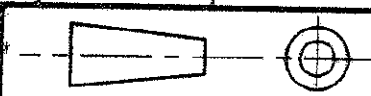


C.A.D. FILE CODE
5. C345809.A

DO NOT SCALE DIMENSIONS IN MM.



WIRE AND INS. BARRELS NOT SHOWN

WIRE RANGE: 0.2 TO 0.5 mm²
FOR SEALED AND UNSEALED APPLICATIONS, SINGLE WIRES ONLY MUST BE USED.

INSULATION RANGE:
FOR UNSEALED APPLICATIONS, WIRES OF 1.1 TO 1.8 mm INSULATION DIA. MAY BE USED.
FOR SEALED APPLICATIONS, ONLY WIRES OF 1.6 TO 1.8 mm INS. DIA. MAY BE USED WITH SEAL PN.345791-1.

PRE-TINNED		BRASS		345809-1	
FINISH		MATERIAL		PART NUMBER	
CUSTOMER DWG FOR REFERENCE ONLY		© COPYRIGHT 1993 BY AMP OF GREAT BRITAIN LTD. ALL INTERNATIONAL RIGHTS RESERVED. ALL PRODUCTS MAY BE COVERED BY BRITISH AND FOREIGN PATENTS AND/OR PATENTS PENDING.		RELEASED FOR PUBLICATION 02 APR 1993	
-		TOLERANCES UNLESS OTHERWISE STATED DEC ± 0.5 ANGLES ± 1°		DR. R.J.S. 2.4.93 CH. R.R. <i>Ruogoll</i> APP. J.P.	
-		NAME .070 TAB ECONOSEAL 3		AMP of Great Britain Ltd. TERMINAL HOUSE STANNORE MIDDY.	
A RELEASED 6800-004-01 TL D2-D1		SCALE	LOC	SIZE	DWG. No.
1 PRELIM. ISSUE E800-004-01-93 2.4.93		5/1	E	A3	C345809
REV MODIFICATION CHANGE No. DATE		REV		SHEET	
		A		1/1	