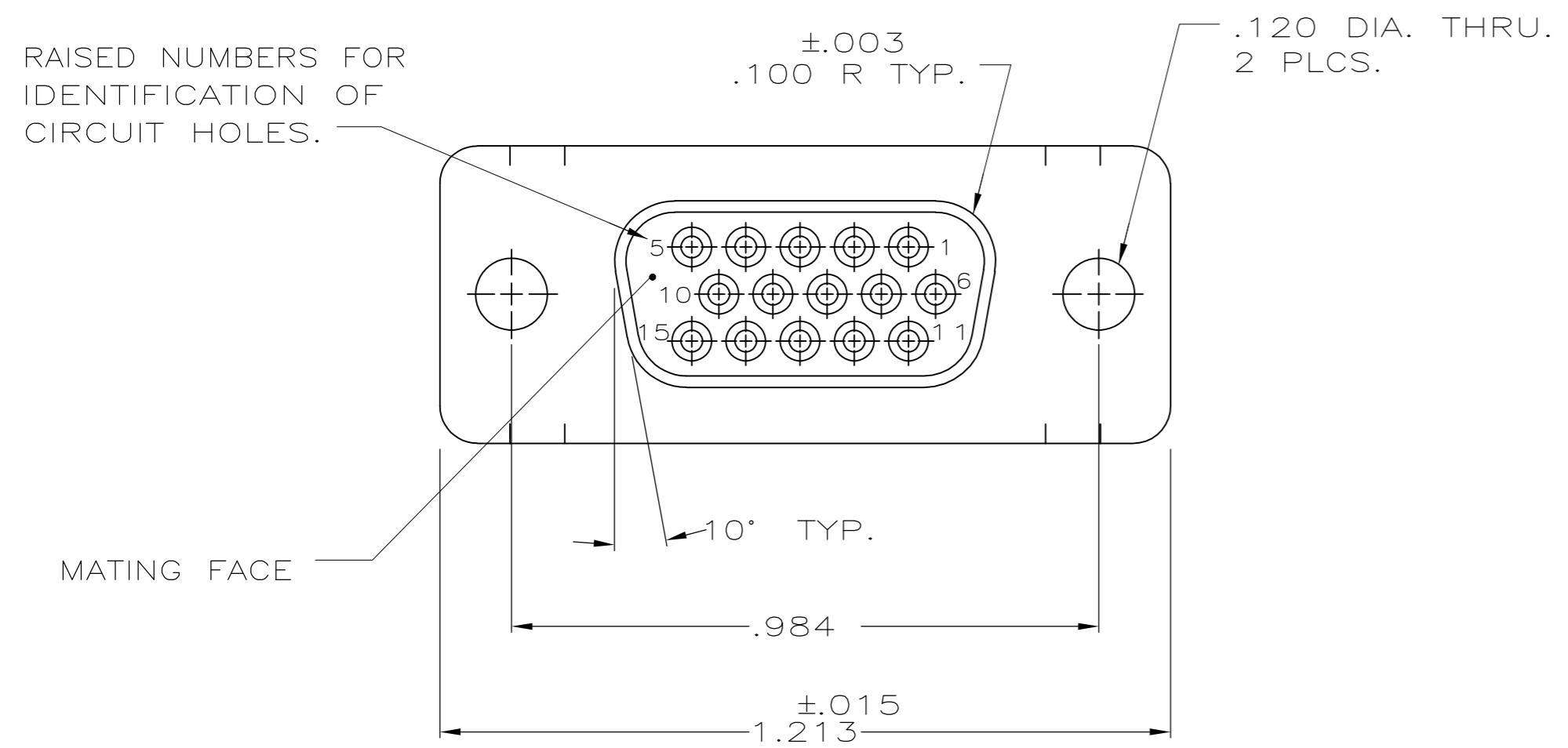
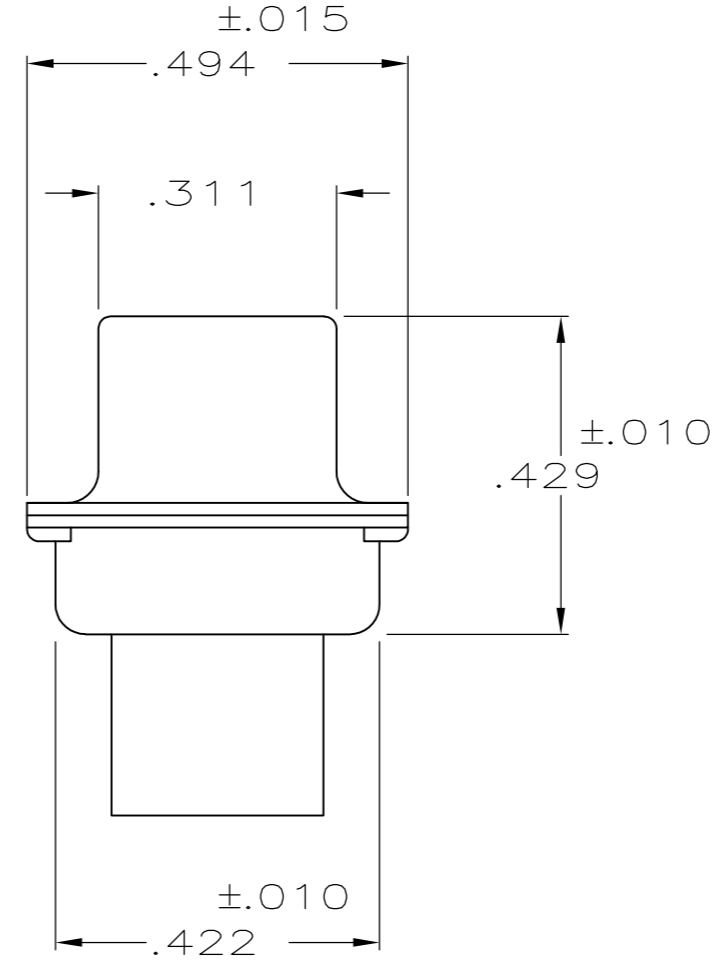
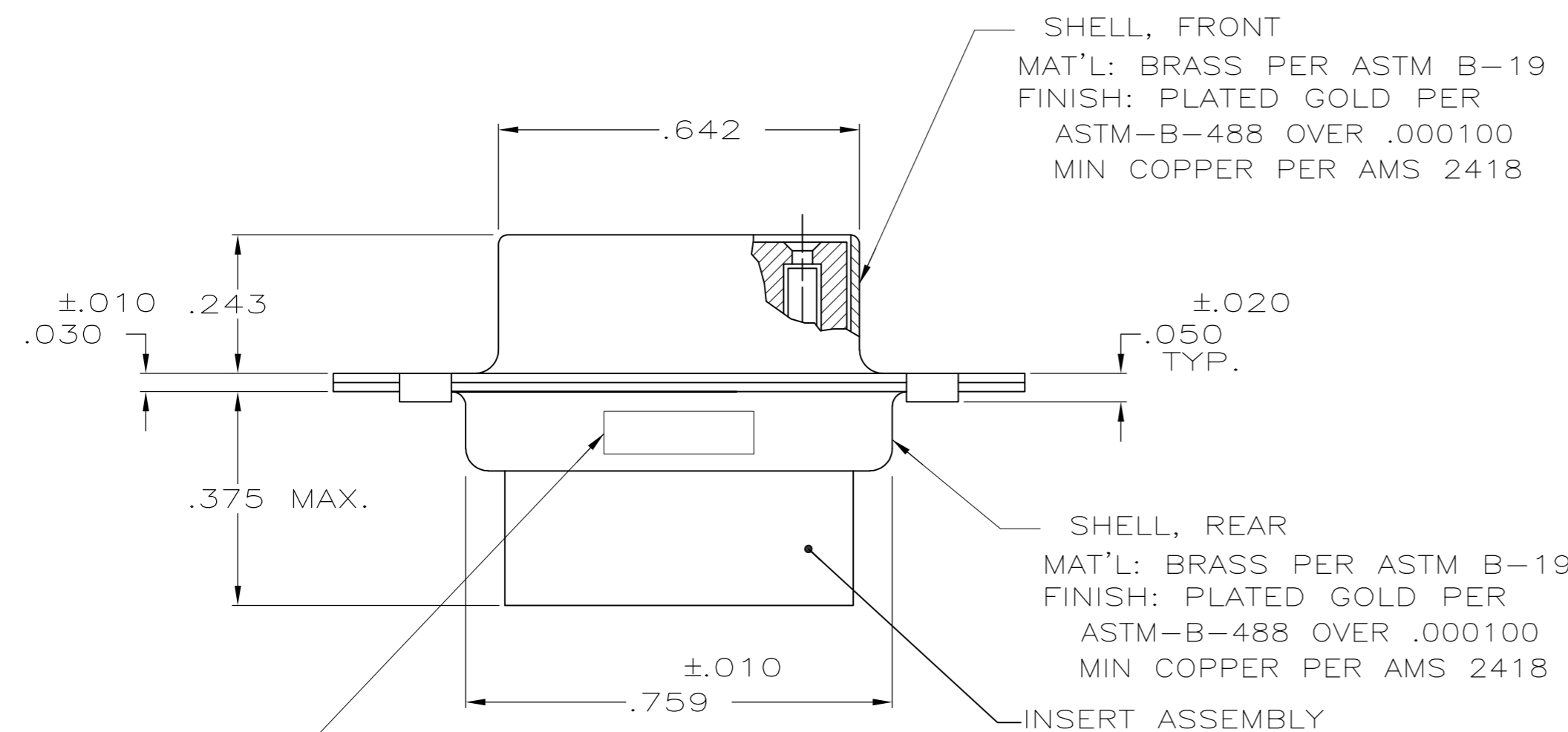


THIS DRAWING IS UNPUBLISHED. RELEASED FOR PUBLICATION
 © COPYRIGHT - By - ALL RIGHTS RESERVED.

REVISIONS				
P	LTR	DESCRIPTION	DATE	APVD
G		REVISED PER ECO-16-013269	29SEP16	RS CT



1. THIS RECEPTACLE WILL MATE WITH ANY SIZE 1,15 POSN.. PLUG IN AMPLIMITE SERIES.
 2. CONNECTOR SUPPLIED WITHOUT CONTACTS; SHOWN FOR ILLUSTRATION ONLY.
 3. BE-CU RETENTION CLIPS ARE INCLUDED IN INSERTS AND INSTALLED WITH TINES POINTING TOWARDS MATING FACE.
 4. OVERALL DIMENSIONS DO NOT INCLUDE RAISED CAVITY IDENTIFICATION.
 5. MARKING FAR SIDE REFERS TO WIDE SIDE OF KEYSTONE. NEAR SIDE REFERS TO NARROW SIDE OF KEYSTONE.
- △ 100% INSPECTION REQUIRED PER BOEING 1B01:
 A. VISUAL
 B. DWV
 C. IR
7. CUSTOMER REQUIRES SINGLE LOT DATE CODE.



CUSTOMER P/N (IF APPLICABLE) MARKED ON FAR SIDE. MANUFACTURER'S NAME, BRAND NAME OR LOGO AND DATE CODE MARKED ON NEAR SIDE

SHELL, FRONT
 MAT'L: BRASS PER ASTM B-19
 FINISH: PLATED GOLD PER ASTM-B-488 OVER .000100 MIN COPPER PER AMS 2418

SHELL, REAR
 MAT'L: BRASS PER ASTM B-19
 FINISH: PLATED GOLD PER ASTM-B-488 OVER .000100 MIN COPPER PER AMS 2418

INSERT ASSEMBLY
 MATL: POLYPHENEYLENE SULFIDE (PPS) GST-40F PER MIL-M-24519 OR GLASS FILLED POLYESTER, TPES013G30 PER ASTM D5927

△ 6	IB01-001RHW	1-211643-1
△ 6	IB01-001	211643-1
REMARKS	CUSTOMER PART NO	PART NO

THIS DRAWING IS A CONTROLLED DOCUMENT.		DWN 3-28-84 D.ERDMAN																				
DIMENSIONS: INCHES		CHK 4-26-84 B.YOHN																				
TOLERANCES UNLESS OTHERWISE SPECIFIED:		APVD 7-5-84 G.SACUNAS	NAME																			
<table border="1"> <tr><td>0 PLC</td><td>±</td><td>-</td></tr> <tr><td>1 PLC</td><td>±</td><td>-</td></tr> <tr><td>2 PLC</td><td>±</td><td>-</td></tr> <tr><td>3 PLC</td><td>±</td><td>.005</td></tr> <tr><td>4 PLC</td><td>±</td><td>-</td></tr> <tr><td>ANGLES</td><td>±</td><td>-</td></tr> </table>		0 PLC	±	-	1 PLC	±	-	2 PLC	±	-	3 PLC	±	.005	4 PLC	±	-	ANGLES	±	-	PRODUCT SPEC	RECEPTACLE ASS'Y, AMPLIMITE, 15 POSN., SIZE 1, SERIES 90, NON-MAGNETIC	
0 PLC	±	-																				
1 PLC	±	-																				
2 PLC	±	-																				
3 PLC	±	.005																				
4 PLC	±	-																				
ANGLES	±	-																				
MATERIAL SEE CALLOUT		FINISH SEE CALLOUT	APPLICATION SPEC	RESTRICTED TO																		
WEIGHT		SCALE NTS	SIZE A2	REV G																		
CUSTOMER DRAWING		WEIGHT	CAGE CODE 00779	SHEET 1 of 1																		
		SCALE NTS	DRAWING NO C-211643	REV G																		

211643