

A

B

C

D

A

B

C

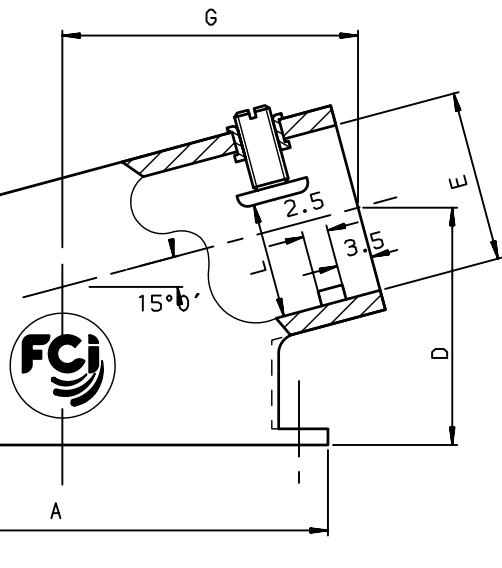
D

MATERIAL:
Thermoplastic

TEMPERATURE RANGE:
- Climatic category -55° / +125°

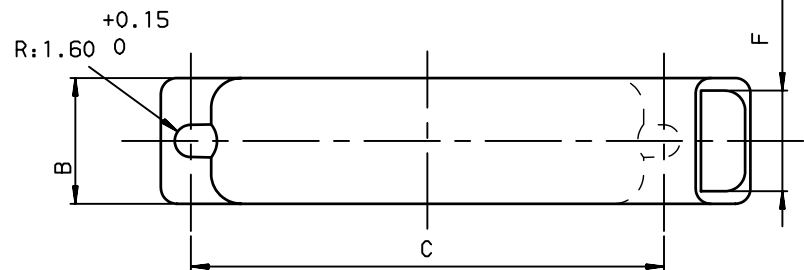
PACKAGING:
Per 100 pieces

COLOUR:
Black



WITH SCREW AND PLATE STRAIN RELIEF

Shell size	Number of contacts	A ^{+0.9} _{-0.2}	B ^{+0.10} ₀	C ^{±0.05}	D ^{±0.10}	E ^{±0.10}	F ^{±0.10}	G ^{±0.10}	L _{maxi}	L _{mini}	PART NUMBER
E	09	30.60	12.50	24.99	19.00	10.50	9.90	18.20	6.60	1.90	86303925ALF
A	15	38.90	12.50	33.32	20.60	12.50	9.90	22.80	8.60	3.90	86303926ALF
B	25	52.80	12.50	47.04	23.60	17.00	9.90	29.40	13.10	8.40	86303927ALF
C	37	69.10	12.50	63.50	29.00	24.00	9.90	37.00	20.10	8.30	86303928ALF
D	50	66.70	15.30	61.11	28.00	24.00	12.70	35.00	20.10	8.30	86303929ALF



NOTE1:RoHS INFORMATIONS

- The "LF" product meets European union Directives and other country regulations as described in GS-22-008.
- The product is not intended to be exposed to a manufacturing solder process.
- Plating: Zinc Cr3+, white color.
- Packaging spec: see GS-14-920.

European Views

www.fciconnect.com		surface ISO 1302 ✓	tolerance std ISO 406 ISO 1101	projection ⊕	mm
TOLERANCES UNLESS OTHERWISE SPECIFIED					
Dr	GOISNARD	2006/01/12	ANGULAR	size A3	Scale 2
Eng	PESSON	2006/01/12	LINEAR	ECN	LS09-0006
Chr	LEGARE	2006/01/12	0.xx' ±2'	Product family	D-SUB
Appr	LEGARE	2006/01/12	0.xxx ±0.1	Spec ref	-
POTTING PLASTIC HOODS right angle exit				dwg no C01-8655-1650	Rev. C
catalog no				CUSTOMER	sheet 1 of 1

rev	ecn no	dr	date
A	LS05-0123	LGO	2006/01/12
B	LS06-0095	LGO	2006/06/24
C	LS09-0006	MPE	2009/01/06
-	-	-	-
-	-	-	-
-	-	-	-
-	-	-	-

Copyright FCj.