

PART NUMBER	REV	FIRST USED
567956-1	A	854040-3

TERMINAL NAME: SPRING-BOX CRIMP TERMINAL					
AMP	MFG	VISIBLE PAD LTR	CRIMP DATA (NON-AMP TERM-CUST SPEC)	CRIMP HEIGHT	WIRE SIZE
286782	08-70-0072	A	.032 ±.002 [0.81 ±0.05mm]		24
		B	.030 ±.002 [0.76 ±0.05mm]		26
		C	.029 ±.002 [0.74 ±0.05mm]		28
		D	.027 ±.002 [0.69 ±0.05mm]		30
		CRIMP	SIZE	TYPE	RANGE
		WIRE	.042 [1.07mm]	F	30-24
		INSUL	.055 [1.40mm]	F	.054 MAX
WIRE STRIP LENGTH	TERM APPL SPEC	FEED	APPL INSTRUCTION	SET UP GAGE	LAYOUT
.109-.125	NONE	.200	SEE CUSTOMER MANUAL	NONE	L2201

SIM TO HDM NONE						
QTY	REV	U/M	DWG SIZE	PART NO	DESCRIPTION	ITEM NO
						70
						69
						68
						67
						66
						65
						64
						63
						62
						61
						60
						59
						58
						57
REF	-	B		694433-8	PAWL, FEED	56
						55
						54
						53
						52
						51
						50
						49
1	-	A		690602-6	CAM, PRE-FEED 1.62 STROKE	48
						47
						46
1	-	A		690191-1	PLUG, NYLON	45
1	-	C		455673-1	RAM	44
1	-	A		690125-1	WASHER, LAMINATED	43
1	-	A		690124-1	WASHER, RAM	42
1	-	A		7-21002-9	BOLT, CRIMPER (5/16x1.00)	41
1	-	A		23241-6	BALL, STEEL	40
1	-	A		690170-1	SPRING, COMPRESSION	39
1	-	C		690142-1	DISC, INSULATION	38
1	-	D		354777-1	WIRE DISC, PLASTIC	37
1	-	A		22480-5	WASHER, SPRING	36
1	-	B		690212-1	POST, RAM	35
						34
1	-	C		462544-1	PLATE, BASE SPECIAL	33
						32
1	-	B		462543-1	BLOCK, SCREW SPECIAL	31
1	-	B		455689-1	BLOCK, STRIP GUIDE ADJ	30
1	-	C		318042-1	STRIP GUIDE PLATE ASSY	29
1	-	C		1-455888-0	SPACER, FRONT SHEAR DEP	28
2	-	A		1-22284-0	SPRING, DRAG	27
1	-	B		690546-1	LEVER, DRAG RELEASE	26
1	-	B		240792-1	DRAG, TERMINAL	25
1	-	D		6-690504-4	GUIDE, STRIP (REAR)	24
1	-	A		690438-1	GUIDE, STRIP (FRONT)	23
						22
1	-	A		463756-1	GUIDE, SCRAP	21
						20
REF	-	C		462615-1	STRIPPER	19
1	-	B		904225-1	JAW ASSY	18
						17
						16
2	-	A		1-21989-4	SCR, SHLD	15
1	-	B		904274-1	DEPRESSOR	14
2	-	A		6-22281-3	SPRING, DEPRESSOR	13
1	-	A		5-22280-0	SPRING, SHEAR	12
1	-	B		1-690461-6	STOP, SHEAR (FRONT)	11
1	-	B		462548-1	HOLDER, SHEAR (FRONT) SP	10
1	-	B		462547-1	SHEAR, FLOAT (FRONT) SP	9
1	-	C		3-904132-0	ANVIL	8
						7
						6
1	-	A		904273-1	DEPRESSOR, SHEAR (FRONT) SP	5
1	-	B		2-238011-3	SPACER, BLOCK CRIMPER	4
1	-	C		5-683453-2	CRIMPER, INSULATION	3
1	-	C		455888-4	SPACER, CRIMPER	2
1	-	C		456401-5	CRIMPER, WIRE	1

QTY	REV	U/M	DWG SIZE	PART NO	DESCRIPTION	ITEM NO
2	-	C		7-354779-2	PIN, WIRE DISC (.3350)D	129
2	-	C		6-354779-8	PIN, WIRE DISC (.3330)C	128
2	-	C		8-354779-0	PIN, WIRE DISC (.3390)B	127
2	-	C		7-354779-3	PIN, WIRE DISC (.3355)A	126
1	-	A		986950-1	WASHER, FLAT PRECISION	125
1	-	A		217238-3	GENERAL INSTRUCTION PACKAGE	124
						123
						122
						121
1	-	B		690701-2	PLATE, SERIAL NO.	120
2	-	A		21899-2	WASHER, FLAT (#10) 5 G ADJ BLK	119
						118
2	-	A		21024-5	WASHER, LOCK (#10) ADJ BLOCK	117
						116
						115
2	-	A		21024-2	WASHER, LOCK (#4) FRONT STP GUIDE	114
REF	-	A		21024-4	WASHER, LOCK (#8) FEED FINGER	113
						112
REF	-	A		21024-4	WASHER, LOCK (#8) STRIPPER	111
						110
						109
						108
						107
						106
						105
1	-	A		21009-2	SCR, SKT 5ET (1/4-20x.25 LW) RAM	104
						103
						102
4	-	A		21017-2	SCR, DRIVE (#2x.19) ID PLATE	101
1	-	B		819347-1	PLATE, IDENTIFICATION	100
2	-	A		3-21002-0	SCR, BHC (10-32x.88) DRAG	99
1	-	A		22733-8	SCR, BHC (8-32x.38 LW) ANVIL	98
						97
1	-	A		3-21000-8	SCR, SHC (10-32x.88) MOUNTING	96
1	-	A		2-21002-7	SCR, BHC (10-32x.50) 5G ADJ BLK	95
4	-	A		2-21002-2	SCR, BHC (8-32x.50) SHEAR-TERM SUP	94
						93
						92
1	-	A		1-21002-7	SCR, SHC (6-32x.50) CAM	91
2	-	A		2-21000-7	SCR, SHC (8-32x.50) SCR BLK	90
						89
						88
						87
REF	-	A		2-22603-0	SCR, HEX HD (8-32x.31) FEED FINGER	86
2	-	A		1-21000-3	SCR, SHC (4-40x.25) F ST GUIDE	85
REF	-	A		22733-9	SCR, BHC (8-32x.50 SL) STRIPPER	84
						83
						82
1	-	A		3-22603-1	SCR, HEX (10-32x.38) 5G ADJ BL	81
						80
						79
						78
2	-	B		463310-7	BLADE, STRIPPING (#24)	77
						76
						75
1	-	A		690603-1	SPRING, ASSIST	74
1	-	A		23030-1	SCR, SKT CAP (6-32x.25) CP DSC	73
						72
						71

QTY	REV	U/M	DWG SIZE	PART NO	DESCRIPTION	ITEM NO
-1	U/M					

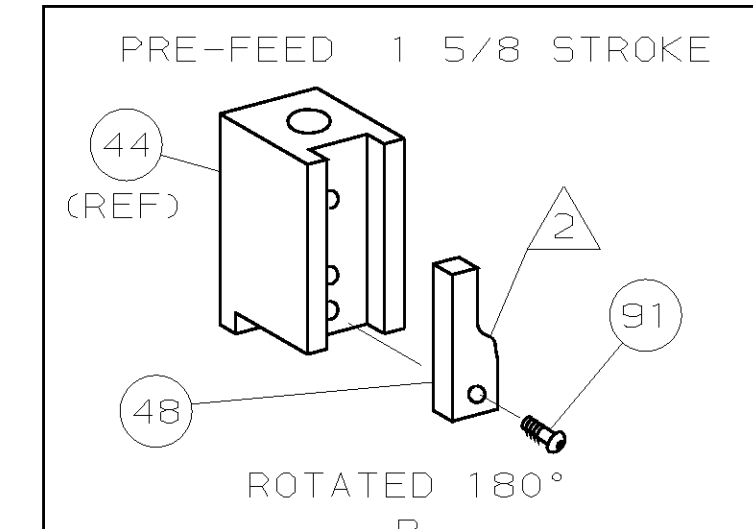
PARTS LIST						
QTY	REV	U/M	DWG SIZE	PART NO	DESCRIPTION	ITEM NO
-1	U/M					

REVISION OF EACH ASSY NO (WHEN BLANK, USE DWG REVISION)						
QTY	REV	U/M	DWG SIZE	PART NO	DESCRIPTION	ITEM NO
-1	U/M					

THIS DRAWING IS A CONTROLLED DOCUMENT.

THIS DRAWING IS UNRELEASED. RELEASE FOR PUBLICATION BY AMP INCORPORATED. ALL RIGHTS RESERVED. COPYRIGHT 19

LOC A
DTST 66



- 1 RECOMMENDED SPARE PARTS.
- 2 GREASE LIGHTLY.
- 3 ITEM NOT SHOWN