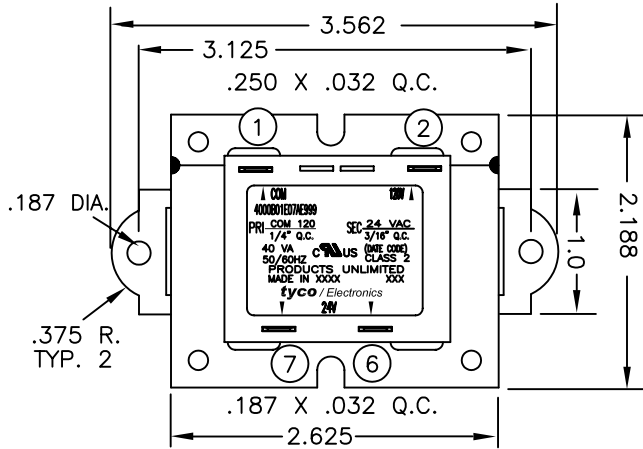


THIS DRAWING IS UNPUBLISHED. RELEASED FOR PUBLICATION  
 © COPYRIGHT BY TYCO ELECTRONICS CORPORATION. ALL RIGHTS RESERVED.

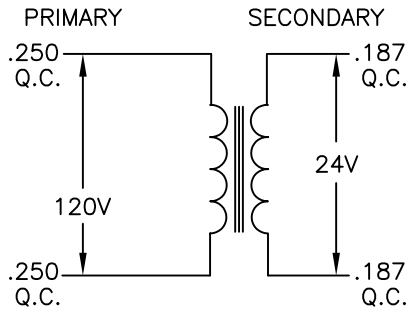
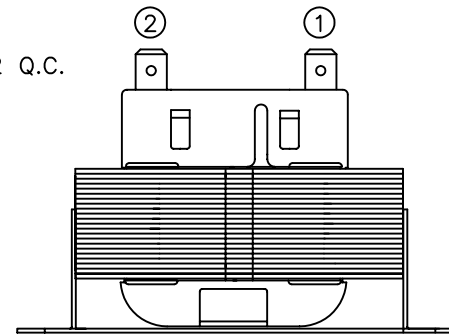
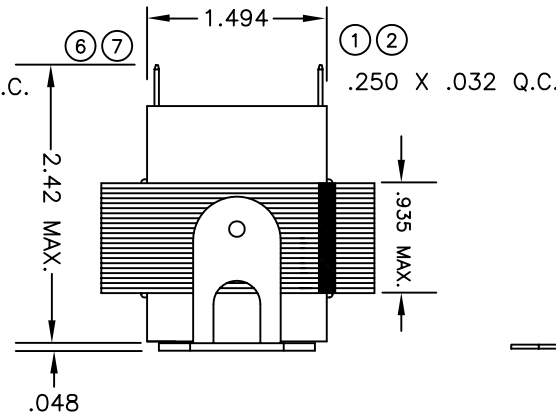
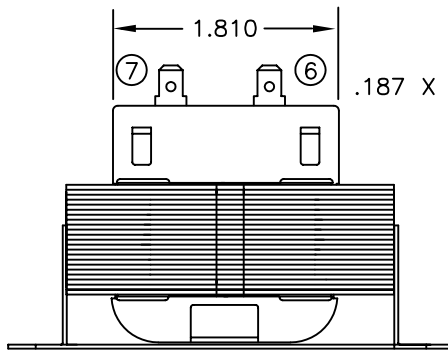
| LOC | DIST | REVISIONS   |              |         |       |
|-----|------|-------------|--------------|---------|-------|
| P   | LTR  | DESCRIPTION | DATE         | DWN     | APVD  |
| GZ  | 00   | 0           | 0720-0346-04 | 02JUN04 | KH HT |



| PRIMARY            |      |      |   |   |   | SECONDARY          |      |      |   |   |
|--------------------|------|------|---|---|---|--------------------|------|------|---|---|
| TERM NO.           | 1    | 2    | 3 | 4 | 5 | TERM NO.           | 6    | 7    | 8 | 9 |
| VOLTAGE            | COM  | 120  |   |   |   | VOLTAGE            | 24   | VAC  |   |   |
| TERMINAL WIDTH     | .250 | .250 |   |   |   | TERMINAL WIDTH     | .187 | .187 |   |   |
| TERMINAL THICKNESS | .032 | .032 |   |   |   | TERMINAL THICKNESS | .032 | .032 |   |   |

NOTES:  
 1. DIMENSIONS FOR REFERENCE ONLY.  
 2. WINDING PROTECTION-INHERENTLY LIMITING

CERTIFICATION:UL/CUL FILE NO E87824



SCHMATIC

TYCO PART NUMBER  
 6-1611471-8

| DIMENSIONS: INCHES |        | TOLERANCES UNLESS OTHERWISE SPECIFIED: |        | APVD             |         | NAME  |           |
|--------------------|--------|--|--------|------------------|---------|---|-----------|
| 0 PLC              | ± -    | 0                                      | ± -    | K.H.             | 02JUN04 | Tyco Electronics Corporation<br>Harrisburg, PA 17105-3608 |           |
| 1 PLC              | ± -    | 1                                      | ± -    | CHK              | -       | Products<br>www.tycoelectronics.com                       |           |
| 2 PLC              | ± .010 | 2                                      | ± .010 | PRODUCT SPEC     | -       | TRANSFORMER OUTLINE<br>P.U. STOCK                         |           |
| 3 PLC              | ± .005 | 3                                      | ± .005 | APPLICATION SPEC | -       | SIZE  | CAGE CODE |
| 4 PLC              | ± -    | 4                                      | ± -    | WEIGHT           | -       | A3  | 00779     |
| ANGLES             | ± -    | FINISH                                 |        | DRAWING NO       |         | C=4000B01E07AE999   |           |
| MATERIAL           | -      | -                                      |        | RESTRICTED TO    |         | -   |           |
| CUSTOMER DRAWING   |        |  |        | SCALE            | NTS     | SHEET   | 1 OF 1    |
|                    |        |  |        | REV              | 0       |   |           |