

**Table of Contents**

2	Block Diagram
3	Notes
4	DSC MC56F8400 Controller
5	MC56F8400 - 100 LQFP ZIF Socket
6	USB/OSBDM/SERIAL/POWER
7	Peripherals & Motor Connect
8	Tower Elevator Connectors

**Revisions**

Rev	Description	Date	Approved
A	Release to A085 (Production)	30-Aug-11	
B	Release to A085 (Production) (Net Changes VDDA & VSSA) Replaced 344-01243 with 312-80253 Replaced 750-77266 with 750-77260	6-Sep-11	DK

		<b>Microcontroller Solutions Group</b> 6501 William Cannon Drive West Austin, TX 78735-8598	
<small>This document contains information proprietary to Freescale Semiconductor and shall not be used for engineering design, procurement or manufacture in whole or in part without the express written permission of Freescale Semiconductor.</small>			
Designer: J.Antony (L&T)		ICAP Classification: FOP: FUK: X PUB:	
Drawn by: J.Antony (L&T)		<b>TWR-MC56F8400</b>	
<b>Table of Contents/Revisions</b>			
Approved: Hubbard Marilyn	Size C	Document Number SCH-27259 PDF: SPF-27259	Rev B
Date: Tuesday, September 06, 2011		Sheet 1 of 8	

1. Unless Otherwise Specified:

- All resistors are in ohms
- All capacitors are in uF
- All voltages are DC
- All polarized capacitors are aluminum electrolytic

2. Interrupted lines coded with the same letter or letter combinations are electrically connected.

3. Device type number is for reference only. The number varies with the manufacturer.

4. Special signal usage:

- \_B Denotes - Active-Low Signal
- <> or [] Denotes - Vectored Signals

5. Interpret diagram in accordance with American National Standards Institute specifications, current revision, with the exception of logic block symbology.



ICAP Classification:		FCP:	FIUC: X	PUBI:
Drawing Title:		<b>TWR-MC56F8400</b>		
Page Title:		<b>Notes</b>		
Size	Document Number	SCH-27259 PDF: SPF-27259		Rev
C				B
Date:	Wednesday, August 31, 2011	Sheet	2	of 8

Sheet 7

OSBDM Circuit

USB Mini B Connector

MC9S08JM60

Voltage Translation

OSBDM/JTAG Header

Sheet 7

UART

JM60 Translators

JM60 Source Selectors

Sheets 4, 5

Power Supply Circuits

VSSA/VDDA filter

Sheet 6

LEDs

Sheet 6

MIC

Sheet 6

IRQ

Sheet 4

MC56F8400

Sheet 4

Crystal

Sheet 6

CAN  
Transceiver  
Header

Sheet 6

Motor Control Board  
Connector

Auxiliary Connector

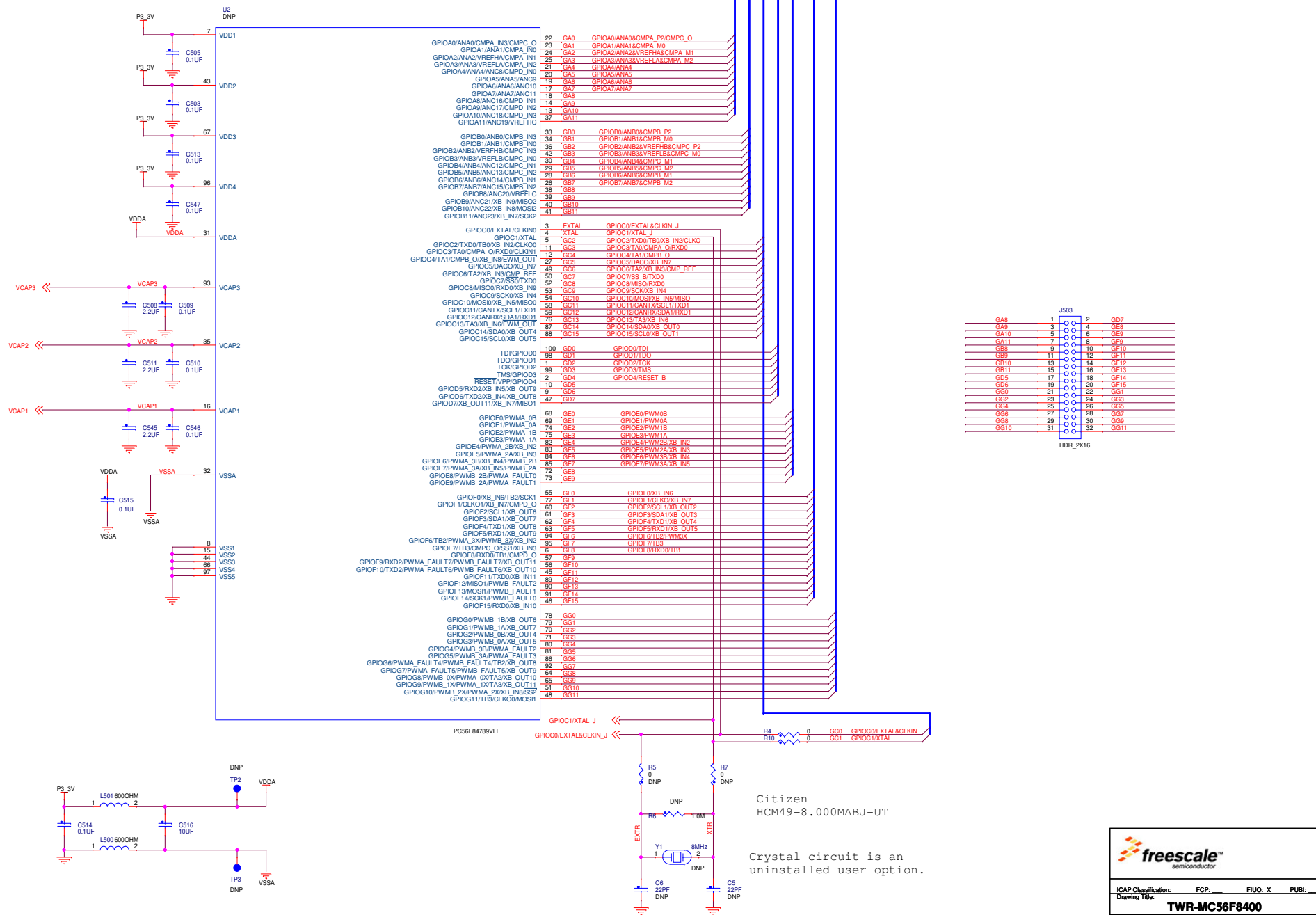
Sheet 6

Thermistors  
Headers & LP Filters

Sheet 8

Elevator Connectors

# DSC MC56F8400 Controller



GA8	1	GD7
GA9	3	GE8
GA10	5	GE9
GA11	7	GF0
GB8	9	GF10
GB9	11	GF11
GB10	13	GF12
GB11	15	GF13
GD5	17	GF14
GD6	19	GF15
GD0	21	GG1
GD1	23	GG2
GD2	25	GG3
GD3	27	GG4
GD4	29	GG5
GD6	31	GG6
GD7	33	GG7
GD8	35	GG8
GD9	37	GG9
GD10	39	GG10
GD11	41	GG11

Citizen  
HCM49-8.000MABJ-UT

Crystal circuit is an  
uninstalled user option.

**freescale**  
semiconductor

ICAP Classification: FCP: FIUC: X PUBL:

Drawing Title: **TWR-MC56F8400**

Page Title: **DSC MC56F8400 Controller**

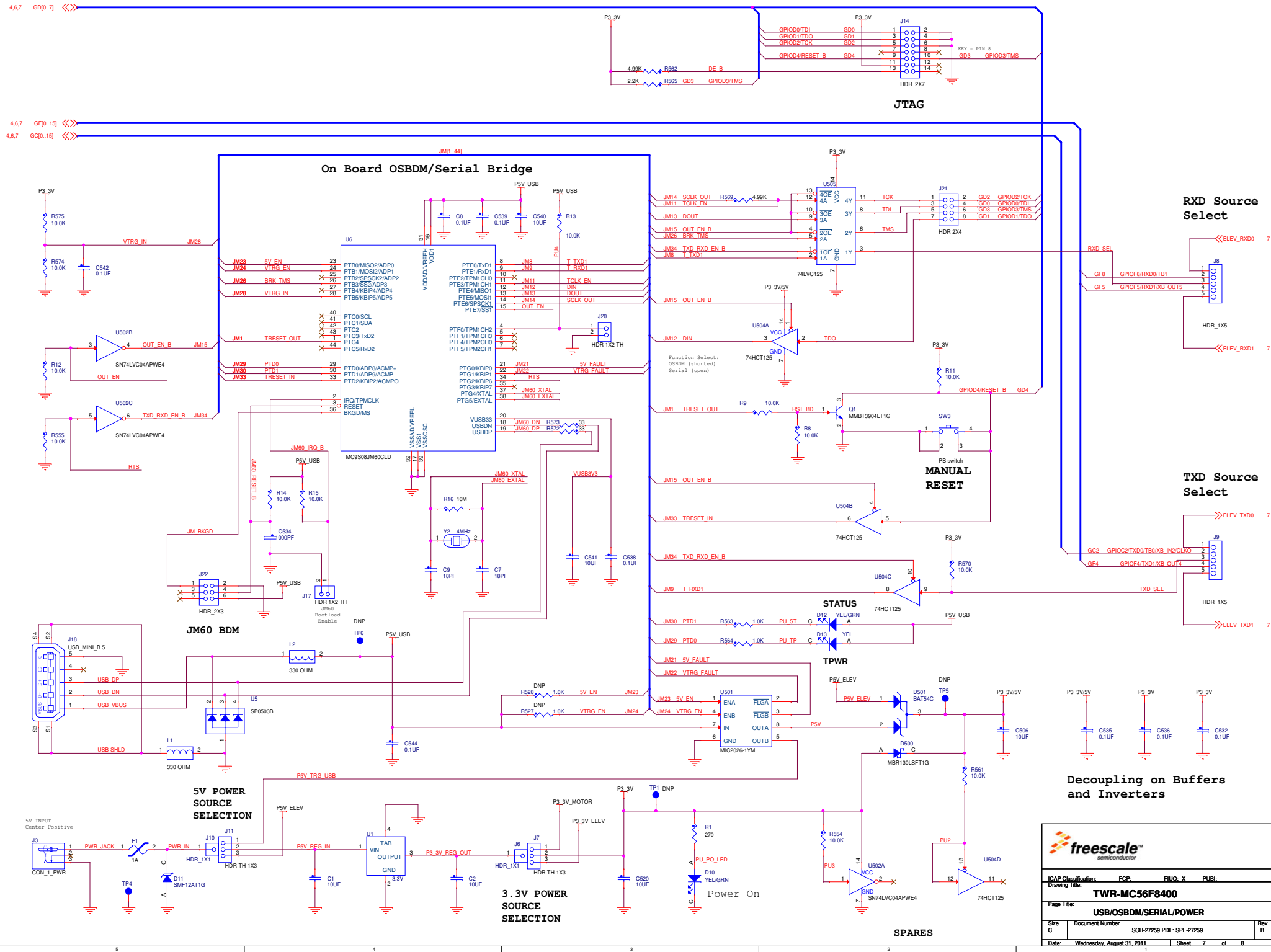
Size C Document Number SCH-2759 PDF: SPF-2759 Rev B

Date: Tuesday, September 06, 2011 Sheet 4 of 8

The DSC footprint and the ZIF socket are concentric on the board. Boards are built with a surface mounted DCS or with the DSC in the socket - not both.







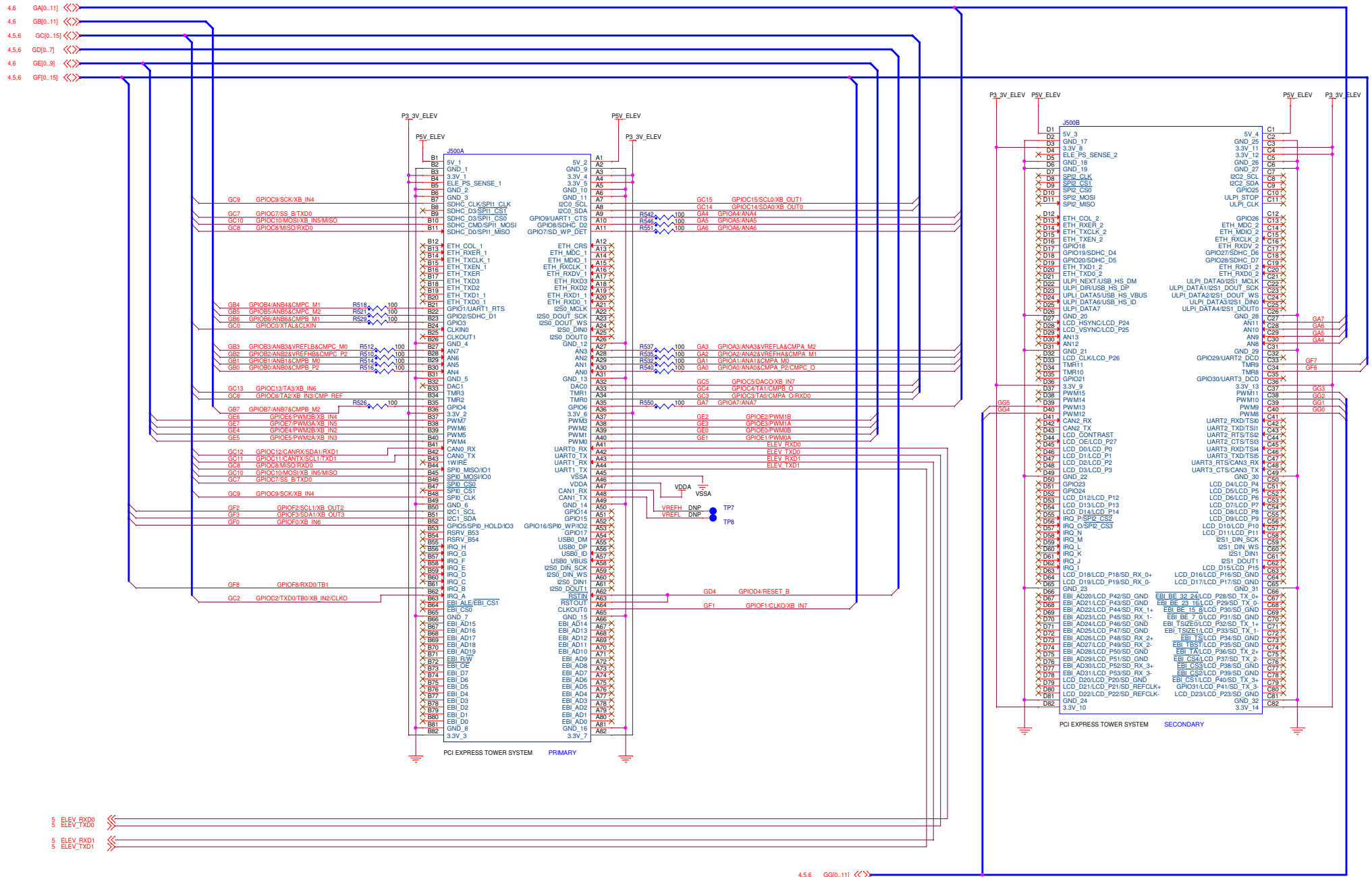
**freescale**  
semiconductor

ICAP Classification: FCP: FUC: X PUB: \_\_\_\_\_  
Drawing Title: **TWR-MC56F8400**

Page Title: **USB/OSBDM/SERIAL/POWER**

Size C	Document Number SCH-27259 PDF: SPF-27259	Rev B
--------	--	-------

Date: Wednesday, August 31, 2011 Sheet 7 of 8



ICAP Classification: FCP: FIUC: X PUB:

Drawing Title: **TWR-MC56F8400**

Page Title: **Tower Elevator Connectors**

Size C Document Number SCH-27259 PDF: SPF-27259 Rev B

Date: Wednesday, August 31, 2011 Sheet 8 of 8