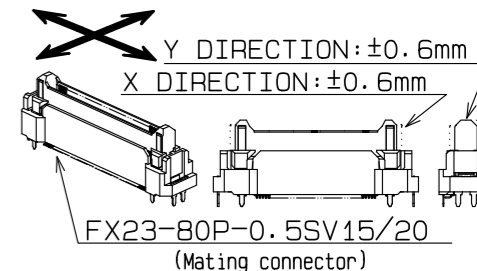
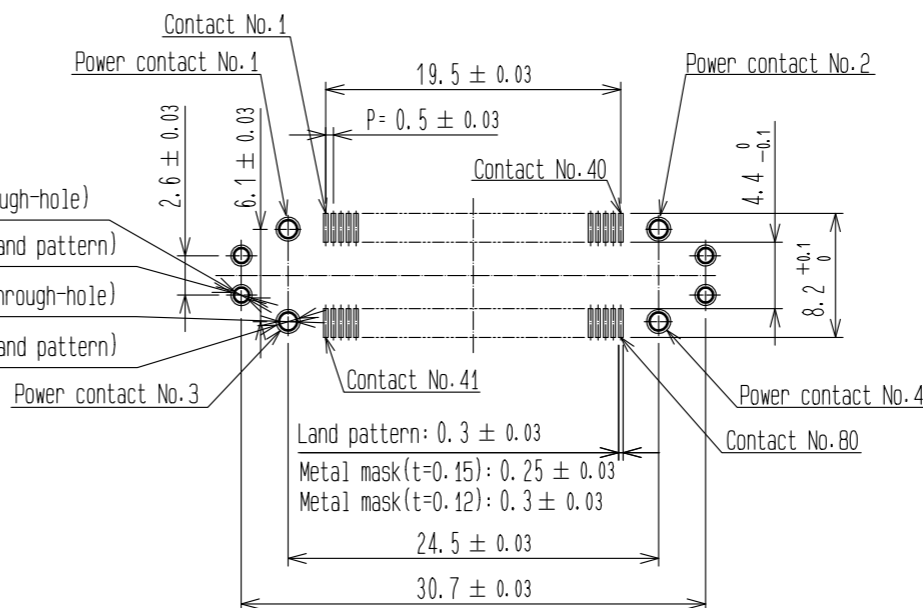
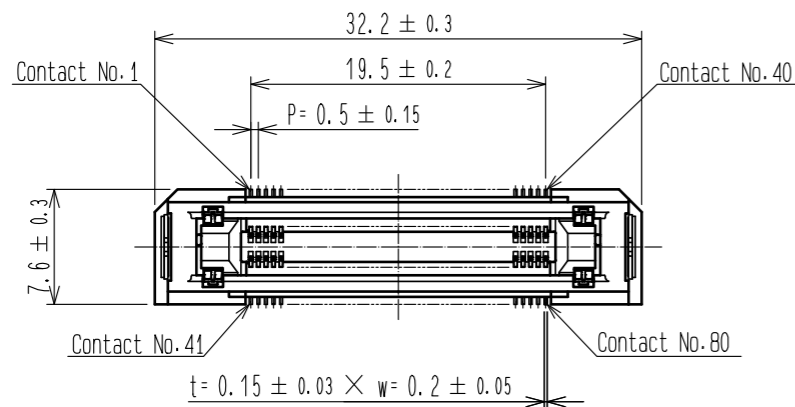


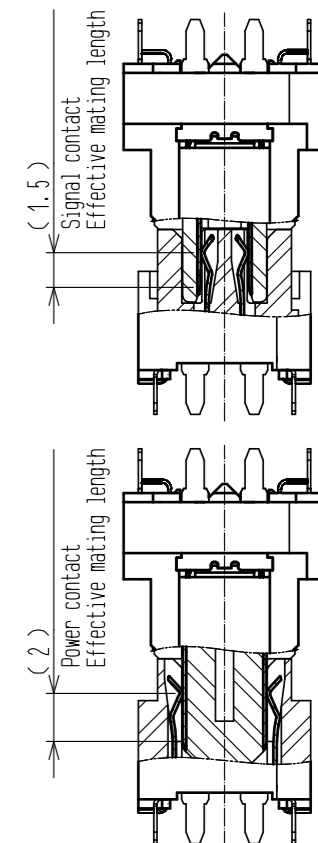
RECOMMENDED LAND PATTERN DIMENSION OF PCB

△ (PCB THICKNESS: t=1.6mm)

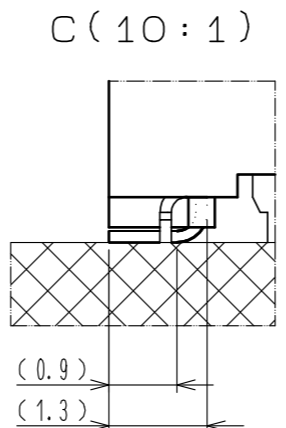
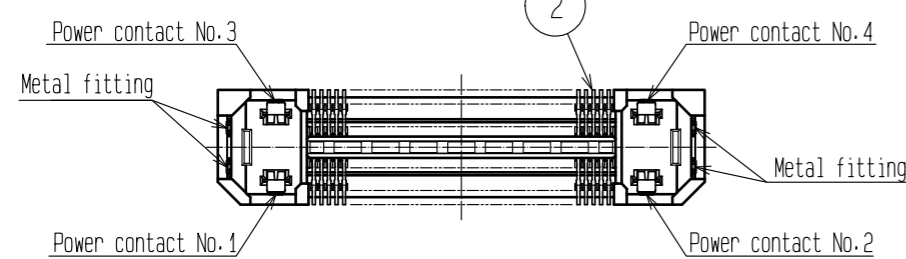
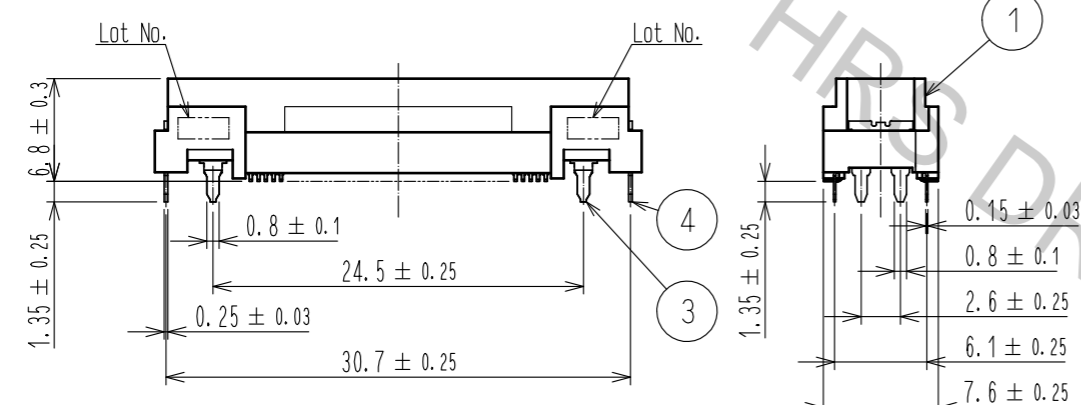
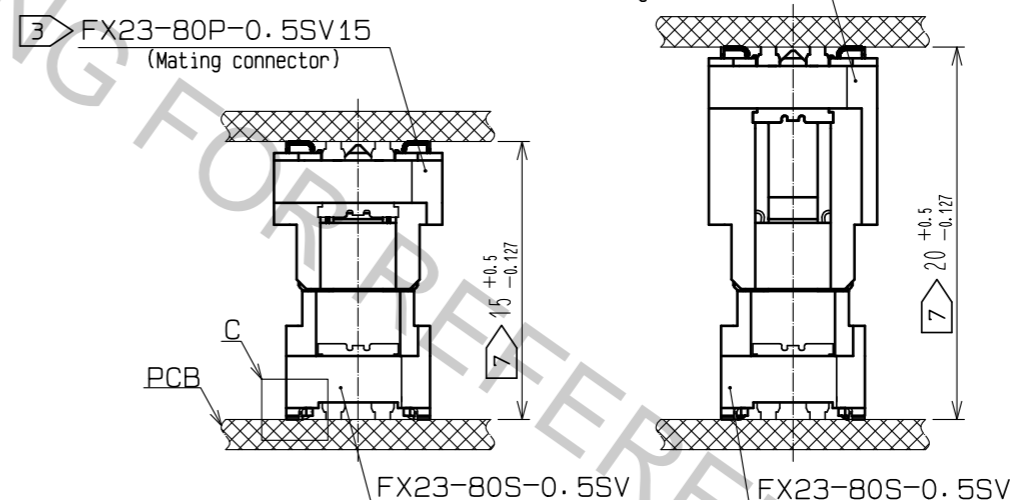
③ FLOATING RANGE



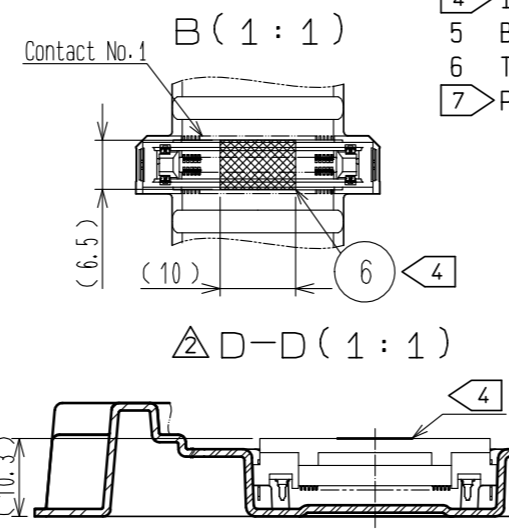
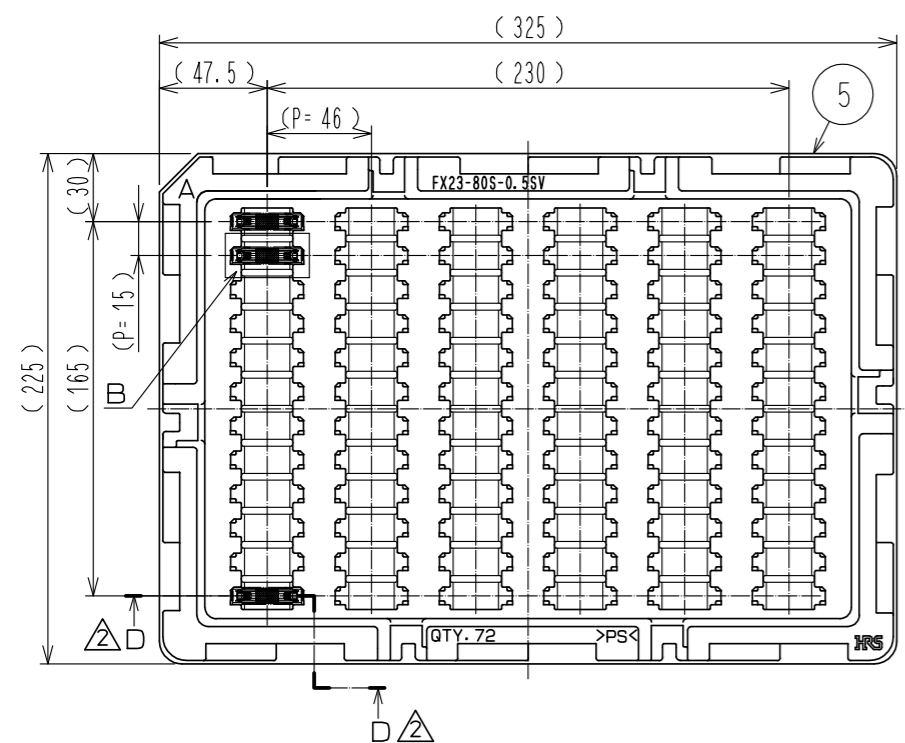
CROSS SECTION OF MATING (No scale)



PCB DISTANCE (No scale)



② DRAWING FOR PACKING (No scale)



- Lead CO-Planarity is 0.1mm MAX.
- This is packaged in tray. (72pcs/tray)
- Floating range of this connector is ±0.6mm MAX.
- It shows the vacuum pickup area. Remove the mylar tape before mating connectors.
- Blemish and hit mark can be occurred through out the manufacturing process which doesn't affect quality level.
- The dimensions in parentheses are for references.
- Please use the connectors within the specified PCB distance.

2	COPPER ALLOY	CONTACT AREA: GOLD 0.1 μm LEAD AREA: GOLD 0.03 μm UNDER PLATING: NICKEL 1.3 μm	6	POLYIMIDE	(TAPE FOR VACUUM PICKUP)
1	LCP	BLACK UL94V-0	5	POLYSTYRENE	(TRAY)
			4	BRASS	LEAD AREA: TIN-PLATING 3 μm UNDER PLATING: NICKEL 1 μm
			3	COPPER ALLOY	CONTACT AREA: GOLD 0.1 μm LEAD AREA: TIN-PLATING 1 μm UNDER PLATING: NICKEL 1.3 μm
NO.	MATERIAL	FINISH . REMARKS	NO.	MATERIAL	FINISH . REMARKS
UNITS	mm	SCALE 2 : 1	COUNT	3	DESCRIPTION OF REVISIONS
					DESIGNED TS.00NO
					CHECKED KN. SHIBUYA
					DATE 16.08.24
APPROVED : HS. OKAWA 14.09.02			DRAWING NO. EDC3-353554-00		
CHECKED : KN. SHIBUYA 14.09.02			PART NO. FX23-80S-0.5SV		
DESIGNED : TS.00NO 14.09.02			CODE NO. CL573-3204-8-00		
DRAWN : TS.00NO 14.09.02					