

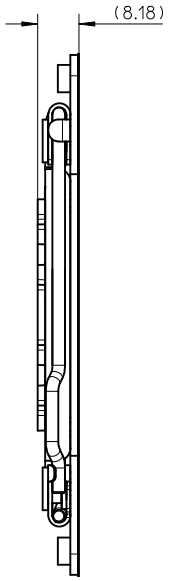
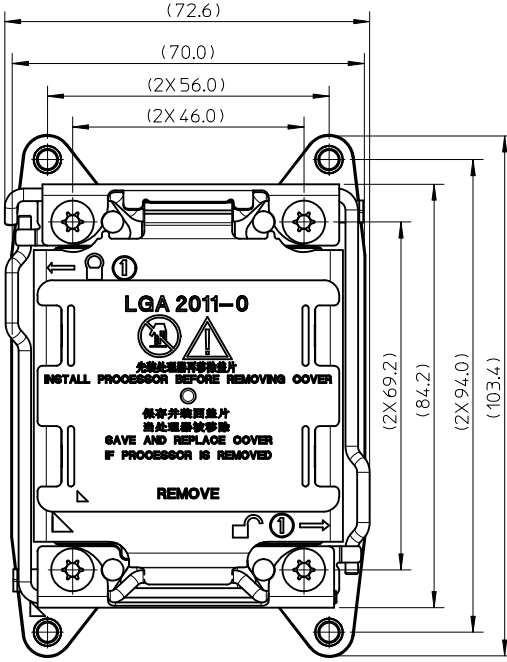
- NOTES:
 1. DATE CODE
 2. DIMENSION A : ILM HEIGHT DEFINE

STATUS	HEIGHT
PRE-ASSEMBLY	7.55±0.30
AFTER-ASSEMBLY	7.23±0.30

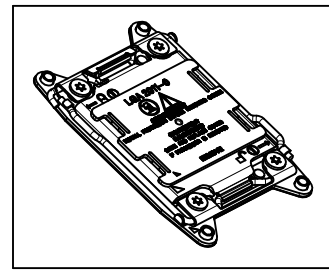
3. THE PARTS 105142**** COMPLIANT TO RoHS DIRECTIVE 2002/95/EC AND ELV 2000/53/EC.

TOP	COMPONENT				
	ITEM NO	Q'TY	PART NO.	DESCRIPTION	MATERIAL
LGA 2011 ILM ASSEMBLY (NARROW) PART NO: 105142-9000	1	4	105143-8001	LGA2011 CAPTIVE NUT, SHOULDER	STEEL WITH NICKEL PLATING
	2	1	105143-9001	LGA2011 ILM ACTIVE LEVER	STAINLESS STEEL
	3	4	105143-8003	LGA2011 ILM CAPTIVE NUT COLLAR, SHOULDER	STEEL WITH NICKEL PLATING
	4	1	105143-8004	LGA2011 ILM CLEVIS, ACTIVE	STAINLESS STEEL
	5	1	105143-8005	LGA2011 ILM CLEVIS, HINGE	STAINLESS STEEL
	6	1	105143-9003	LGA2011 ILM FRAME	STEEL WITH NICKEL PLATING
	7	1	105143-9004	LGA2011 ILM FRAME INSULATOR	HALOGEN FREE POLYCARBONATE SHEET
	8	1	105143-9002	LGA2011 ILM HINGE LEVER	STAINLESS STEEL
	9	4	105143-8010	LGA 2011 ILM HS STUD	STEEL WITH NICKEL PLATING
	10	1	105143-8011	LGA2011 ILM LOADPLATE	STAINLESS STEEL
	11	4	105143-8012	LGA2011 ILM RIVET	STAINLESS STEEL

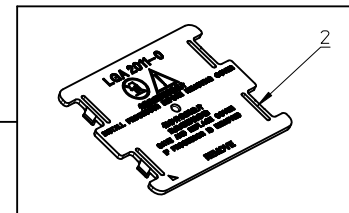
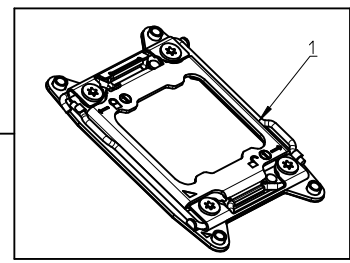
PROPOSED EC NO: SH2012-0197 DRWN: YXZHENG 2011/05/13 CHKD: CHYD APPR: AYIN 2012/06/22	QUALITY SYMBOLS	GENERAL TOLERANCES (UNLESS SPECIFIED)	DIMENSION STYLE	SCALE	DESIGN UNITS	THIRD ANGLE PROJECTION
	$F_A=0$	mm INCH	MM ONLY	1:1	METRIC	
	$F_C=0$	4 PLACES ± --- ± ---	DRAWN BY YXZHENG	DATE 2011/01/26	TITLE	ILM AND BACK PLATE DRAWING FOR LGA 2011 SOCKET (NARROW)
	$F_P=0$	3 PLACES ± --- ± ---	CHECKED BY	DATE	APPROVED BY AYIN	DATE 2011/03/18
	2 PLACES ± 0.20 ± ---	1 PLACE ± 0.30 ± ---	ANGULAR ± 3 °		MATERIAL NO.	DOCUMENT NO.
	DRAFT WHERE APPLICABLE MUST REMAIN WITHIN DIMENSIONS		SIZE A3	SEE TABLE	MOLEX	MOLEX INCORPORATED
			THIS DRAWING CONTAINS INFORMATION THAT IS PROPRIETARY TO MOLEX INCORPORATED AND SHOULD NOT BE USED WITHOUT WRITTEN PERMISSION			SHEET NO. 1 OF 5



LGA 2011 ILM (NARROW) ASSEMBLY WITH ILM COVER
PART NO: 105142-9100



LGA 2011 ILM (NARROW) ASSEMBLY
PART NO: 105142-9000

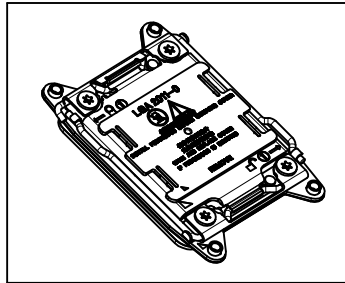


LGA 2011 ILM COVER
PART NO: 105143-8006

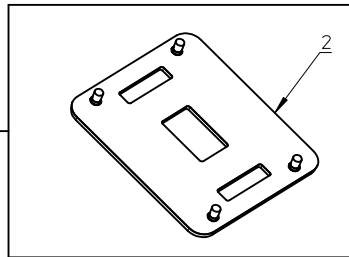
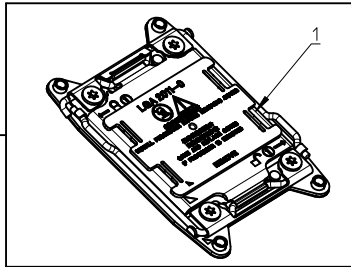
Q'T	ITEM NO	PART NO.	DESCRIPTION
1	TOP	105142-9100	LGA 2011 ILM (NARROW) ASSEMBLY WITH ILM COVER
1	1	105142-9000	LGA2011 ILM (NARROW) ASSEMBLY
1	2	105143-8006	LGA2011 ILM COVER (PC/ABS)

PROPOSED EC NO: SH2012-0197 DRWN: YXZHENG CHKD: APPR: AYIN	2011/05/13 2012/06/22	DESCRIPTION QUALITY SYMBOLS F _A =0 F _C =0 F _P =0	GENERAL TOLERANCES (UNLESS SPECIFIED)		DIMENSION STYLE MM ONLY		SCALE 1:1	DESIGN UNITS METRIC	THIRD ANGLE PROJECTION		
			4 PLACES	± ---	± ---	DRAWN BY YXZHENG	DATE 2011/01/26	TITLE ILM AND BACK PLATE DRAWING FOR LGA 2011 SOCKET (NARROW)			
			3 PLACES	± ---	± ---	CHECKED BY	DATE				
2 PLACES	± 0.20	± ---	APPROVED BY AYIN		DATE 2011/03/18	MOLEX INCORPORATED DOCUMENT NO. SD-105142-900					
1 PLACE	± 0.30	± ---	MATERIAL NO.								
ANGULAR ± 3 °			DRAFT WHERE APPLICABLE MUST REMAIN WITHIN DIMENSIONS		SEE TABLE		SHEET NO. 2 OF 5				
A			REV		SIZE A3		THIS DRAWING CONTAINS INFORMATION THAT IS PROPRIETARY TO MOLEX INCORPORATED AND SHOULD NOT BE USED WITHOUT WRITTEN PERMISSION				

LGA 2011 ILM (NARROW) ASSEMBLY
WITH ILM COVER AND BACK
PLATE ASSEMBLY
PART NO: 105142-9300



LGA 2011 ILM (NARROW) ASSEMBLY
WITH ILM COVER
PART NO: 105142-9100



LGA 2011 BACK PLATE ASSEMBLY
PART NO: 105143-7000

Q'T	ITEM NO	PART NO.	DESCRIPTION
1	TOP	105142-9300	LGA 2011 ILM (NARROW) ASSEMBLY WITH ILM COVER AND BACK PLATE ASSEMBLY
1	1	105142-9100	LGA2011 ILM (NARROW) ASSEMBLY WITH ILM COVER
1	2	105143-7000	LGA2011 BACK PLATE ASSEMBLY

PROPOSED EC NO: SH2012-0197 DRWN: YXZHENG CHKD: APPR: AYIN	2011/05/13 2012/06/22	DESCRIPTION QUALITY SYMBOLS $F_A=0$ $F_G=0$ $F_P=0$	GENERAL TOLERANCES (UNLESS SPECIFIED)	DIMENSION STYLE MM ONLY	SCALE 1:2	DESIGN UNITS METRIC	THIRD ANGLE PROJECTION
	4 PLACES ± --- ± --- 3 PLACES ± --- ± --- 2 PLACES ± 0.20 ± --- 1 PLACE ± 0.30 ± ---	DRAWN BY YXZHENG	DATE 2011/01/26	TITLE ILM AND BACK PLATE DRAWING FOR LGA 2011 SOCKET (NARROW)			
	ANGULAR ± 3 °	APPROVED BY AYIN	DATE 2011/03/18	MOLEX INCORPORATED			
	DRAFT WHERE APPLICABLE MUST REMAIN WITHIN DIMENSIONS	MATERIAL NO. SEE TABLE	DOCUMENT NO. SD-105142-900	SHEET NO. 4 OF 5			

10 9 8 7 6 5 4 3 2 1

F

E

D

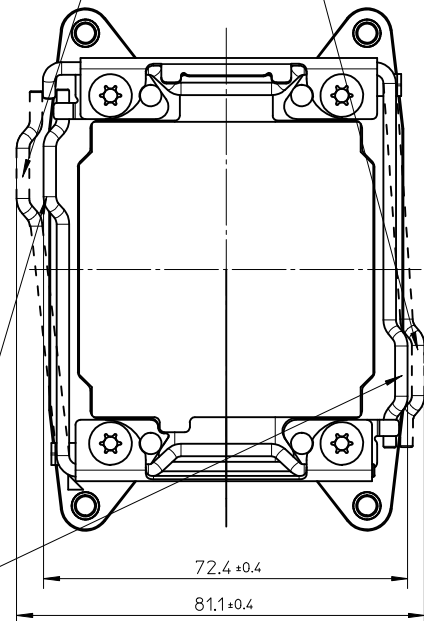
C

B

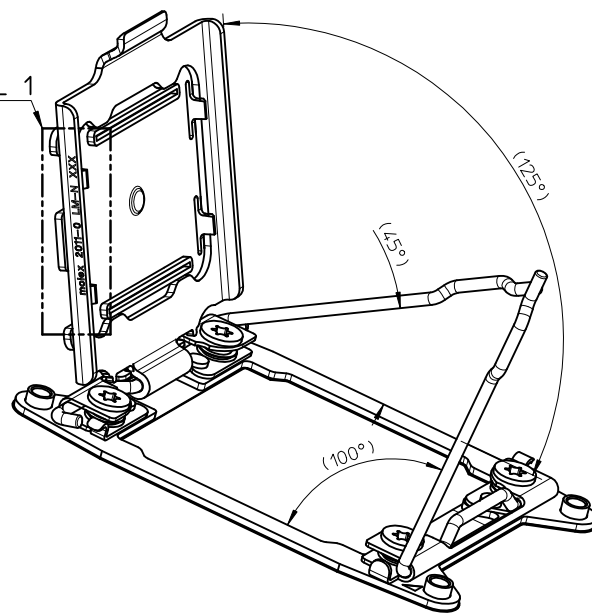
A

LEVER OPEN POSITION

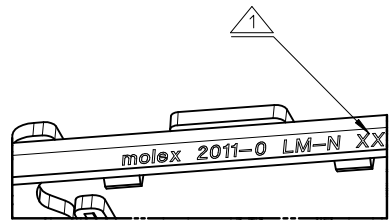
LEVER LOCK POSITION



DETAIL 1



ILM OPEN ANGLE FOR REFERENCE ONLY



DETAIL 1

PROPOSED EC NO: SH2012-0197 DRWN: YXZHENG 2011/05/13 CHKD: CHKD: APPR: AYIN 2012/06/22	DESCRIPTION REV	QUALITY SYMBOLS	GENERAL TOLERANCES (UNLESS SPECIFIED)	DIMENSION STYLE MM ONLY	SCALE 1:1	DESIGN UNITS METRIC	THIRD ANGLE PROJECTION																
		$\nabla_{\sqrt{3}}=0$ $\nabla_{\sqrt{2}}=0$ $\nabla_{\sqrt{1}}=0$	<table border="1"> <thead> <tr> <th></th> <th>mm</th> <th>INCH</th> </tr> </thead> <tbody> <tr> <td>4 PLACES</td> <td>± ---</td> <td>± ---</td> </tr> <tr> <td>3 PLACES</td> <td>± ---</td> <td>± ---</td> </tr> <tr> <td>2 PLACES</td> <td>± 0.20</td> <td>± ---</td> </tr> <tr> <td>1 PLACE</td> <td>± 0.30</td> <td>± ---</td> </tr> </tbody> </table>		mm	INCH	4 PLACES	± ---	± ---	3 PLACES	± ---	± ---	2 PLACES	± 0.20	± ---	1 PLACE	± 0.30	± ---	DRAWN BY YXZHENG DATE 2011/01/26 CHECKED BY DATE	TITLE	ILM AND BACK PLATE DRAWING FOR LGA 2011 SOCKET (NARROW)		
			mm	INCH																			
		4 PLACES	± ---	± ---																			
3 PLACES	± ---	± ---																					
2 PLACES	± 0.20	± ---																					
1 PLACE	± 0.30	± ---																					
APPROVED BY AYIN DATE 2011/03/18	ANGULAR ± 3 °		MATERIAL NO. SEE TABLE	DOCUMENT NO. SD-105142-900	MOLEX INCORPORATED		SHEET NO. 5 OF 5																
DRAFT WHERE APPLICABLE MUST REMAIN WITHIN DIMENSIONS		THIS DRAWING CONTAINS INFORMATION THAT IS PROPRIETARY TO MOLEX INCORPORATED AND SHOULD NOT BE USED WITHOUT WRITTEN PERMISSION																					

9 8 7 6 5 4 3 2 1