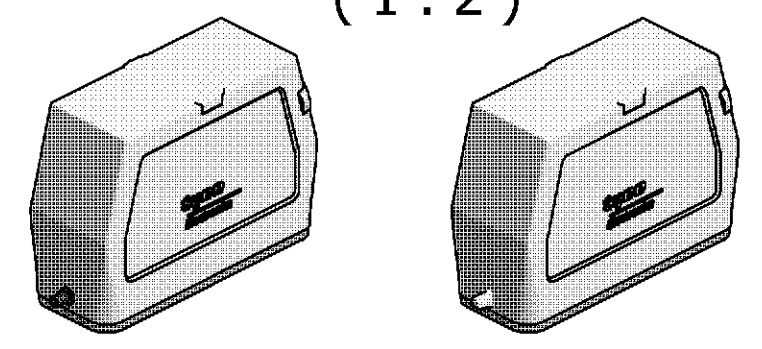


NOTES

- 1 PACKAGING QUANTITY: 5 PIECES PER BOX
- 2 MATERIAL: HOUSING: ALUMINIUM DIECASTING ALLOY
SEALS: NEOPRENE
- 3 SURFACE: ALUMINIUM OXIDE + VARNISH BLACK
-GREY / BLACK / WITHOUT VARNISH
- 4 VARNISH ON THE INSIDE NOT NECESSARY

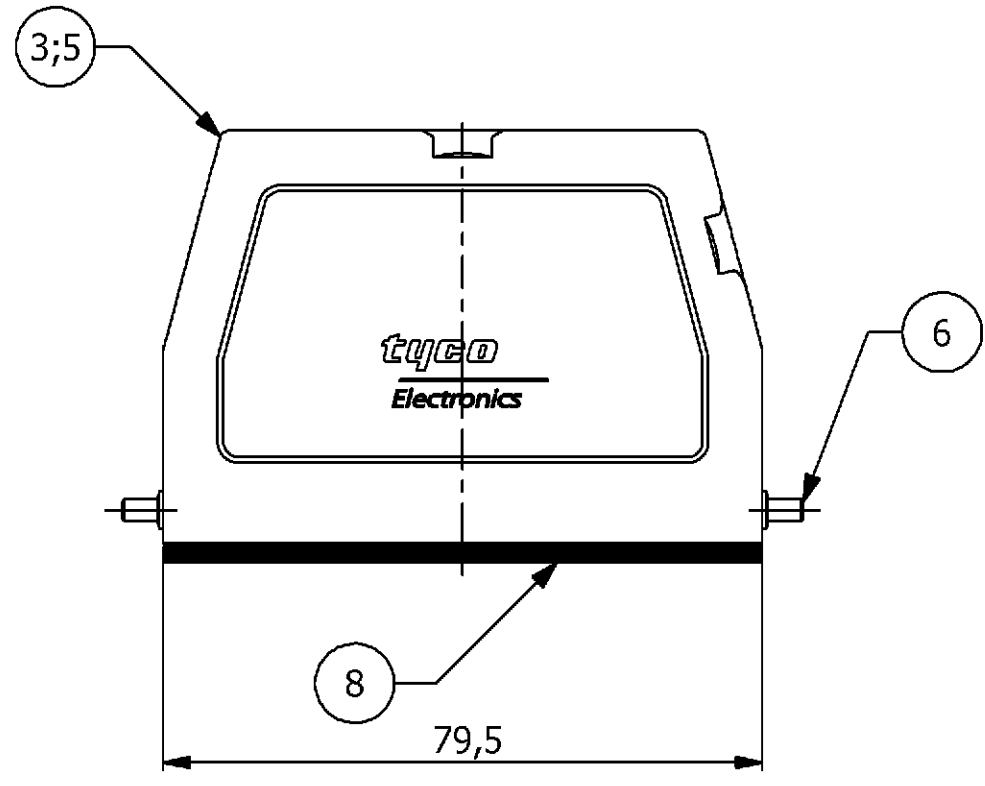
(1:2)



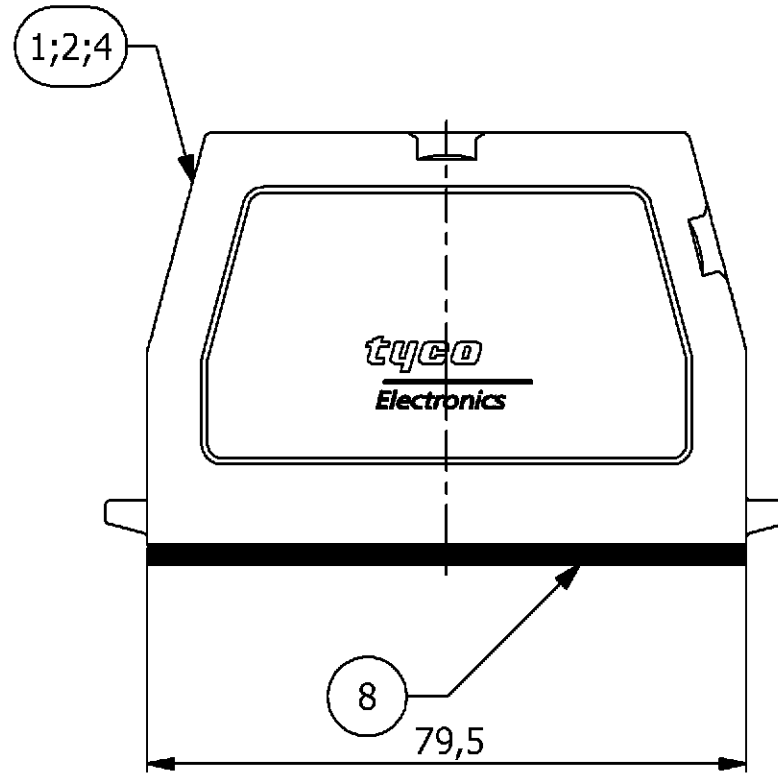
PN 0-3 & 2-7

PN 0-1,0-2 & 1-7

2-7	1-7	0-3	0-2	0-1	DESCRIPTION	MATERIAL	SURFACE	COLOR	ITEM NO.	REMARKS
1	1	1	1	1	Profile Seal	Neoprene	-	Black	7	Bg5
2	-	2	-	-	Clip Bolt	V2A / Steel	Blank / Even	-	6	-
1	-	-	-	-	HA Hood	Aluminium	Aluminium oxide	Black	5	Pg16
-	1	-	-	-	HA Hood	Aluminium	-	Grey	4	Pg16
-	-	1	-	-	HA Hood	Aluminium	-	No Varnish	3	Pg16
-	-	-	1	-	HA Hood	Aluminium	-	Black	2	Pg16
-	-	-	-	1	HA Hood	Aluminium	-	Grey	1	Without Pg Hole
ORDERING TEXT										
HA.16.ST										
HA.16.STS.1.16.G										
HA.16.STS.1.16.G										
HA.16.STS.1.16.G										
HA-K.16.STS.1.16.G										



PN 0-3 & 2-7 as shown



PN 0-1,0-2 & 1-7 as shown

THIS DRAWING IS A CONTROLLED DOCUMENT FOR AMP INCORPORATED. IT IS SUBJECT TO CHANGE AND THE CONTROLLING ENGINEERING ORGANIZATION SHOULD BE CONTACTED FOR THE LATEST REVISION. DIESSES ZEICHNUNGSDOKUMENT WIRD DURCH AMP INCORPORATED KONTROLLIERT. ÄNDERUNGEN, DIE DEM TECHNISCHEN FORTSCHRITT DIENEN, SIND VORBEHALTEN. DEN JEWELIGS LETZTGÜLTIGEN ÄNDERUNGSSTAND ERFAHREN SIE AUF ANFRAGE.		DWN P.BENNUR 2/24/2006	tyco Electronics	Tyco / Electronics AMP GmbH D - 53819 Neunkirchen	
DIMENSIONS: DIMENSIONEN: mm		CHK R.SRINIVAS 2/24/2006		NAME HOOD HA.16.STS.1.16.G	
		APVD T.SCHNURPFEL 2/24/2006	DRAWING NO. ZEICHNUNGS-NR.		
		PRODUCT SPEC. PRODUKTSPEZ. 108-74009	SIZE A3		
MATERIAL		APPLICATION SPEC. VERARBEITUNGSSPEZ. 114-74001	CAGE CODE 00779	RESTRICTED TO NUR FUER	
FINISH / OBERFLÄECHE / FARBE		WEIGHT GEWICHT	1102136		REV. B1
2		3		CUSTOMER DRAWING / KUNDENZEICHNUNG	
		SCALE MASSSTAB	1:1	SHEET BLATT	1 OF VON 1