

- NOTES:
1. MATERIALS:
HOUSING - LIQUID CRYSTAL POLYMER (LCP)
GLASS FILLED, UL94V-0, BLACK
SIGNAL PIN AND SHIELD - COPPER ALLOY
 2. FINISHES:
CONTACT AREA - SELECTIVE GOLD (Au)
PCB TAILS - SELECTIVE MATTE TIN (Sn)
 3. THIS PART CONFORMS TO MOLEX PRODUCT SPECIFICATION PS-74031-999.
 4. FOR MIXED CONTACT LENGTH CONTACT MOLEX FOR AVAILABILITY.
 5. FOR SPECIFIC MATERIAL NUMBERS AND MATING INFORMATION REFER TO SHEET 2.
 6. PACKAGE PER PK-74058-003.
 7. ASSEMBLY WILL BE MARKED WITH P/N AND DATE CODE WITH LASER MARK ON SIDE OF HOUSING
 8. MAPS (MOLEX ADVANCED PLATING SYSTEM).

THE PRIMARY CARTON WITH A LABEL STATING "ELV AND RoHS COMPLAINT" IS LEAD FREE. CARTONS WITHOUT THIS LABEL MAY CONTAIN LEAD.

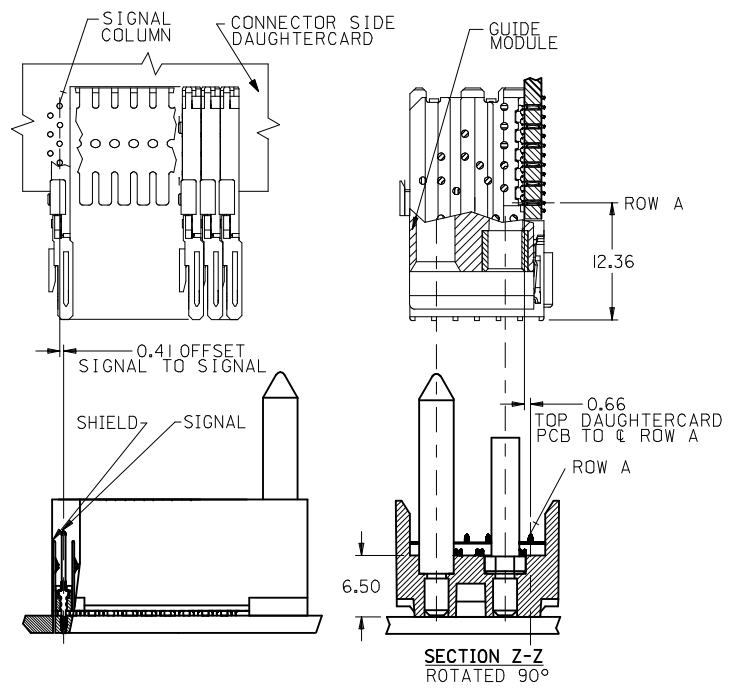
LEAD FREE CONVERSION IEC NO: UCP2013-0687 DRWNGES 2012/08/22 CHYKH/WOLFE 2012/11/27 APPR:SMILLER 2012/12/14	QUALITY SYMBOLS	GENERAL TOLERANCES (UNLESS SPECIFIED)		DIMENSION STYLE MM ONLY		SCALE 3:1	DESIGN UNITS METRIC	THIRD ANGLE PROJECTION
	▽=0	mm	INCH	DRAWN BY JJONIAK	DATE 2008/07/09	TITLE VHDM H-SERIES 6 ROW BACKPLANE SHIELD END		
	▽=0	4 PLACES ± --- ± ---	3 PLACES ± --- ± ---	CHECKED BY JJONIAK	DATE 2008/07/09	molex DOCUMENT NO. SD-76762-001 SHEET NO. 1 OF 2		
	▽=0	1 PLACE ± 0.25 ± ---	1 PLACE ± 0.38 ± ---	APPROVED BY SMILLER	DATE 2010/03/09			
REV	DESCRIPTION	ANGULAR ±1/2°		MATERIAL NO. SEE SHT.2		THIS DRAWING CONTAINS INFORMATION THAT IS PROPRIETARY TO MOLEX INCORPORATED AND SHOULD NOT BE USED WITHOUT WRITTEN PERMISSION		
		DRAFT WHERE APPLICABLE MUST REMAIN WITHIN DIMENSIONS		SIZE C				

76762 - * * * *

M/N 76762-()	-**0*	-**1*	-**2*	-**3*	-**4*	-**5*	-**6*	-**7*	-**8*
KEYING PIN ORIENTATION	O	A	B	C	D	E	F	G	H

NUMBER OF COLUMNS/PLATING
 10 = 10 COLUMN MATTE TIN (FORMERLY TIN/LEAD)
 25 = 25 COLUMN MATTE TIN (FORMERLY TIN/LEAD)
 60 = 10 COLUMN MATTE TIN (MAPS)
 75 = 25 COLUMN MATTE TIN (MAPS)
 90 = 10 COLUMN MATTE TIN
 85 = 25 COLUMN MATTE TIN

CONTACT LOAD
 (PIN HEIGHT)
 1 & 6 = 4.75
 2 & 7 = 6.25
 3 & 8 = 4.25
 4 & 9 = 5.15



PART NUMBER	COLUMN	NUMBER OF SIGNAL PIN	NUMBER OF SHIELD	A	B	M	GOLD THICKNESS MICROMETER	TIN THICKNESS MICROMETER
76762-60*1	10	60	10	27.00	18.00	4.75	0.25 MAPS	0.76-1.52
76762-*0*1							0.76	
76762-*0*6							1.27	
76762-75*1	25	150	25	57.00	48.00	4.75	0.25 MAPS	
76762-*5*1							0.76	
76762-*5*6							1.27	
76762-60*2	10	60	10	27.00	18.00	6.25	0.25 MAPS	
76762-*0*2							0.76	
76762-*0*7							1.27	
76762-75*2	25	150	25	57.00	48.00	6.25	0.25 MAPS	
76762-*5*2							0.76	
76762-*5*7							1.27	
76762-60*3	10	60	10	27.00	18.00	4.25	0.25 MAPS	
76762-*0*3							0.76	
76762-*0*8							1.27	
76762-75*3	25	150	25	57.00	48.00	4.25	0.25 MAPS	
76762-*5*3							0.76	
76762-*5*8							1.27	
76762-60*4	10	60	10	27.00	18.00	5.15	0.25 MAPS	
76762-*0*4							0.76	
76762-*0*9							1.27	
76762-75*4	25	150	25	57.00	48.00	5.15	0.25 MAPS	
76762-*5*4							0.76	
76762-*5*9							1.27	

SEE SHEET 1 EC NO: UCP2013-0687 DRAWINGS 2012/08/22 CHKD:MWLF 2012/11/27 APPR:SMILLER 2012/12/14	QUALITY SYMBOLS	GENERAL TOLERANCES (UNLESS SPECIFIED)	DIMENSION STYLE MM ONLY	SCALE 1:1	DESIGN UNITS METRIC	THIRD ANGLE PROJECTION
	▽=0	mm INCH	DRAWN BY DATE JJONIAK 2008/07/09	TITLE VHDM H-SERIES 6 ROW BACKPLANE SHIELD END		
	▽=0	4 PLACES ± --- ± ---	CHECKED BY DATE JJONIAK 2008/07/09	molex DOCUMENT NO. SD-76762-001 SHEET NO. 2 OF 2		
	▽=0	3 PLACES ± 0.25 ± ---	APPROVED BY DATE SMILLER 2010/03/09			
	▽=0	1 PLACE ± 0.38 ± ---	MATERIAL NO. SEE TABLE DRAFT WHERE APPLICABLE MUST REMAIN WITHIN DIMENSIONS			
▽=0	0 PLACE ± --- ± ---	THIS DRAWING CONTAINS INFORMATION THAT IS PROPRIETARY TO MOLEX INCORPORATED AND SHOULD NOT BE USED WITHOUT WRITTEN PERMISSION				