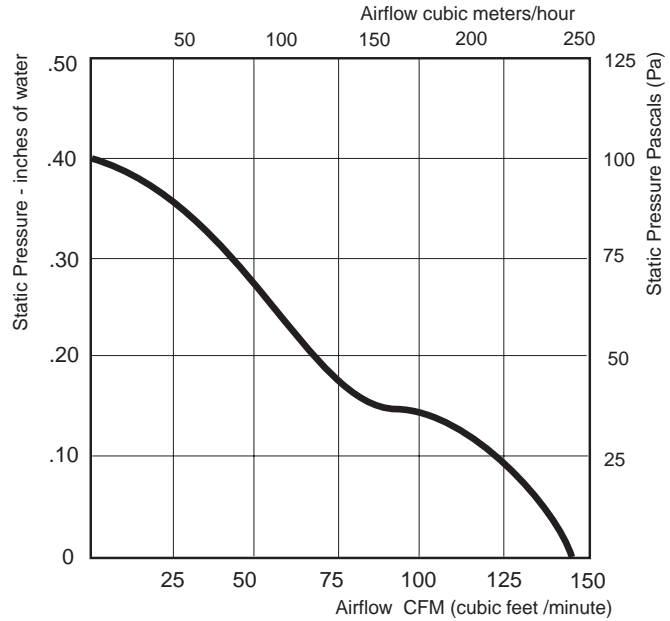
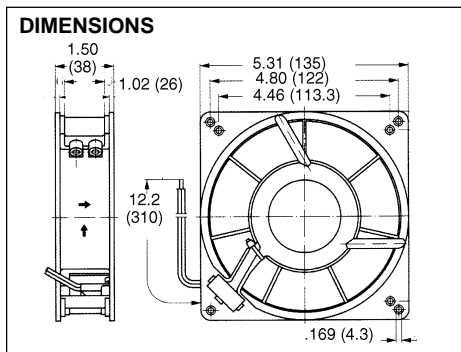


# 135 x 38 mm (5.3" X 1.5") Brushless DC

# 5100 Series



## 5.31" X 5.31" X 1.50" Brushless DC, All Metal, Air Exhaust – Over Struts

PART NUMBER	Type of Bearing	DC Volts	Voltage Range	Watts	CFM @ 0"	Temp. dBA	Wgt. Max °C (oz)	Features	Approvals*			
									UL	CSA	VDE	
<b>5112N</b>	Ball	12	6 - 15	9.5	147	48	72	23	22 AWG 12.2" Leads	✓	✓	✓
<b>5162N</b>	Ball	12	6 - 15	9.5	147	48	72	23	.03" Terminals (up)	✓	✓	✓
<b>5172N</b>	Ball	12	6 - 15	9.5	147	48	72	23	.03" Terminals (down)	✓	✓	✓
<b>5182N</b>	Ball	12	6 - 15	9.5	147	48	72	23	.02" Terminals (up)	✓	✓	✓
<b>5192N</b>	Ball	12	6 - 15	9.5	147	48	72	23	.02" Terminals (down)	✓	✓	✓
<b>5114N</b>	Ball	24	12 - 30	9.5	147	48	72	23	22 AWG 12.2" Leads	✓	✓	✓
<b>5118N</b>	Ball	48	24 - 60	9.5	147	48	72	23	22 AWG 12.2" Leads	✓	✓	✓

\* UL yellow card E38324, CSA file 27697, VDE file 8324

CONSTRUCTION MOUNTING & CONNECTION	<b>Mounting:</b>	From either face using .169" (4.3 mm) holes	<b>Connection:</b>	Terminals two flat pins: .110" x .02" (2.8 x .5 mm) .110" x .03" (2.8 x .76 mm) Leads: red (+), black (-)
	<b>Weight:</b>	23 ounces (650g)	<b>Options:</b>	Hall Effect monitor
	<b>Housing:</b>	Metal with metal impeller		