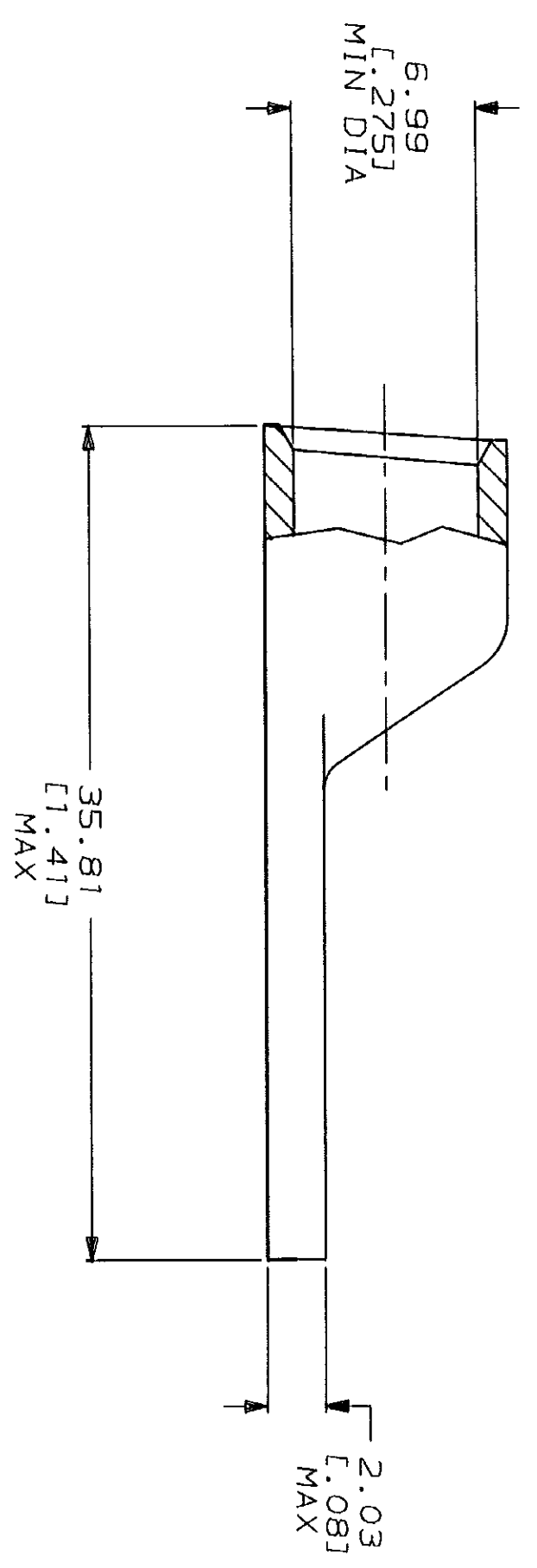
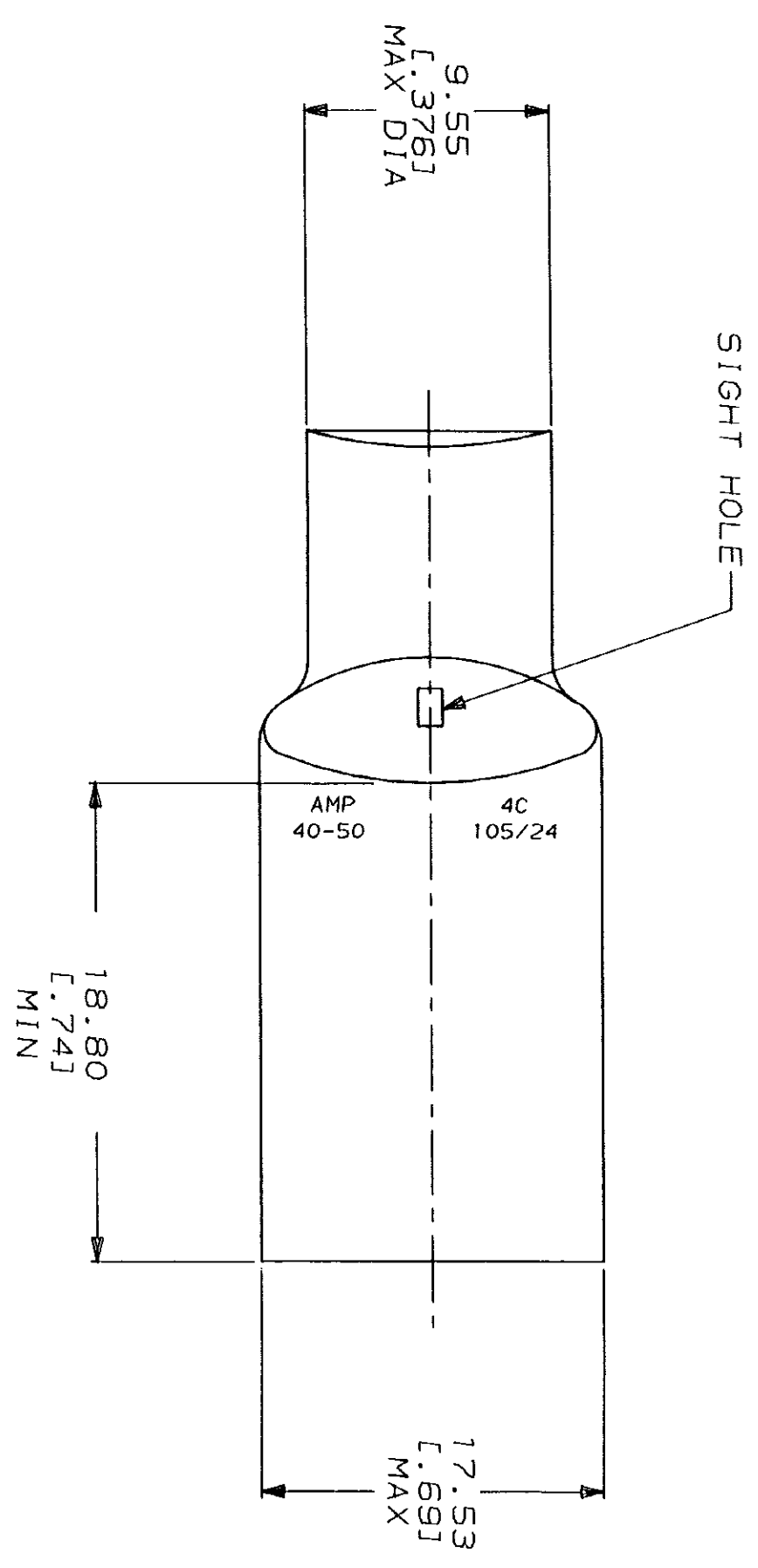


LOC	DIST	REV	ZONE	LTR	DESCRIPTION	DATE	APPD
G	86	P		T	REACTIVATED PER G-5784	1/31/92	065 AJC



△ TIN PL 0.00254L.000100J MIN THK PER MIL-T-10727  
 2 CIRCULAR MIL AREA RANGE: 33,100-52,600

DO NOT SCALE PRINT. UNLESS SPECIFIED DIMENSIONS IN mm [INCHES] TOLERANCES ON :		DR 6/9/86 L WAREHAM	NAME <b>AMP</b> AMP Incorporated Harrisburg, PA 17105-3608
2 PLC DEC ±		CHK 6/10/86 P MUTZBAUGH	
3 PLC DEC ±		APPD 7/1/86 WJ VOCKROTH	TERMINAL, AMPPOWER™ WIRE SIZE: 21.0mm <sup>2</sup> [4] AWG
ANGLES ±		APPD -	
MATERIAL COPPER ASTM B-152 ANNEALED		PRODUCT SPEC	
FINISH		APPLICATION SPEC	
WEIGHT .019 LB		SCALE NTS	

**METRIC**

328160  
PART NO

328160

CUSTOMER DRAWING