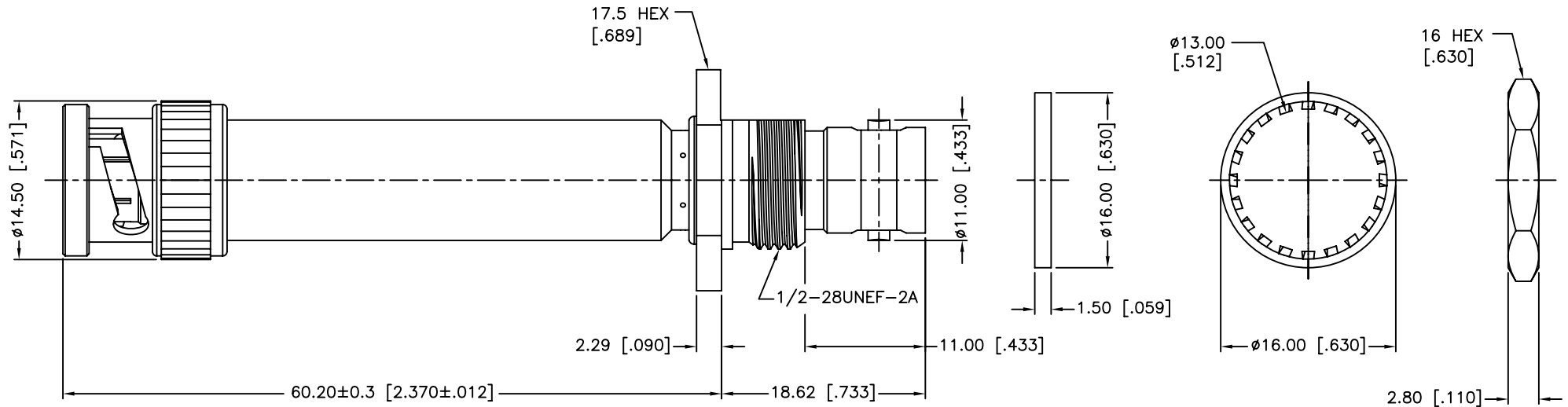
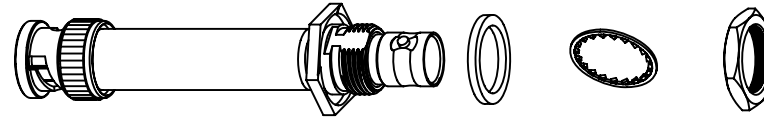
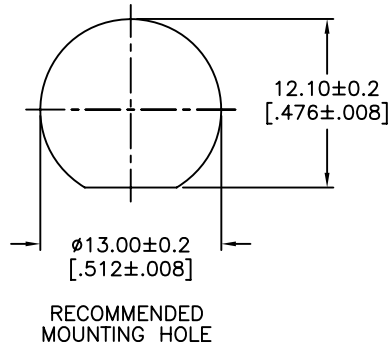


| REV. | DATE | ECR NO. | DESCRIPTION |
|------|----------|---------|-----------------------|
| NC | 07/15/08 | XXXXXX | INITIAL RELEASE |
| A | 05/22/12 | 2337 | UPDATE DRAWING FORMAT |



1. IMPEDANCE: 50 OHM
2. FREQUENCY RANGE: DC 0-4 GHZ
3. DIELECTRIC WITHSTANDING VOLTAGE: 1500 VRMS, MIN.
4. DURABILITY: 500 CYCLES MIN.
5. TEMPERATURE RANGE: -65°C TO +165°C

| QTY | DESCRIPTION | MATERIAL | FINISH |
|-------------|---------------|-----------------|---------|
| 14 | HEX NUT | BRASS | NICKEL |
| 13 | LOCK WASHER | BRASS | NICKEL |
| 12 | GASKET | RUBBER | RED |
| 11 | HOUSING | BRASS | NICKEL |
| 10 | INSULATOR | DELIRIN | NATURAL |
| 9 | CONTACT PIN | BRASS | GOLD |
| 8 | CONTACT PIN | PHOSPHOR BRONZE | GOLD |
| 7 | WASHER | BRASS | NICKEL |
| 6 | SPRING | SK5 | NICKEL |
| 5 | RETAINER RING | BRASS | NICKEL |
| 4 | GASKET | RUBBER | RED |
| 3 | INSULATOR | PTFE | NATURAL |
| 2 | SHELL | BRASS | NICKEL |
| 1 | BODY | BRASS | NICKEL |
| DESCRIPTION | MATERIAL | FINISH | QTY |

UNLESS OTHERWISE SPECIFIED DIMENSIONS ARE IN MILLIMETERS. DIMENSIONS IN [] ARE IN INCHES AND FOR CUSTOMER REFERENCE ONLY.

UNLESS OTHERWISE SPECIFIED TOLERANCES FOR MILLIMETERS ARE:
0.5 - 8mm ± 0.20mm
8 - 30mm ± 0.40mm
30 - 120mm ± 0.50mm

UNLESS OTHERWISE SPECIFIED TOLERANCES FOR INCHES ARE:
.020 - .315 = ± 0.007"
.315 - 1.180 = ± 0.015"
1.180 - 4.724 = ± 0.020"

DO NOT SCALE DRAWING

| APPROVALS | DATE |
|----------------------------------|----------|
| DRAWN M.ZHANG | 05/22/12 |
| CHECKED | |
| ISSUED | |
| SHEET 1 OF 1 | |
| CAD FILE C:/CONNEX/112667-10.DWG | |

| | | | |
|---|---------------|------------------|----|
| Amphenol Connex | | | |
| PART DESCRIPTION BNC MALE TO FEMALE BULKHEAD ISOLATED ADAPTER | | | |
| PART NO. | | 112667-10 | |
| DWG. NO. | 112667-10.DWG | REV. | A |
| SIZE | A | SCALE | NA |