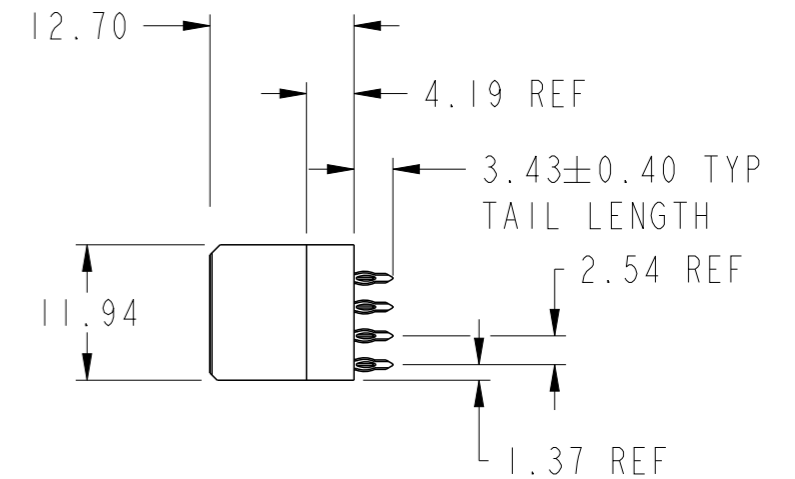
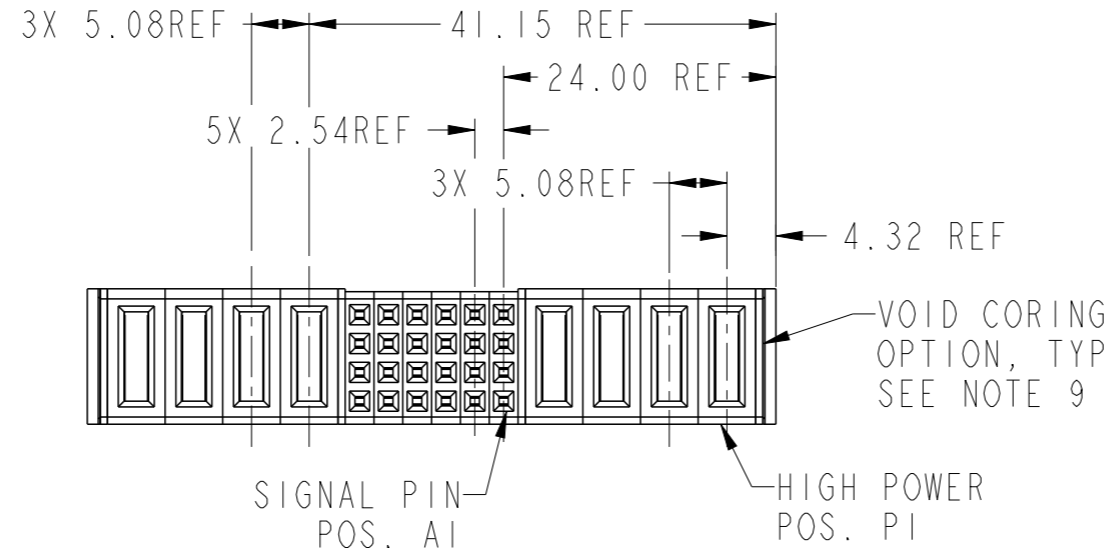
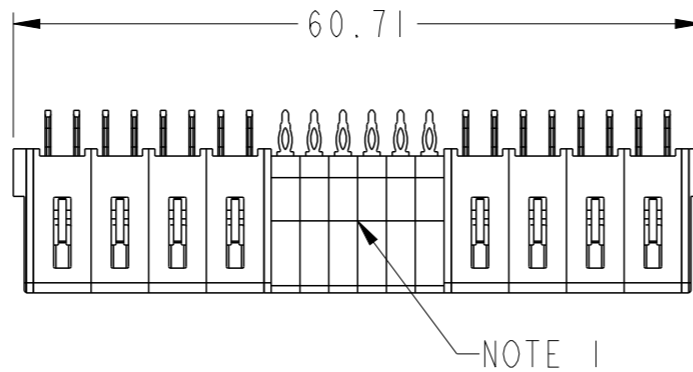
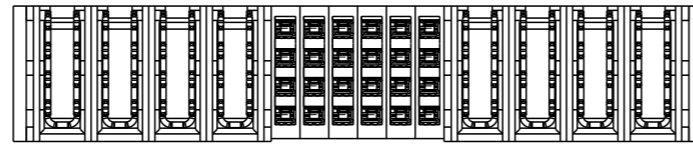


PRODUCT NUMBER SEE SHEET 2



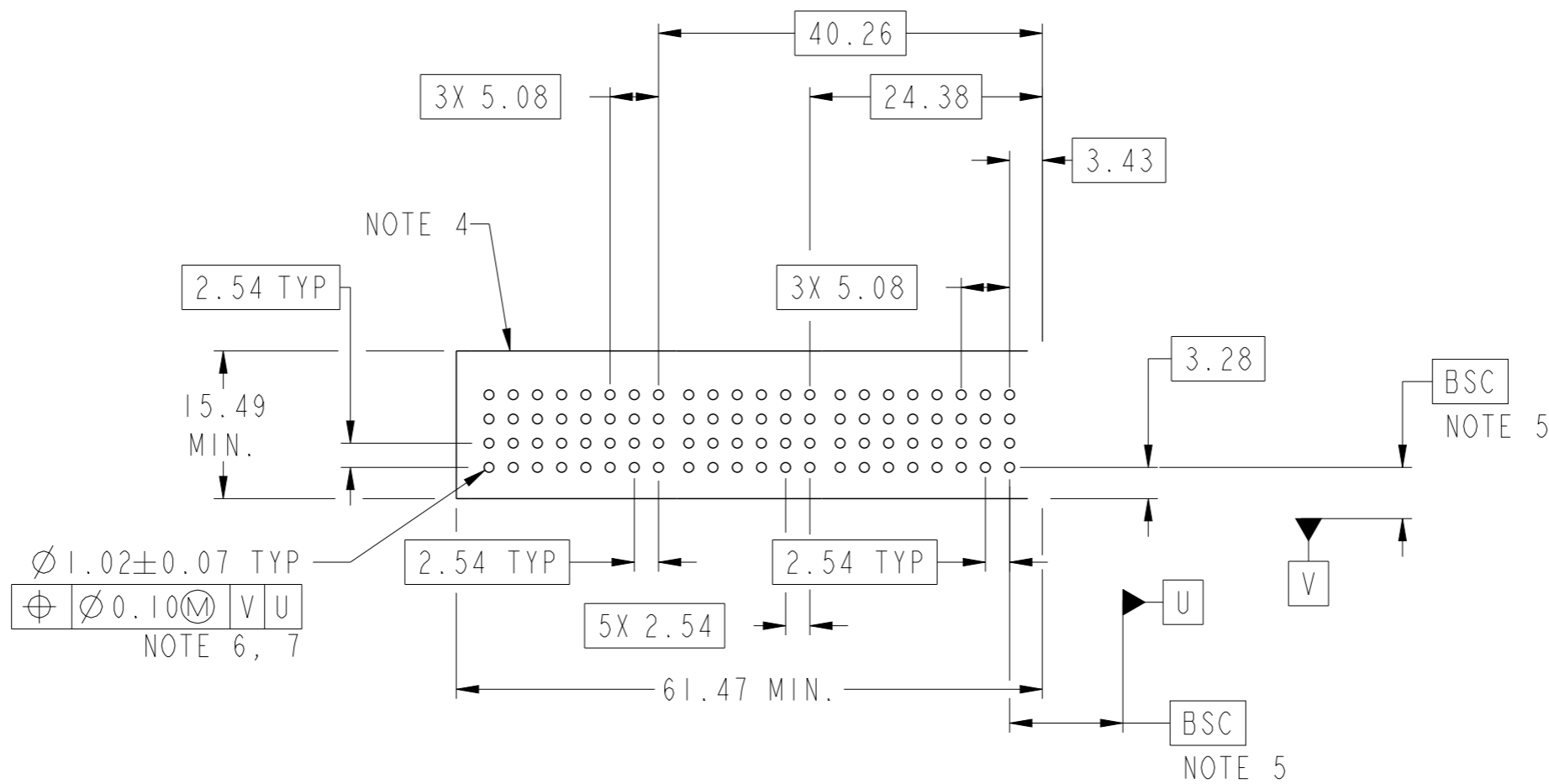
spec ref		dr	Eddy Zeng	2014/04/14	projection 	MM ←→	size	A3	scale	3:2
tolerance std ASME Y14.5		eng	Eddy Zeng	2014/05/06			ecn no	-		
TOLERANCES UNLESS OTHERWISE SPECIFIED		chr	Li-He	2014/05/06			rel level	Released		
surface	linear	0.X	±0.50	 www.fci.com	4HP + 24S + 4HP VT PF RECEPTACLE	dwg no 10106139-8006001	rev A			
		0.XX	±0.25							
		0.XXX	±0.10							
ASME Y14.5		angular	0°	±2°	cat. no.	Product - Customer Drw	sheet 1 of 3			



Copyright FCI.

PRODUCT NO.	ROWS	HIGH POWER				SIGNAL					HIGH POWER				E1	E2				
		P8	P7	P6	P5	6	5	4	3	2	1	P4	P3	P2			P1			
10106139-8006001LF	D C B A	HG	HG	HG	HG	F	F	F	F	F	F	F	F	F	F	F	HG	HG	HG	HG

CODE	DESCRIPTION
F	STD SIGNAL CONTACT
HG	STD HIGH POWER CONTACT (3.43)



dr	Eddy Zeng	2014/04/14	projection	MM	size	A3	scale	3:2
eng	Eddy Zeng	2014/05/06			ecn no	-		
chr	Li-He	2014/05/06	product family	PowerBlade+	rel level	Released		
appr	Pei-Ming Zheng	2014/05/06			4HP + 24S + 4HP	rel no	10106139-8006001	rev
www.fci.com		cat. no.	Product - Customer Drw		sheet 2 of 3			

Copyright FCI. FCI

A

A

NOTES:

- 1) "FCI", PART NUMBER AND DATE CODE TO BE MARKED ON THIS SURFACE.
THE MARK CAN BE OMITTED IF THERE IS NOT ENOUGH SPACE ON THIS SURFACE.
- 2) MATERIALS:
-HOUSING - GLASS FILLED WITH HIGH TEMP THERMOPLASTIC, UL94V-0.
-SIGNAL CONTACT - COPPER ALLOY.
-POWER CONTACT - HIGH CONDUCTIVITY COPPER ALLOY.
- 3) PLATING SPECIFICATION REFER TO FCI 10116351
- 4) DENOTES CONNECTOR KEEP OUT ZONE.
- 5) DATUM AND BASIC DIMENIONS WERE ESTABLISHED BY CUSTOMER.
- 6) ALL HOLE DIAMETERS ARE FINISHED HOLE SIZES.
- 7) 1.15 ± 0.025MM DRILLED HOLE PLATED WITH 0.00762MM MIN Sn
OVER 0.0254-0.0762MM Cu PLATING TO ACHIEVE A 1.02 ± 0.07MM HOLE.
- 8) PRODUCT SPECIFICATION REFER TO FCI GS-12-658.
APPLICATION SPECIFICATION REFER TO FCI GS-20-141.
PRODUCT PACKAGED IN TRAYS, REFER TO FCI GS-14-1502.
- 9) THE VOID CORING IN BETWEEN POWER MODULES, SIGNAL
MODULES AND END MODULES ARE OPTIONAL AND THE SHAPE
MAY BE DIFFERENT FOR OPTIMIZE THE MOLDING PROCESS. THE
VOID CORING WILL NOT EFFECT TO PRODUCT FUNCTION.

B

B

C

C

D

D



Copyright FCI.

dr	Eddy Zeng	2014/04/14	projection 	MM ←→	size	A3	scale	1:1	
eng	Eddy Zeng	2014/05/06			ecn no	-			
chr	Li-He	2014/05/06			rel level	Released			
appr	Pei-Ming Zheng	2014/05/06	product family	PowerBlade+					
		4HP + 24S + 4HP			dwg no	10106139-8006001		rev	A
www.fci.com		cat. no.	Product - Customer Drw		sheet 3 of 3				