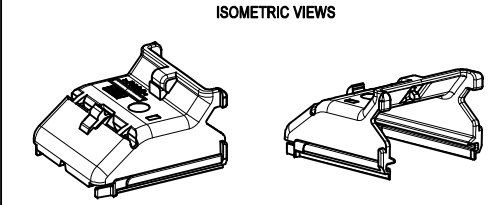
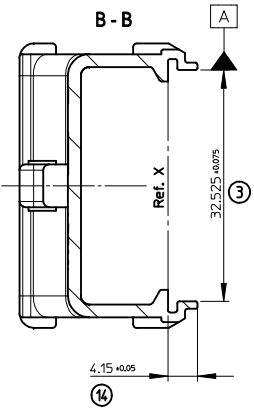
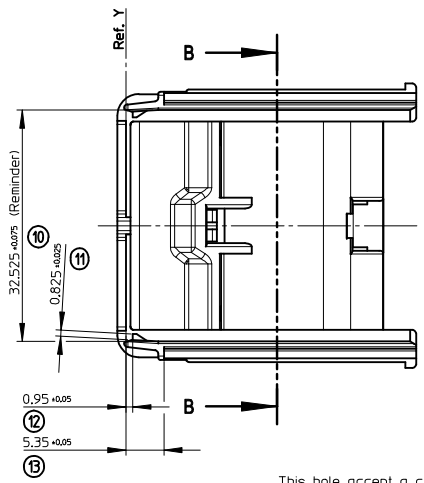
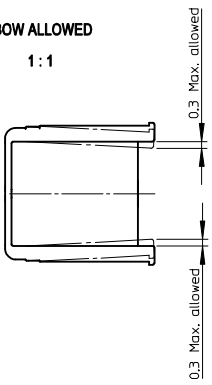
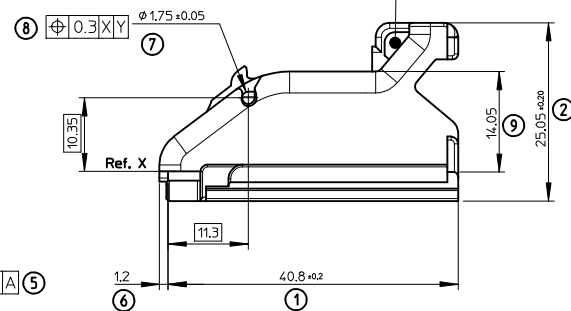
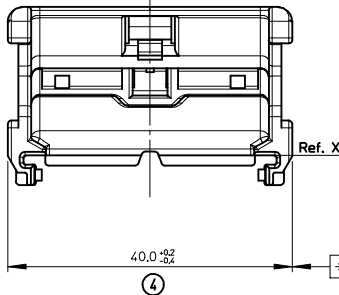
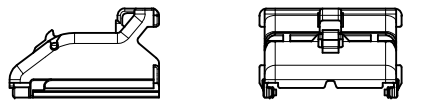


BOW ALLOWED

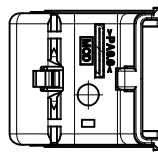
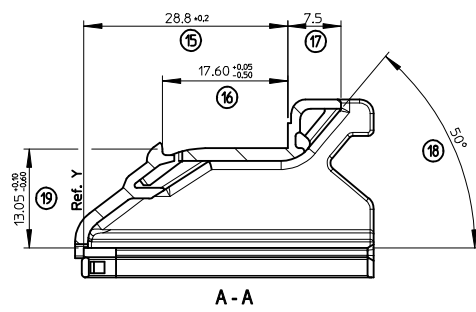
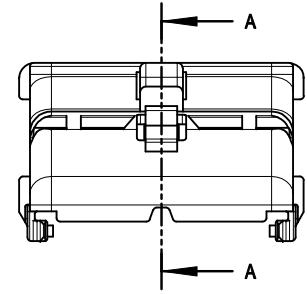
1:1



ISOMETRIC VIEWS



This hole accept a cable-tie with a maximum section: 3.2 x 1.2mm

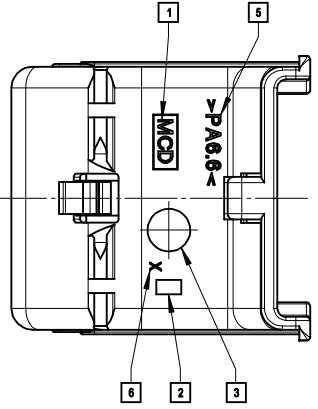


1:1

- MARKINGS:**
- 1 - Supplier Acronym: MCD
  - 2 - Revision Level
  - 3 - Datum Month/Year
  - 5 - Material
  - 8 - Preint Identification N°

- NOTES:**
- 1 -Material: >PA6.6< , Color: Black, Spec.: Heat Stabilized.
  - 2 -Delivered Product Weight: 6.000 g
  - 3 -Related Counterpart: Female Connector CMC 53 Ways.

INSPECTION BALLOON NUMBER LOG	
PER DRAWING REVISION:	B
LAST BALLOON NUMBER USED:	19
ADDED BALLOON NUMBERS:	
REMOVED BALLOON NUMBERS:	



B	- DELETE MARKING 4 - SUPPLIER ACRONYM MCD WAS MXG
A	FIRST RELEASE

<b>MODIFY MARKINGS</b> EC NO: G2013-0168 DRAWN BY: J. DESBRUERES 2012/12/18 CHKD: G. BOUCHAN 2012/12/19 APPR: O. PLESSIS 2013/01/10	DESCRIPTION: [REDACTED]	GENERAL TOLERANCES (UNLESS SPECIFIED)		DIMENSION STYLE <b>MM ONLY</b>	SCALE <b>2:1</b>	DESIGN UNITS <b>METRIC</b>	FIRST ANGLE PROJECTION
		4 PLACES ± --- ± --- 3 PLACES ± --- ± --- 2 PLACES ± 0.1 ± --- 1 PLACE ± 0.1 ± --- 0 PLACE ± 0.1 ± ---	DRAWN BY: G. DESBRUERES DATE: 2008/04/22 CHECKED BY: O. PLESSIS DATE: 2008/04/22 APPROVED BY: L. STICKEIR DATE: 2008/04/23	MATERIAL NO. <b>0643211101</b>	TITLE <b>WIRE CAP CMC 53W</b>	DOCUMENT NO. <b>SD-64321-002</b>	SHEET NO. <b>1 OF 1</b>
ANGLULAR ± 2 ° DRAFT WHERE APPLICABLE MUST REMAIN WITHIN DIMENSIONS		THIS DRAWING CONTAINS INFORMATION THAT IS PROPRIETARY TO MOLEX INCORPORATED AND SHOULD NOT BE USED WITHOUT WRITTEN PERMISSION					