

LTC4365/LTC4365-1: Overvoltage, Undervoltage and Reverse Supply Protection Controller

DESCRIPTION

Demonstration circuit DC1555C is intended to demonstrate the performance of the LTC4365 and LTC4365-1 Undervoltage, Overvoltage and Reverse Supply Protection Controllers.

The **LTC®4365/LTC4365-1** protect circuits from input voltages that may be too high, too low or negative. It operates by controlling the gates of two back-to-back connected MOSFETs to keep the output in a safe range. The OV and UV protection levels are adjusted by resistive dividers at the OV and UV pins. Asserting the $\overline{\text{SHDN}}$ pin disables the MOSFETs and places the controller in a low-current shutdown state. The $\overline{\text{FAULT}}$ pin is asserted when the Controller is in shutdown mode or when the input voltage is outside of the UV or OV level.

The LTC4365 and LTC4365-1 can withstand DC voltages between -40V and $+60\text{V}$ and have a valid operating range of 2.5V to 34V .

Regarding the supply protection parameters, the LTC4365 and LTC4365-1 are identical. The only differences are in the gate fault recovery delay time and the delay from turn-off to low-power operation. These delays are 36ms (typ, both) for the LTC4365, while they are 1ms and 0.7ms respectively for the LTC4365-1.

The DC1555C includes the controller, two back-to-back connected power MOSFETs, three jumpers and three LEDs to indicate the input and output voltages and the $\overline{\text{FAULT}}$ pin signal.

Design files for this circuit board are available at <http://www.linear.com/demo/DC1555C>

LT, LT, LTC, LTM, Linear Technology and the Linear logo are registered trademarks of Linear Technology Corporation. All other trademarks are the property of their respective owners.

PERFORMANCE SUMMARY ($T_A = 25^\circ\text{C}$)

SYMBOL	PARAMETER	CONDITIONS	MIN	TYP	MAX	UNITS
V_{IN}	Board Input Voltage Range		-30		30	V
$V_{\text{IN(UVLO)}}$	Input Supply Undervoltage Lockout	V_{IN} Rising	1.8	2.2	2.4	V
I_{VIN}	Input Supply Current	$\overline{\text{SHDN}} = 0\text{V}$ $\overline{\text{SHDN}} = 2.5\text{V}$		10 25	50 150	μA μA
$I_{\text{VIN(R)}}$	Reverse Input Supply Current	$V_{\text{IN}} = -40\text{V}$, $V_{\text{OUT}} = 0\text{V}$		-1.2	-1.8	mA
ΔV_{GATE}	External N-Channel Gate Drive (GATE – VOUT)	$V_{\text{IN}} = V_{\text{OUT}} = 5\text{V}$, $I_{\text{GATE}} = -1\mu\text{A}$ $V_{\text{IN}} = V_{\text{OUT}} = 12\text{V}$ to 34V , $I_{\text{GATE}} = -1\mu\text{A}$	3 7.4	3.6 8.4	4.2 9.8	V V
$I_{\text{GATE(UP)}}$	External N-Channel Gate Pull-Up current	GATE = $V_{\text{IN}} = V_{\text{OUT}} = 12\text{V}$	-12	-20	-30	μA
$I_{\text{GATE(FAST)}}$	External N-Channel Fast Gate Pull-Down Current	Fast Shutdown, GATE = 20V , $V_{\text{IN}} = V_{\text{OUT}} = 12\text{V}$	31	50	72	mA
$I_{\text{GATE(SLOW)}}$	External N-Channel Gentle Gate Pull-Down Current	Gentle Shutdown, GATE = 20V , $V_{\text{IN}} = V_{\text{OUT}} = 12\text{V}$	50	90	150	μA
V_{UV}	UV Input Threshold Voltage	UV Falling $\rightarrow \Delta V_{\text{GATE}} = 0\text{V}$	492.5	500	507.5	mV
V_{OV}	OV Input Threshold Voltage	OV Rising $\rightarrow \Delta V_{\text{GATE}} = 0\text{V}$	492.5	500	507.5	mV
$t_{\text{GATE(FAST)}}$	External N-Channel Fast Gate Turn-Off Delay	$C_{\text{GATE}} = 2.2\text{nF}$, UV or OV Fault		2	4	μs
t_{FAULT}	OV, UV Fault Propagation Delay	Overdrive = 50mV , $V_{\text{IN}} = V_{\text{OUT}} = 12\text{V}$		1	2	μs
V_{SHDN}	$\overline{\text{SHDN}}$ Input Threshold	$\overline{\text{SHDN}}$ Falling to $\Delta V_{\text{GATE}} = 0\text{V}$	0.4	0.75	1.2	V

OPERATING PRINCIPLES

The LTC4365/LTC4365-1 monitors the input rail voltage and disconnects downstream circuits when the input voltage is too low, too high or negative. The LTC4365 provides accurate overvoltage and undervoltage comparators to ensure that power is applied to the system only if the input supply is within the allowable voltage window. Reverse

supply protection circuit automatically isolates the load from negative input voltages.

During normal operation, a high voltage charge pump enhances the gate of external N-channel power MOSFETs.

The controller consumes 10 μ A during shutdown and 125 μ A while operating.

QUICK START PROCEDURE

Demonstration circuit 1555C is easy to set up to evaluate the performance of the LTC4365/LTC4365-1. Refer to Figures 1a and 1b for proper measurement equipment setup and follow the procedure below.

Note that the circuit on the DC1555C is optimized for 12V operation. The Si4214 FET limits overvoltage and reverse voltage to 30V and -30V, respectively. Refer to the LTC4365 data sheet for applications optimized for other voltages.

Reverse Voltage Test (Figure 1b)

- 1) Set JP1 to EN.
- 2) Set JP2 and JP3 to CONNECT LED.
- 3) Connect a power supply across VIN and GND in a negative configuration (connect positive rail to GND and negative rail to VIN).
- 4) Connect voltmeters at the input and output and ammeter in series with supply.
- 5) Ramp VIN down to -30V (referenced to GND).
- 6) Verify that the output voltage is between 0V and -0.5V, all LEDs are off, and the input current is <1.8mA. (FET leakage or other board leakage paths can pull VOUT slightly negative, but it will be clamped by the internal protection diode.)
- 7) Ramp supply back to 0V.

Undervoltage/Overvoltage Test (Figure 1a)

- 8) Reverse the polarity of power supply connection across VIN to GND (connect positive rail to VIN and negative rail to GND).
- 9) Ramp supply up to 30V and verify green VIN LED, red $\overline{\text{FAULT}}$ LED, green VOUT LED, and VOUT according to Table 1 within the various voltage ranges.
- 10) Ramp supply down from 30V down to 0V and verify green VIN LED, red $\overline{\text{FAULT}}$ LED, green VOUT LED, and VOUT according to Table 1.

Table 1

VIN	VOUT	VIN LED	VOUT LED	$\overline{\text{FAULT}}$ LED
0V to 5.77V	= 0V	Off/Dim/On	Off	On
6.56V to 13.51V	= VIN	On	On	Off
15.47V to 30V	= 0V	On	Off	On

Jumper Test

- 11) Remove load and set supply to 9V.
- 12) Move jumpers and verify LEDs according to Table 2.

Table 2

JP1	JP2/JP3	VIN LED	VOUT LED
EN	CONNECT LED	On	On
DIS	CONNECT LED	On	Off
EN	Open	Off	Off

DEMO MANUAL DC1555C

QUICK START PROCEDURE

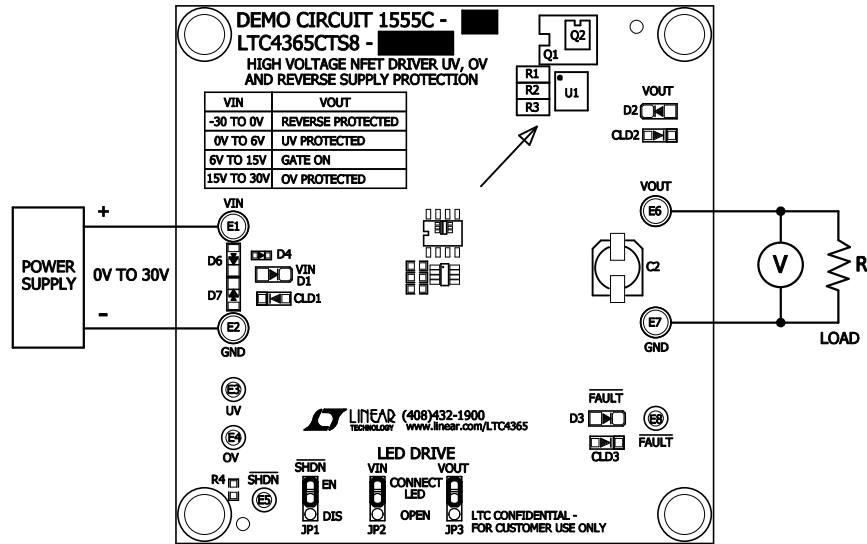


Figure 1a. Undervoltage/Overvoltage Measurement

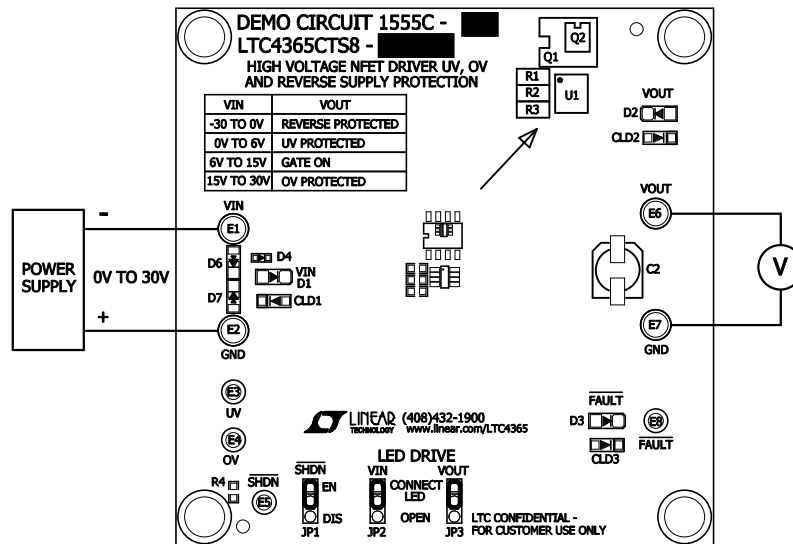
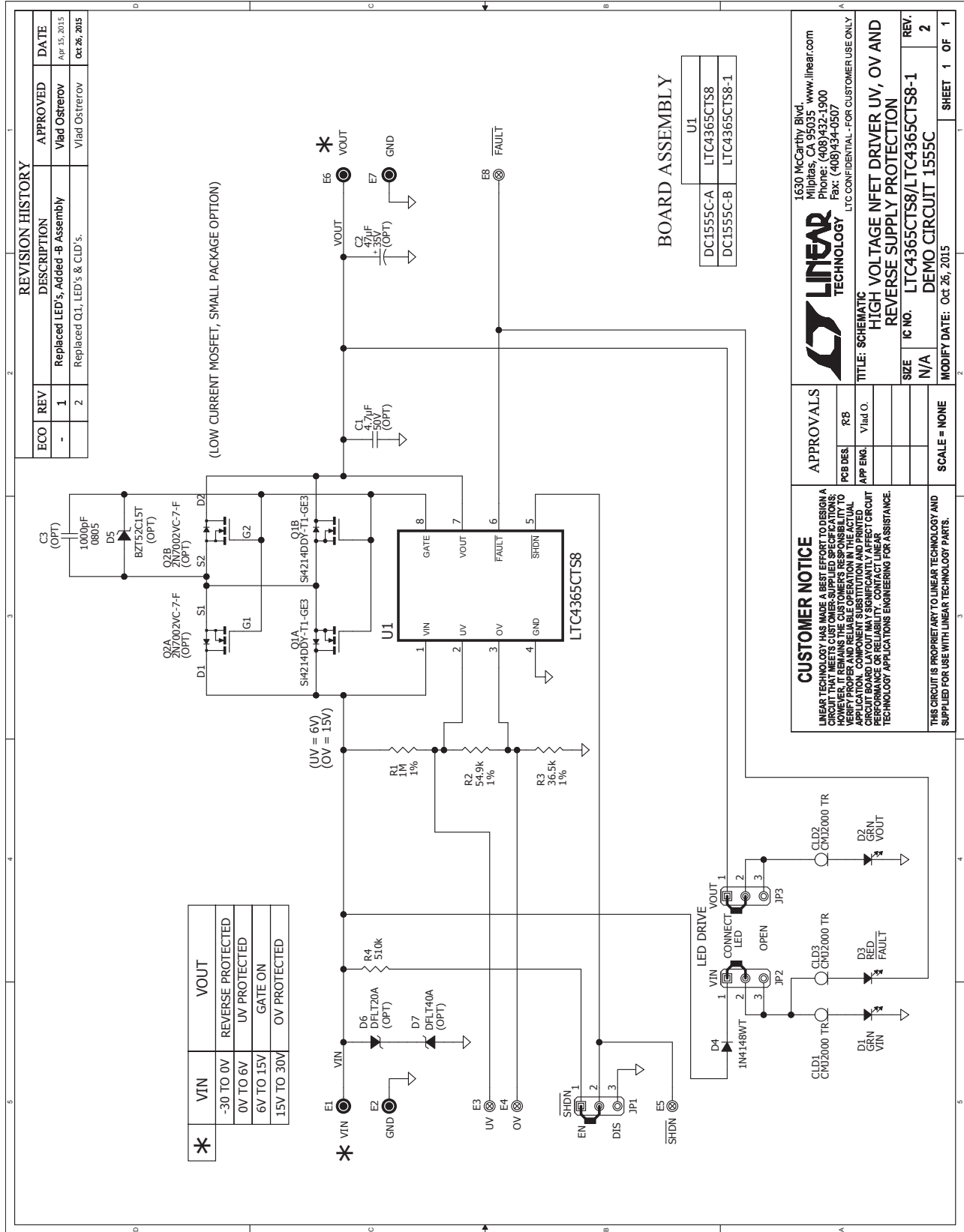


Figure 1b. Reverse Voltage Measurement

SCHEMATIC DIAGRAM



Information furnished by Linear Technology Corporation is believed to be accurate and reliable. However, no responsibility is assumed for its use. Linear Technology Corporation makes no representation that the interconnection of its circuits as described herein will not infringe on existing patent rights.

DEMO MANUAL DC1555C

DEMONSTRATION BOARD IMPORTANT NOTICE

Linear Technology Corporation (LTC) provides the enclosed product(s) under the following **AS IS** conditions:

This demonstration board (DEMO BOARD) kit being sold or provided by Linear Technology is intended for use for **ENGINEERING DEVELOPMENT OR EVALUATION PURPOSES ONLY** and is not provided by LTC for commercial use. As such, the DEMO BOARD herein may not be complete in terms of required design-, marketing-, and/or manufacturing-related protective considerations, including but not limited to product safety measures typically found in finished commercial goods. As a prototype, this product does not fall within the scope of the European Union directive on electromagnetic compatibility and therefore may or may not meet the technical requirements of the directive, or other regulations.

If this evaluation kit does not meet the specifications recited in the DEMO BOARD manual the kit may be returned within 30 days from the date of delivery for a full refund. **THE FOREGOING WARRANTY IS THE EXCLUSIVE WARRANTY MADE BY THE SELLER TO BUYER AND IS IN LIEU OF ALL OTHER WARRANTIES, EXPRESSED, IMPLIED, OR STATUTORY, INCLUDING ANY WARRANTY OF MERCHANTABILITY OR FITNESS FOR ANY PARTICULAR PURPOSE. EXCEPT TO THE EXTENT OF THIS INDEMNITY, NEITHER PARTY SHALL BE LIABLE TO THE OTHER FOR ANY INDIRECT, SPECIAL, INCIDENTAL, OR CONSEQUENTIAL DAMAGES.**

The user assumes all responsibility and liability for proper and safe handling of the goods. Further, the user releases LTC from all claims arising from the handling or use of the goods. Due to the open construction of the product, it is the user's responsibility to take any and all appropriate precautions with regard to electrostatic discharge. Also be aware that the products herein may not be regulatory compliant or agency certified (FCC, UL, CE, etc.).

No License is granted under any patent right or other intellectual property whatsoever. **LTC assumes no liability for applications assistance, customer product design, software performance, or infringement of patents or any other intellectual property rights of any kind.**

LTC currently services a variety of customers for products around the world, and therefore this transaction **is not exclusive**.

Please read the DEMO BOARD manual prior to handling the product. Persons handling this product must have electronics training and observe good laboratory practice standards. **Common sense is encouraged.**

This notice contains important safety information about temperatures and voltages. For further safety concerns, please contact a LTC application engineer.

Mailing Address:

Linear Technology
1630 McCarthy Blvd.
Milpitas, CA 95035

Copyright © 2004, Linear Technology Corporation