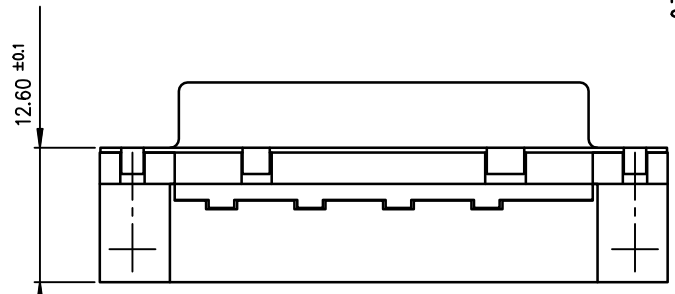
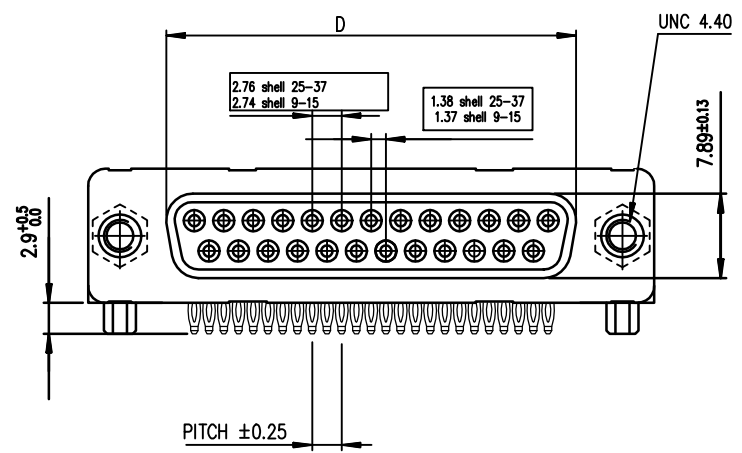
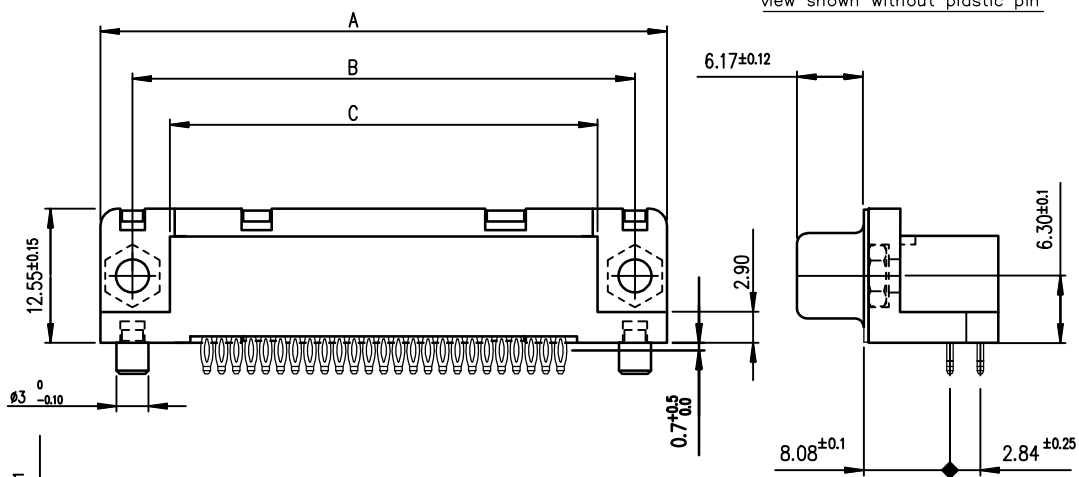
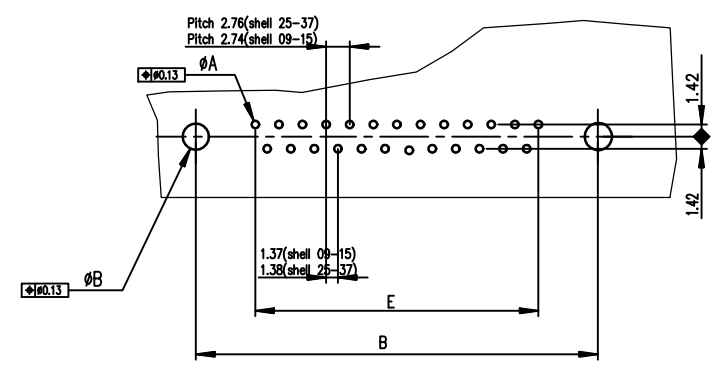


view shown without plastic pin

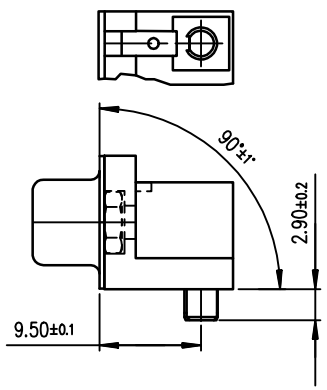


PC card drilling dimensions(after plating)
(thickness 1.60 ±0.25 mm)



SHELL	A±0.38	B±0.12	C±0.10	D±0.25	E±0.07	PART NUMBER	PART NUMBER
09	30.81	24.99	18.00	16.21	10.96	D09S80C4PX00	D09S80C6PX00
15	39.14	33.32	26.32	24.54	19.18	D15S80C4PX00	D15S80C6PX00
25	53.03	47.04	40.04	38.25	33.12	D25S80C4PX00	D25S80C6PX00
37	69.32	63.50	56.50	54.71	49.68	D37S80C4PX00	D37S80C6PX00
						Gold flash	0,76 » gold

Detail of plastic pin



GENERAL CHARACTERISTICS AND ROHS INFORMATIONS:
SEE DRAWING C01-8646-0001

mat'l. code		surface		tolerance		projection		product family	
-		ISO 1302		ISO 406 ISO 1101				D-SUB	
ltr		ecn no		date		title		sheet 1 of 1	
E		ELX-I-17859		2014/06/06		FEMALE CONNECTOR DELTA-D US RIGHT ANGLED PRESS FIT		size	
dr		PESSON		1995/10/30		scale 2:1		A3	
engr		MITHUN PAUL		2014/06/06				C01-8646-0415	
chr		ALIAS BABU		2014/06/06		type		Product Customer Drawing	
appd		BIJU K PAUL		2014/06/06					
sheet index		revision sheet		E 1					