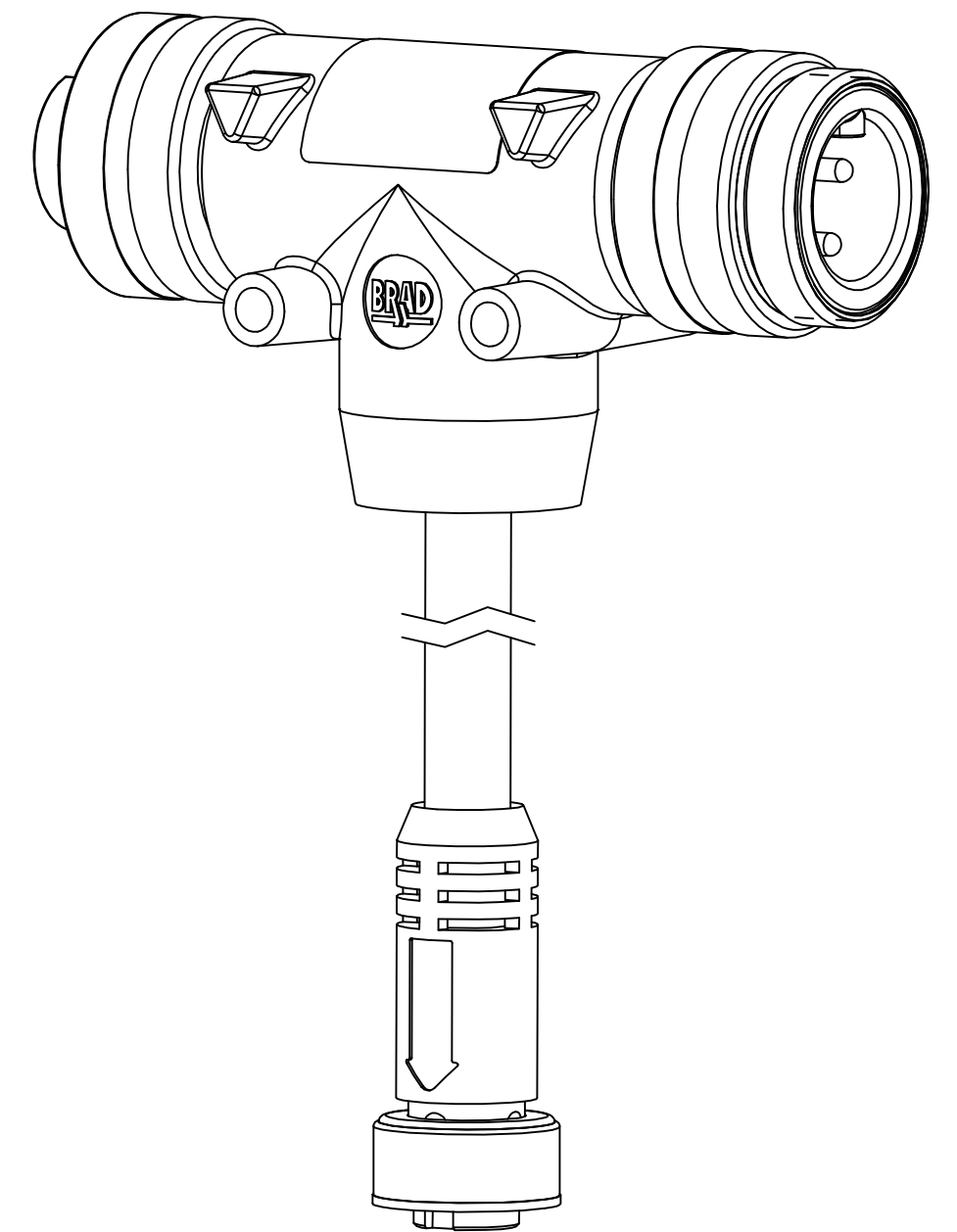
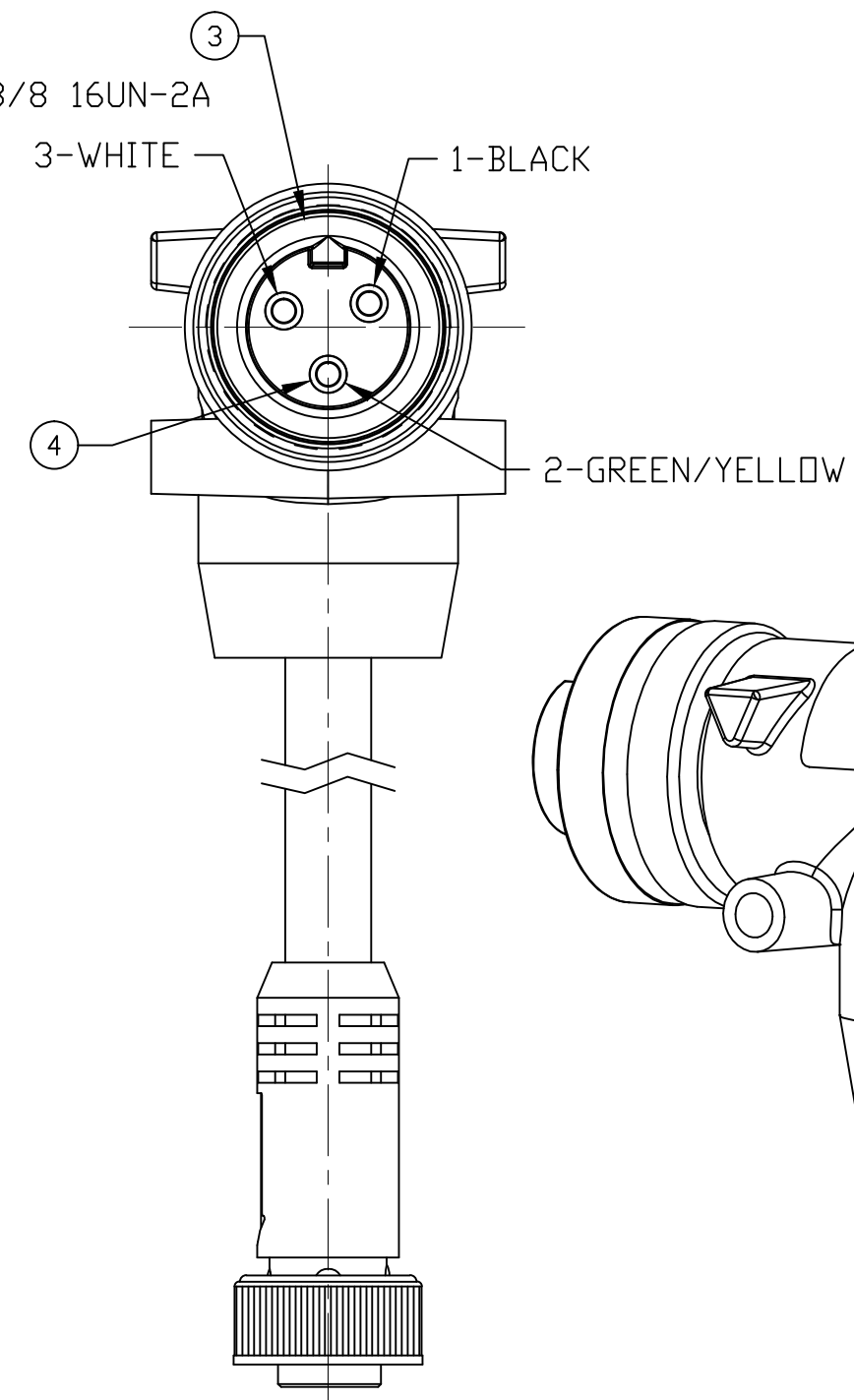
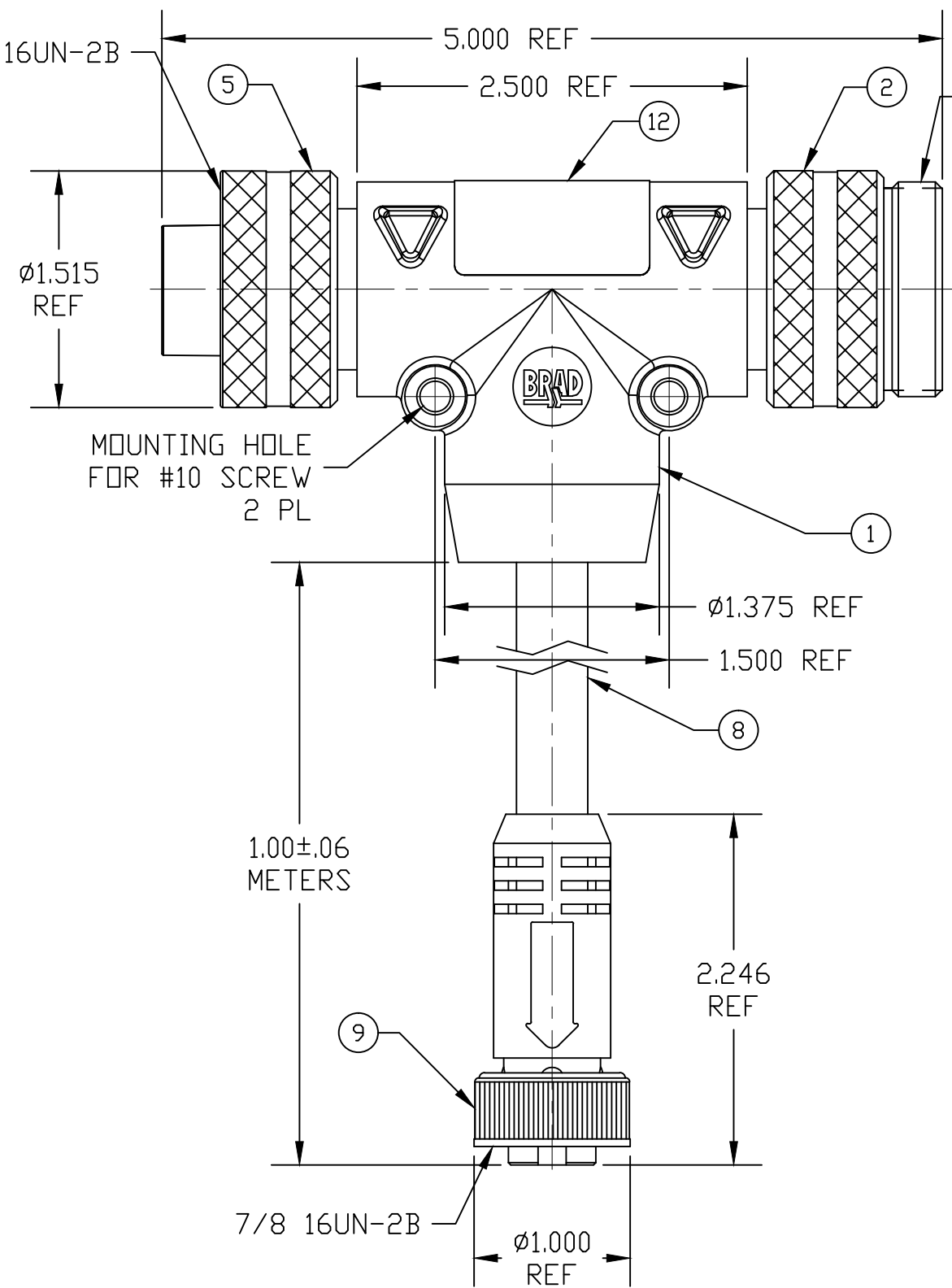
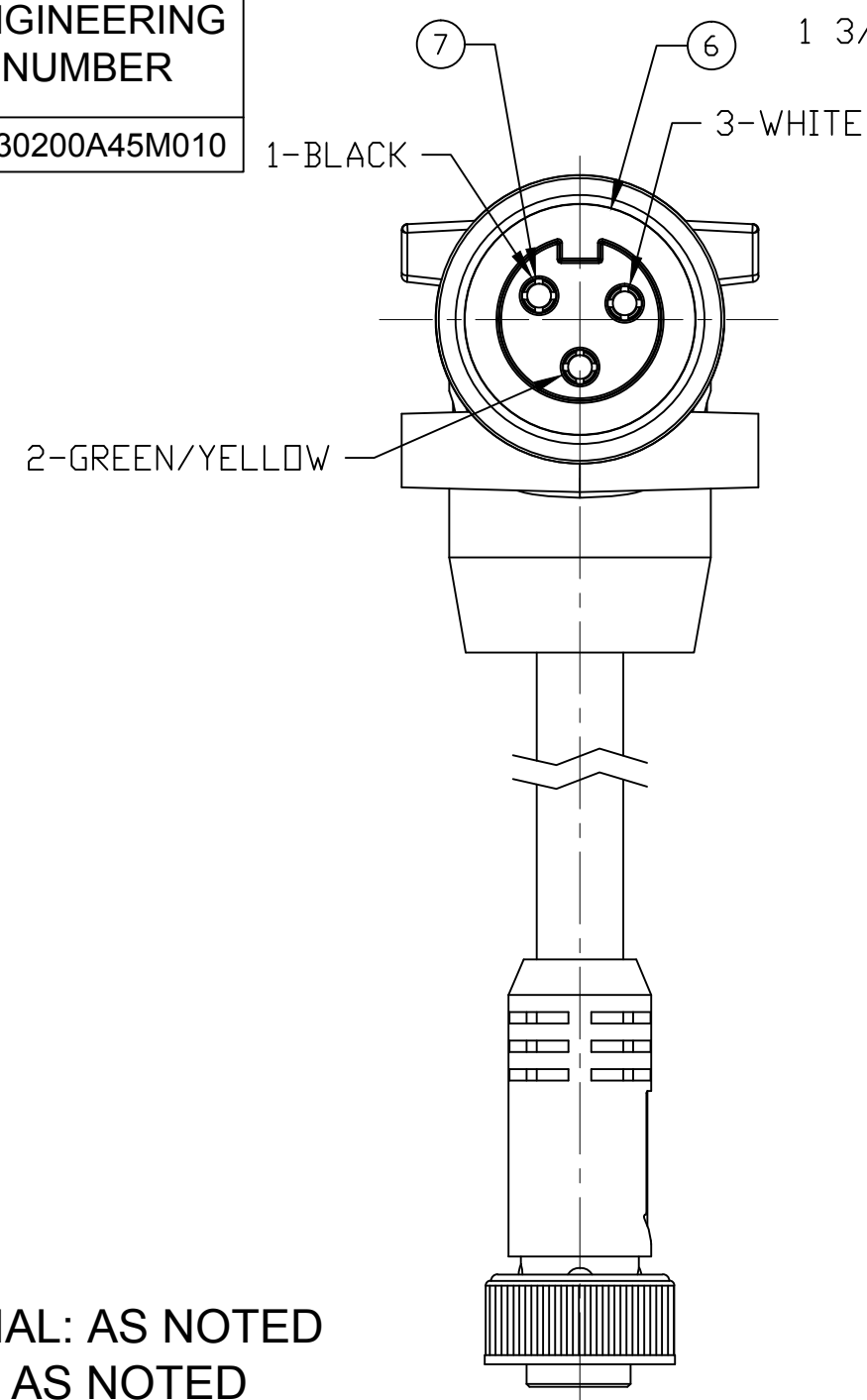
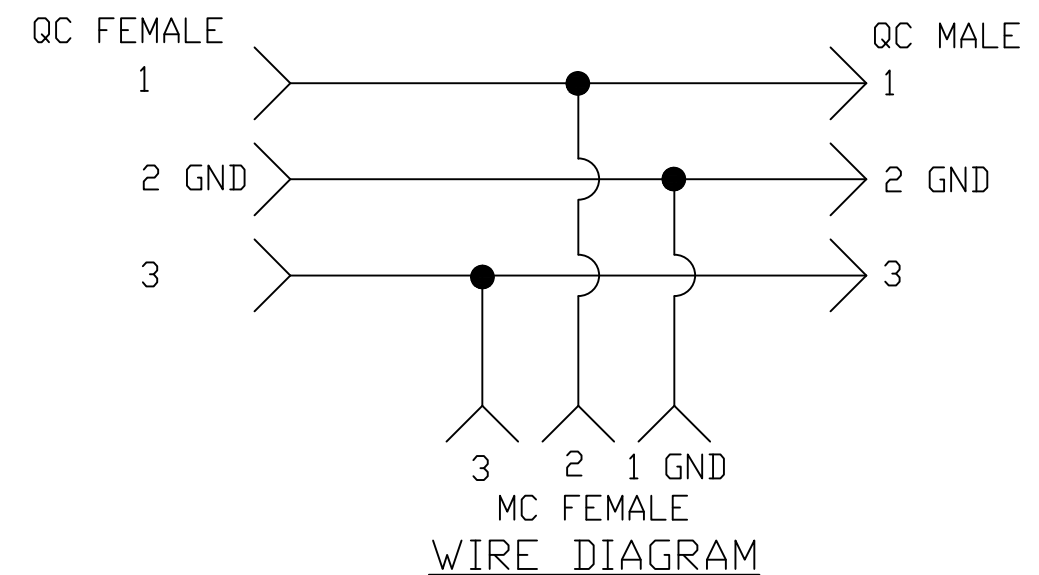
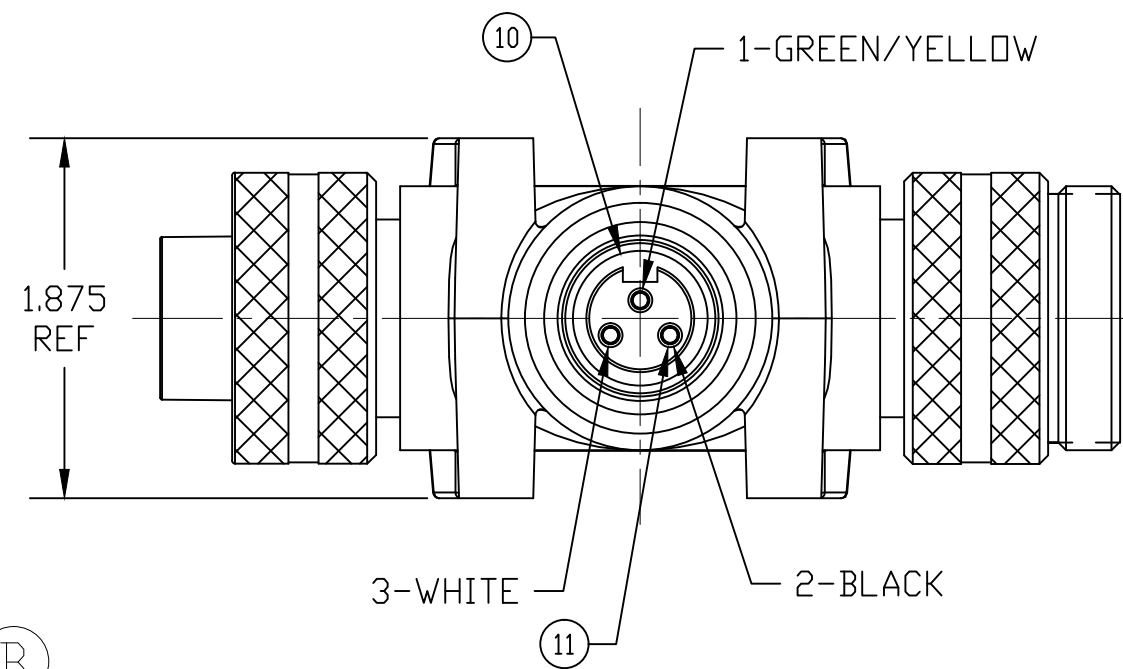


| PART NUMBER | ENGINEERING NUMBER |
|-------------|--------------------|
| 1300680039 | TC30200A45M010 |



- NOTES:**
- MATERIAL: AS NOTED
 - FINISH: AS NOTED
 - ELECTRICAL:
VOLTAGE: 500V PER IEC60664
600V PER UL2237
MAX THRU CURRENT: 32A
MAX DROP CURRENT: 13A
 - TEMP RATING: -20° TO +90°C
 - PROTECTION: IP67 (WHEN MATED)
 - CERTIFICATION:
UL LISTED/CSA CERTIFIED FILE NO: E258922



| ITEM | DESCRIPTION | MATERIAL | FINISH |
|------|----------------------------------|--------------|---------------|
| 12 | LABEL | POLYESTER | BLACK/ORANGE |
| 11 | MC SOCKET CONTACT | COPPER ALLOY | GOLD PLATED |
| 10 | MC FEMALE INSERT | PVC | BLACK |
| 9 | MC COUPLING NUT | ZINC ALLOY | BLACK E-COAT |
| 8 | CABLE, 16AWG-3 TYPE TC-ER, STDDW | PVC | GRAY |
| 7 | QC SOCKET CONTACT | COPPER ALLOY | GOLD PLATED |
| 6 | QC FEMALE INSERT | PVC | BLACK |
| 5 | QC FEMALE COUPLING NUT | ALUMINUM | CLEAR ANODIZE |
| 4 | QC PIN CONTACT | COPPER ALLOY | GOLD PLATED |
| 3 | QC MALE INSERT | PVC | BLACK |
| 2 | QC MALE COUPLING NUT | ALUMINUM | CLEAR ANODIZE |
| 1 | OVERMOLD | PVC | GRAY |

| | | |
|-------|-------------|------------|
| REV D | DESCRIPTION | DATE |
| B | REVISED | 2010/01/20 |

| | |
|----------------|-------|
| QUALITY SYMBOL | VALUE |
| ▽=0 | |
| ∇=0 | |

| GENERAL TOLERANCES (UNLESS SPECIFIED) | |
|--|------|
| | INCH |
| 4 PLACES | ±--- |
| 3 PLACES | ±--- |
| 2 PLACES | ±--- |
| 1 PLACE | ±--- |
| ANGULAR ±---° | |
| DRAFT WHERE APPLICABLE MUST REMAIN WITHIN DIMENSIONS | |

| DIMENSION STYLE | |
|-----------------|------------|
| INCH | |
| DRAWN BY | DATE |
| KJOZWIK | 2010/01/15 |
| CHECKED BY | DATE |
| BWOODMAN | 2010/01/15 |
| APPROVED BY | DATE |
| JFMURPHY | 2010/01/20 |
| MATERIAL NO. | |
| SEE TABLE | |
| SIZE | |
| C | |

| SCALE | DESIGN UNITS | THIRD ANGLE PROJECTION | |
|----------------------|--------------|------------------------|--|
| 1:1 | INCH | | |
| TITLE | | | |
| BRAD POWER | | | |
| QC 3 POLE TEE | | | |
| W/3 POLE MC CBL DROP | | | |
| MOLEX INCORPORATED | | | |
| DOCUMENT NO. | | SHEET NO. | |
| SD-130068-013 | | 1 OF 1 | |

THIS DRAWING CONTAINS INFORMATION THAT IS PROPRIETARY TO MOLEX INCORPORATED AND SHOULD NOT BE USED WITHOUT WRITTEN PERMISSION