

HC-SMR-B24


Order No.: 1687985

The illustration shows version HC-SMR- B 6



<http://eshop.phoenixcontact.de/phoenix/treeViewClick.do?UID=1687985>

HEAVYCON connector assembly frame, for contact inserts of type B24

Commercial data	
GTIN (EAN)	 4 017918 892609
sales group	D022
Pack	1 pcs.
Customs tariff	85389099
Catalog page information	Page 538 (PC-2009)

Product notes

WEEE/RoHS-compliant since:
07/05/2006



<http://www.download.phoenixcontact.com>
Please note that the data given here has been taken from the online catalog. For comprehensive information and data, please refer to the user documentation. The General Terms and Conditions of Use apply to Internet downloads.

Technical data

General data	
Note	For contact inserts B24, BB48, DD108 and HV10; swiveling frame
Material	PA
Inflammability class acc. to UL 94	HB
Design	B24

Certificates / Approvals



Certification

GOST

Accessories

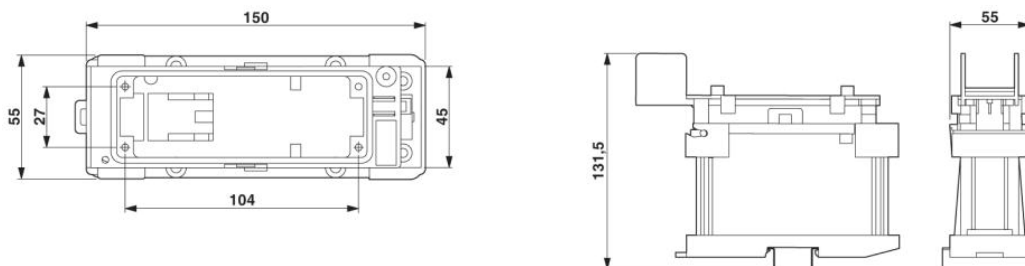
Item	Designation	Description
------	-------------	-------------

Marking

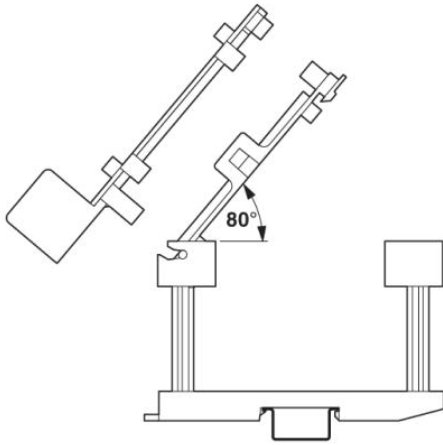
Item	Designation	Description
5031171	SS-ZB WH	Marking labels, unprinted, 5-section, for snapping into devices and components with special marker groove, labeling with M PEN or CMS system, lettering field size: 20 x 8 mm, white, for SAB boxes

Diagrams/Drawings

Dimensioned drawing



Schematic diagram



Address

PHOENIX CONTACT Inc., USA
586 Fulling Mill Road
Middletown, PA 17057, USA
Phone (800) 888-7388
Fax (717) 944-1625
<http://www.phoenixcon.com>



© 2010 Phoenix Contact
Technical modifications reserved;