

SUMMARY

Wires

Low	3
High	0
Coax	0
Triax	0
Quad	0
Fiber	0
Fluidic	0



Image is for illustrative purpose only

Download

[Request a quote](#)

[Catalog](#)

Series	03
Termination type	Female solder
IP rating	68
Cable Ø	2.70 - 3.00 mm
Matching parts	
Status	
Alternative part	

TECHNICAL DETAILS

Mechanics

Shell Style/Model	PVG*: Free socket with cable collet
Keying	
Housing Material	Brass (chrome plated) shell and collet nut, nickel plated brass latch sleeve and mid pieces
Cable Fixing	∅ 2.7 - 3 mm
Variant	

Performance

Configuration
Insulator
Rated Current

Specifications

Contact Type: Solder
Max. Matings: 5000
Contact Dia.: 0.5 mm (0.02in)
Bucket Dia.: 0.4 mm (0.016in)
Max. Solid Conductor: 0.09 mm ² (AWG 28)
Max. Stranded Conductor: 0.05 mm ² (AWG 30)

R (max): 8.7 mOhm

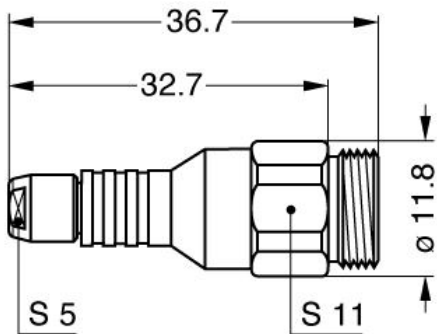
Others

Pressure: 60 bars (120 bars with LEMO cable assembly)

IP Rating: 68

DRAWINGS

Draws



Dimensions

	A	L	M	S1	S2
mm.	11.8	36.7	32.7	11	5
in.	0,46	1,44	1,29	0,43	0,20

RECOMMENDED BY LEMO

Tools

None

Cables

003 050

PVC

Black

