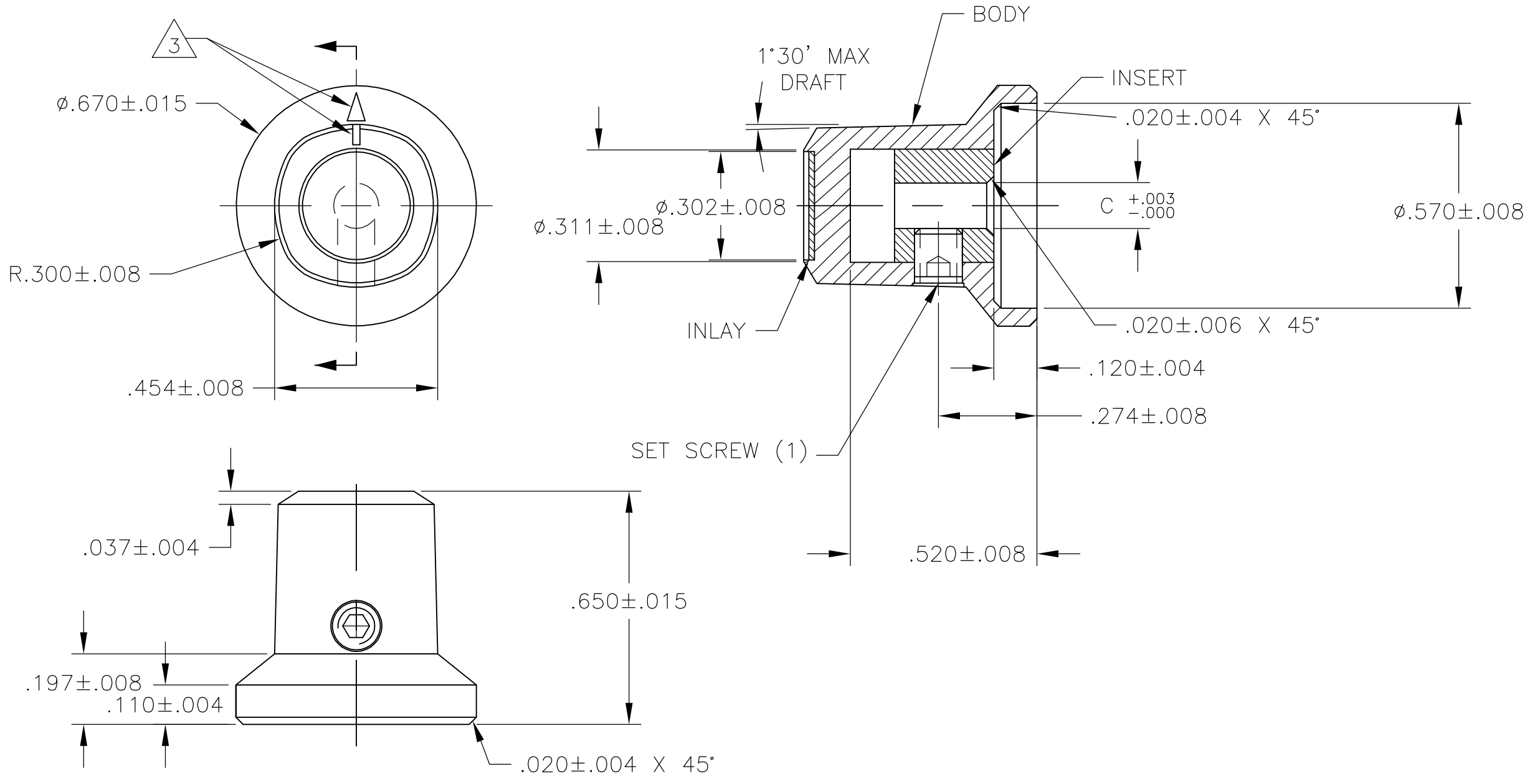


THIS DRAWING IS UNPUBLISHED. RELEASED FOR PUBLICATION
 © COPYRIGHT BY TYCO ELECTRONICS CORPORATION. ALL RIGHTS RESERVED.

LOC	DIST	REVISIONS					
AD	0	P	LTR	DESCRIPTION	DATE	DWN	APVD
		C		REV PER EC 0G3C-0060-04	07MAR2007	RB	MZ



- MATERIAL AND FINISH:
 SKIRT AND INLAY: ALUMINUM $.016 \pm .003$ THK., CLEAR ACRYLIC COATED
 BODY: PHENOLIC, BLACK, HIGH GLOSS FINISH (SPE/SPI#A2)
 SET SCREW: 303 STAINLESS STEEL, BLACK ANODIZED
 INSERT: BRASS

- SET SCREW ARE UNC-2A, CUP POINT, HEX SOCKET TYPE.
- INDICATOR, PAINTED FULL, COLOR: WHITE; $.02 \pm .01$ DEEP
- RETENTION FORCE OF INSERT IN KNOB BODY: 2 LBS MIN.

OBSOLETE	#6-32 X .188	.126	PKF50B1/8	5-1437624-5
	#6-32 X .188	.251	PKF50B1/4	5-1437624-4
	SET SCREW	C	MODEL NUMBER	PART NUMBER
	SHAFT HOLE			

THIS DRAWING IS A CONTROLLED DOCUMENT.		DWN	M.BINNER	02APR03	Tyco Electronics Corporation Harrisburg, Pa 17105-3608			
DIMENSIONS: INCHES		CHK	-	-	NAME			
TOLERANCES UNLESS OTHERWISE SPECIFIED:		APVD	-	-	PKF SERIES KNOB			
0 PLC $\pm -$ 1 PLC $\pm -$ 2 PLC $\pm -$ 3 PLC $\pm -$ 4 PLC $\pm -$ ANGLES $\pm 2'$		PRODUCT SPEC	-	-	-			
MATERIAL		APPLICATION SPEC	-	-	SIZE	CAGE CODE	DRAWING NO	RESTRICTED TO
FINISH		WEIGHT	-	-	A3	00779	C-5-1437624-5	-
CUSTOMER DRAWING					SCALE	1:1	SHEET	1 OF 1
					REV	C		