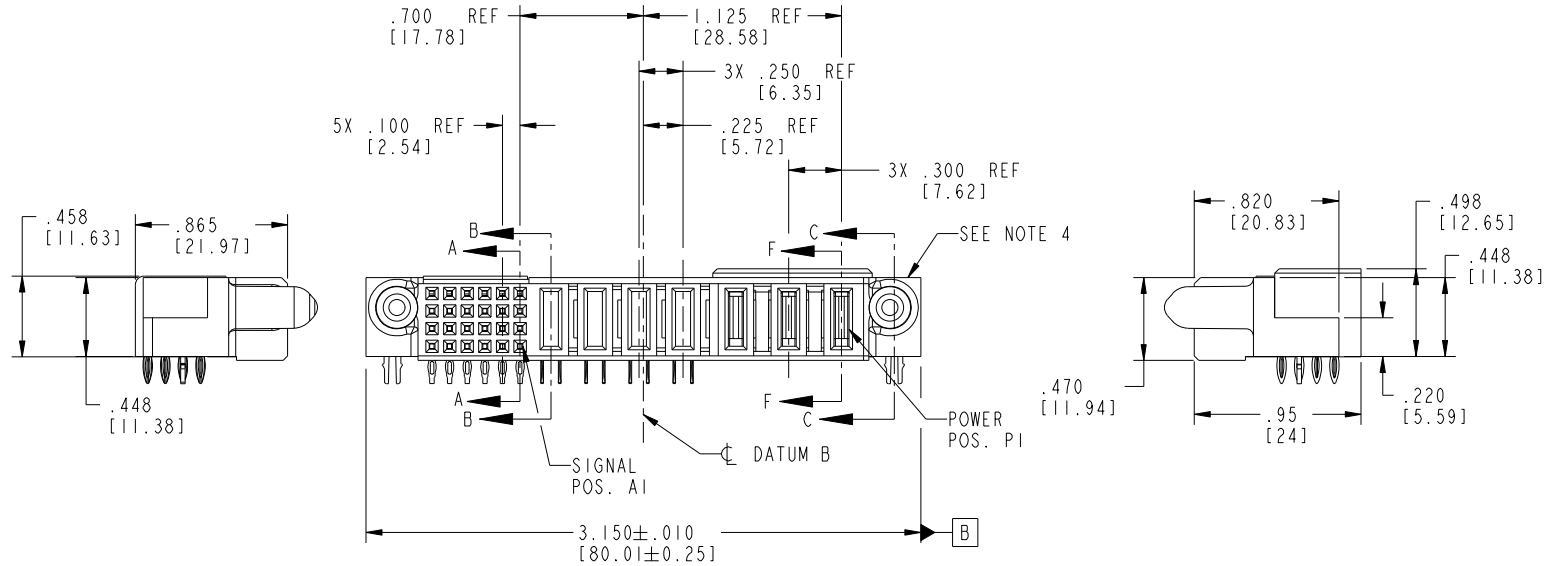
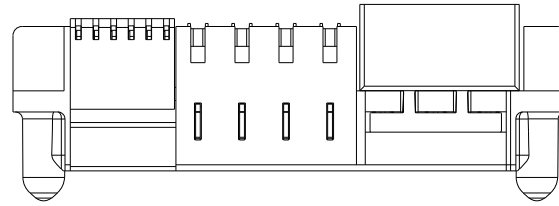


Tous droits strictement reserves. Reproduction ou communication a des tiers interdite sous quelque forme que ce soit sans autorisation écrite du propriétaire. Propriete de c FCI. Droits de reproduction FCI.



All rights strictly reserved. Reproduction or issue to third parties in any form whatever is not permitted without written authority from the proprietor. Property of FCI. Copyright FCI.

PRODUCT NO.	ROWS	SIGNAL					POWER					E1			
		E2	6	5	4	3	2	1	P7	P6	P5		P4	P3	P2
51923-003-- NOTE: 3	D C B A	S	S	S	S	S	P	P	P	P	P	P	P	P	P
		R	R	R	R	R	N	N	N	N	N				
		P	P	P	P	P									
		N	N	N	N	N									



CODE	DIM "M" MATING LENGTH	CONTACT TYPE
N	N/A [N/A]	SIGNAL
P	N/A [N/A]	SIGNAL
R	N/A [N/A]	SIGNAL
S	N/A [N/A]	SIGNAL
PF	.092 [2.34]	POWER
PG	.042 [1.07]	POWER
PH	.092 [2.34]	POWER
HA	N/A [N/A]	HOLD-DOWN

mat'l code SEE NOTE 2				tolerances unless otherwise specified		CUSTOMER		www.fciconnect.com	
ltr	ecn no.	dr	date	linear	.XX±.01/0.X±0.3	COPY		title	
A	V04-1008	TAB	10/06/04		.XXX±.005/0.XX±0.13	projection		3ACP + 4P + 24S	
B	DG05-0570	GuoJM	12/27/05		.XXX±.0020/0.XXX±0.051			R/A PF RCPT CABLE PORT	
C	DG08-0273	WD	12/12/08	angles	0°±2°	INCH/MM		product family PwrBlade code 213	
				enr	T. BRUNGARD 10/06/04	scale 1:1		size dwg no 213	
				chr	M. GRAY 10/06/04			sheet 1 of 4	
				appd	M. GRAY 10/06/04			A 51923-003	
sheet index	revision sheet	C	C	C	C			cage code 22526	
		1	2	3	4				

1 | 2

Pro/E

3 |

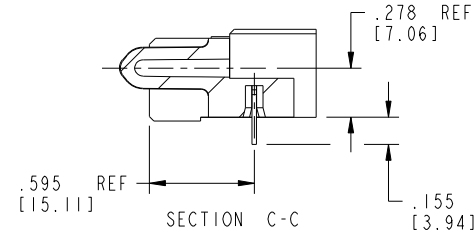
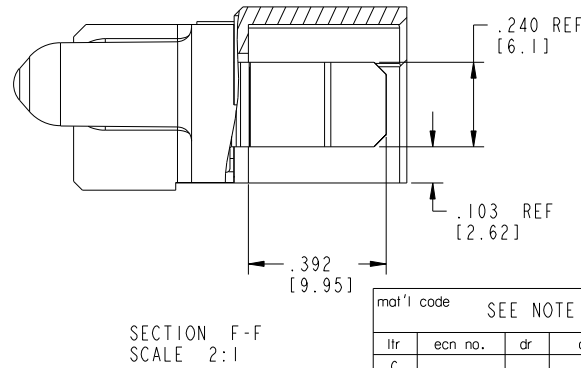
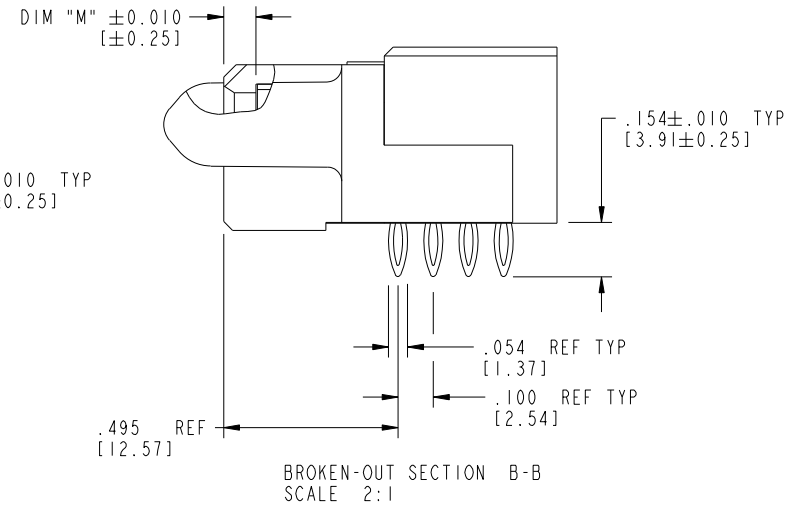
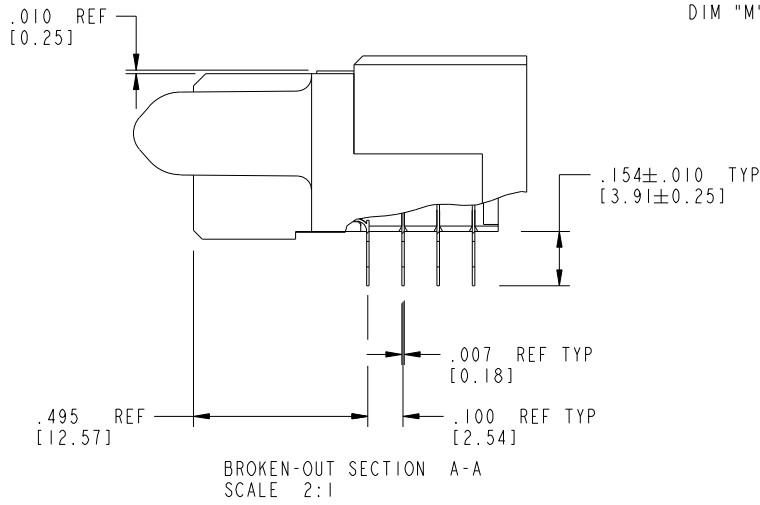
cage code 22526

4

Tous droits strictement réservés. Reproduction ou communication à des tiers interdite sous quelque forme que ce soit sans autorisation écrite du propriétaire. Propriété de c.FCI. Droits de reproduction FCI.

All rights strictly reserved. Reproduction or issue to third parties in any form whatever is not permitted without written authority from the proprietor. Property of FCI. Copyright FCI.

PRODUCT NUMBER
51923-003__
NOTE: 3



mat'l code		SEE NOTE 2		tolerances unless otherwise specified		CUSTOMER		FCI		www.fciconnect.com	
lfr	ecn no.	dr	date	linear	.XX±.01/0.X±0.3	projection	COPY	title		3ACP + 4P + 24S	
C					.XXX±.005/0.XX±0.13			R/A PF RCPT CABLE PORT		product family	
				angles	.XXX±.002/0.XXX±0.051			product family		PwrBlade	code
				dr	0°±2°			size		dwg no	213
				enr	T. BRUNGARD 10/06/04			scale		A	51923-003
				chr	M. GRAY 10/06/04			sheet		2 of 4	
				appd	M. GRAY 10/06/04			cage code		22526	
sheet index	revision sheet										

Pro/E

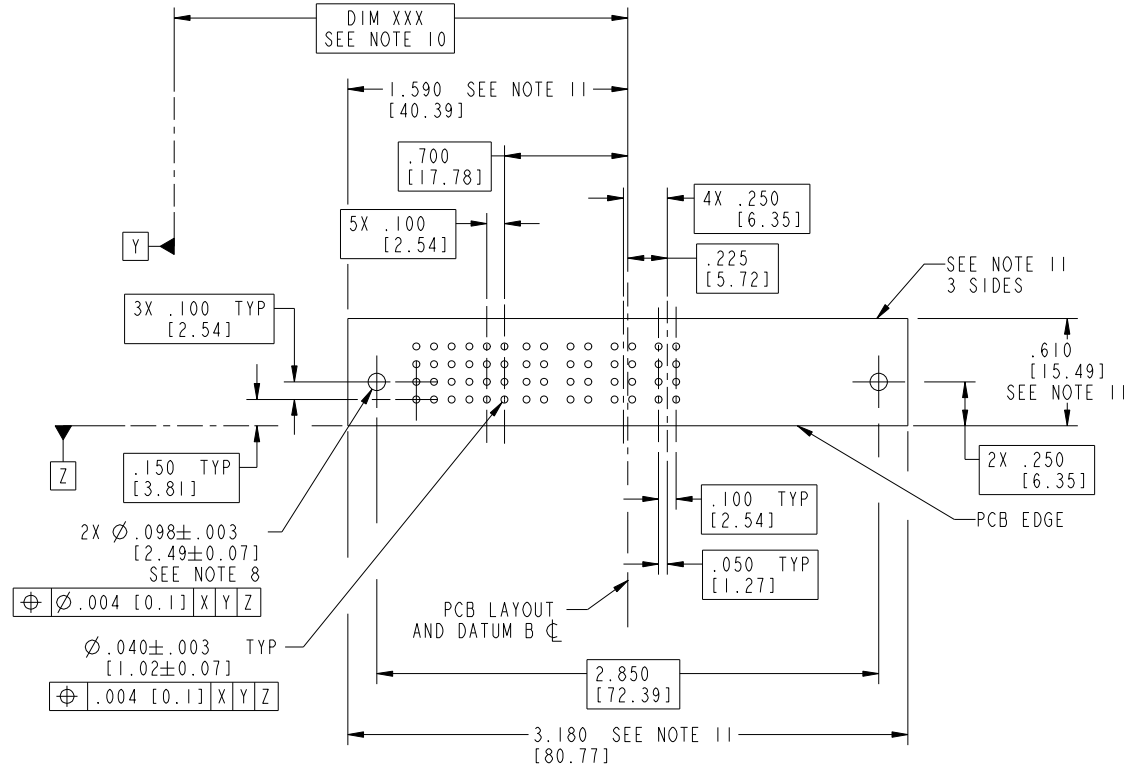
cage code 22526

Tous droits strictement reserves. Reproduction ou communication a des tiers interdicte sous quelque forme que ce soit sans autorisation ecrite du proprietaire. Propriete de c FCI. Droits de reproduction FCI.



All rights strictly reserved. Reproduction or issue to third parties in any form whatsoever is not permitted without written authority from the proprietor. Property of FCI. Copyright FCI.

PRODUCT NUMBER
51923-003__
NOTE: 3



mat'l code SEE NOTE 2				tolerances unless otherwise specified		CUSTOMER			
ltr	ecn no.	dr	date	linear	.XX±.01/0.X±0.3	COPY		www.fciconnect.com	
C				angles	.XXX±.005/0.XX±0.13	projection		title 3ACP + 4P + 24S	
				dr	.XXX±.002/0.XXX±0.051			R/A PF RCPT CABLE PORT	
				enr	0°+2°	INCH/MM		product family PwrBlade code 213	
				chr	T. BRUNGARD 10/06/04	scale 1:1		size dwg no 51923-003 sheet 2 of 4	
				appd	M. GRAY 10/06/04			3 of 4	
sheet index		revision sheet							

cage code 22526

Pro/E

Tous droits strictement reserves. Reproduction ou communication a des tiers interdite sous quelque forme que ce soit sans autorisation écrite du propriétaire. Propriete de c FCI. Droits de reproduction FCI.



All rights strictly reserved. Reproduction or issue to third parties in any form whatsoever is not permitted without written authority from the proprietor. Property of FCI. Copyright FCI.

PRODUCT NUMBER
51923-003__
NOTE: 3

NOTES:

1. DIMENSIONS AND TOLERANCES ARE IN ACCORDANCE WITH ASME Y14.5M, 1994 UNLESS OTHERWISE SPECIFIED.

CONNECTOR NOTES:

2. HOUSING MATERIAL: UL 94 V-0 GLASS FILLED HIGH-TEMP THERMOPLASTIC

POWER CONTACT MATERIAL: COPPER ALLOY
SIGNAL PIN MATERIAL: COPPER ALLOY

3. SEE ITEM 5 & 5 IN PRINT 10064183 FOR PLATING SPEC OF 51923-003 AND 51923-003LF RESPECTIVELY.

4. MANUFACTURER'S NAME, P/N, AND DATE CODE TO APPEAR ON THIS SURFACE.

5. PRODUCT SPECIFICATION GS-12-149.
APPLICATION SPECIFICATION BUS-20-067.

6. PACKAGED IN TRAYS.

PCB NOTES:

7. ALL HOLE DIAMETERS ARE FINISHED HOLE SIZE.

8. MOUNTING HOLES, WHERE APPLICABLE, ARE UNPLATED.

9. $\varnothing .0453 \pm .0010$ [1.151 \pm 0.025] DRILLED HOLES PLATED WITH .0003 [0.008] MIN SnPb OVER .001 [0.03] TO .003 [0.08] Cu PLATING TO ACHIEVE $\varnothing .040 \pm .003$ [1.02 \pm .07] HOLE.

10. "DIM XXX" TO BE DETERMINED BY THE CUSTOMER.

11. CONNECTOR KEEP-OUT ZONE.

12. USE FCI CAM TOOL 430140-019 TO APPLY CONNECTOR TO PCB.

13. A Δ SYMBOL WILL BE NEXT TO ANY DIMENSION, VIEW, OR NOTE WHICH HAS BEEN MODIFIED WITH THE CURRENT DRAWING REVISION.

mat'l code		SEE NOTE 2		tolerances unless otherwise specified		CUSTOMER		www.fciconnect.com		
ltr	ecn no.	dr	date	linear	.XX+.01/0.X+.0.3		COPY			title 3ACP + 4P + 24S R/A PF RCPT CABLE PORT
C					.XXX+.005/0.XX+.0.13		INCH/MM			
				angles	.XXX+.0020/0.XXX+.0.051		scale 1:1			
				dr	0°+2°					
				enr	T. BRUNGARD	10/06/04				
				chr	M. GRAY	10/06/04				
				appd	M. GRAY	10/06/04				
sheet index	revision sheet									

cage code 22526

1 | 2

3 |

4

1 | 2

Pro/E

3 |

4