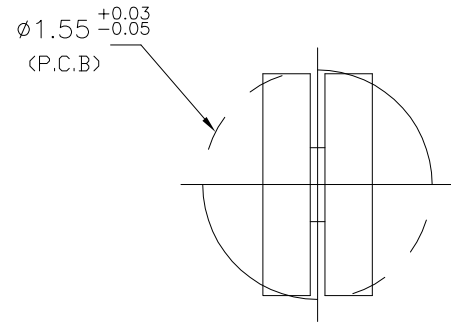
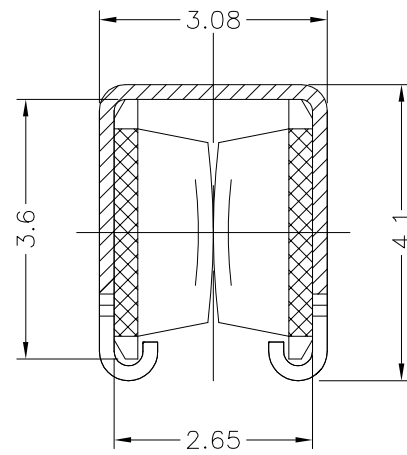


THIS DRAWING IS UNPUBLISHED. RELEASED FOR PUBLICATION
 © COPYRIGHT BY TYCO ELECTRONICS CORPORATION, ALL RIGHTS RESERVED.

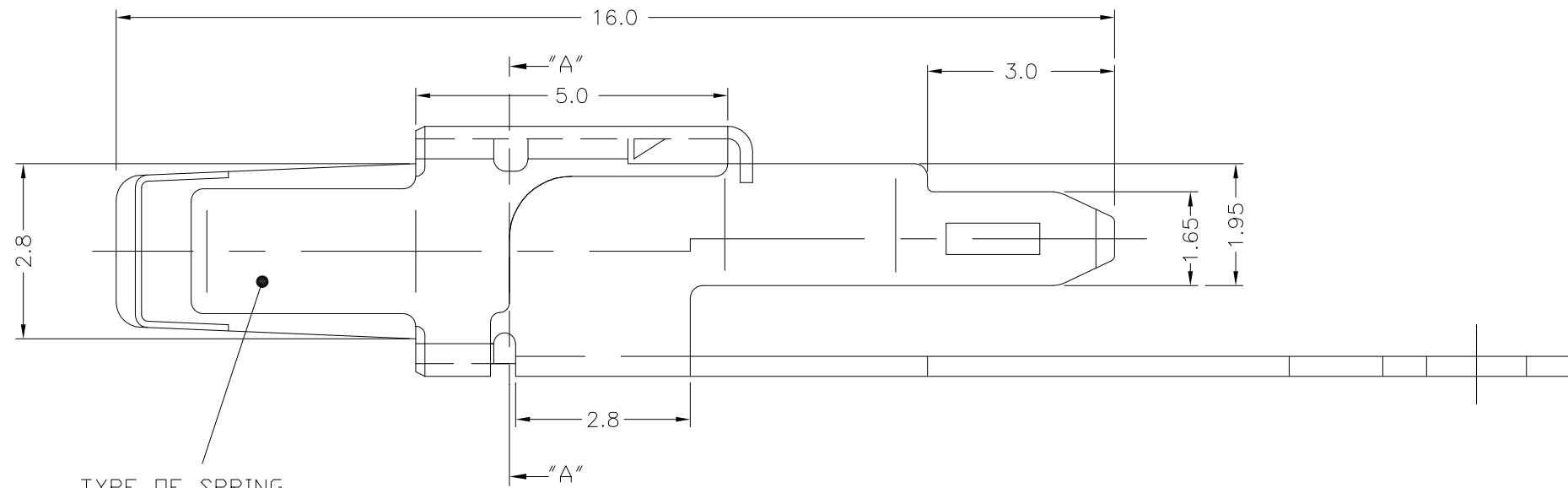
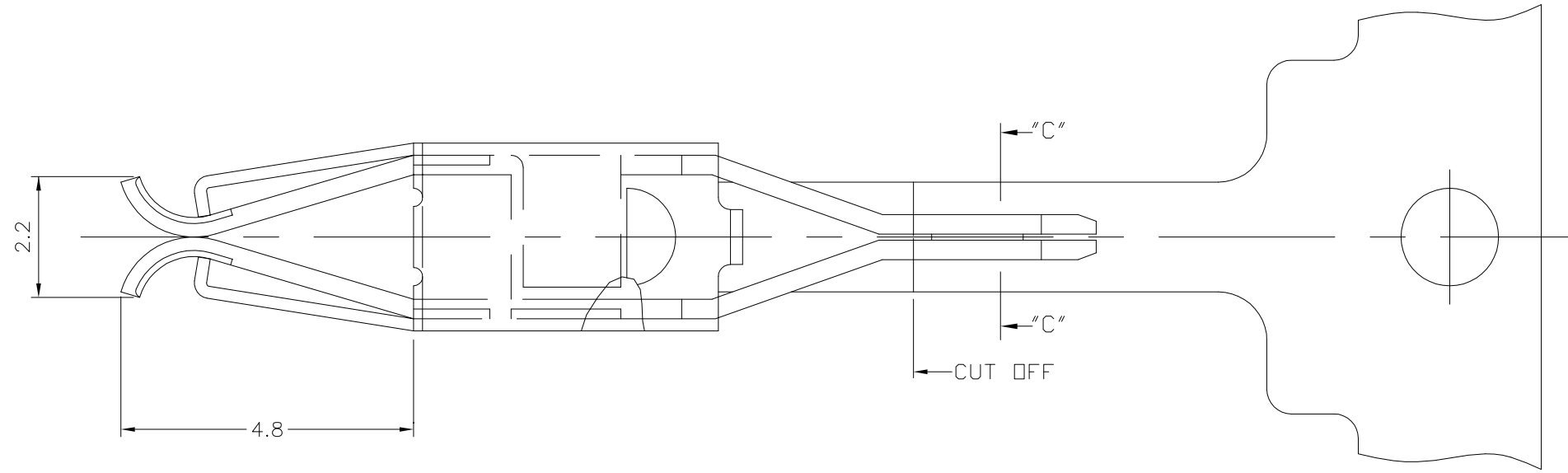
LOC	DIST	REVISIONS					
DS	-	P	LTR	DESCRIPTION	DATE	DWN	APVD
			H	REVISED (ECR-10-017260)	17.SEP.'10	KT	HG
			J	REVISED (ECR-15-001329)	29.JAN.'15	JD	JK



SECTION "C-C"
SCALE = 20:1



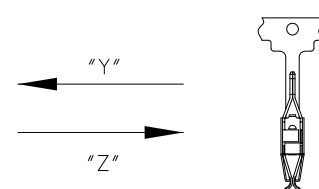
SECTION "A-A"



TYPE OF SPRING

①	PRE-TINNED	MAKE FROM 368067-2	4-368067-1	"Z"	CONTI' CHINA
	PRE-TINNED	MAKE FROM 368067-2	3-368067-2	-	LOOSE PIECE
	PRE-TINNED	CuNiSi 0.32Thk	2-368067-1	"Y"	LOCAL ONLY
	PRE-TINNED	CuNiSi 0.32Thk	368067-3	"Z"	EXPORT ONLY
	PRE-TINNED	CuNiSi 0.32Thk	1-368067-2	"Y"	-
	PRE-TINNED	CuNiSi 0.32Thk	368067-2	"Z"	-
	FINISH	MATERIAL	P/N	REEL DIRECTION	REMARKS

DIRECTION OFF TOP OF REEL



THIS DRAWING IS A CONTROLLED DOCUMENT FOR TYCO ELECTRONICS CORPORATION
 IT IS SUBJECT TO CHANGE AND THE CONTROLLING ENGINEERING ORGANIZATION
 SHOULD BE CONTACTED FOR THE LATEST REVISION.

DIMENSIONS: MM	TOLERANCES UNLESS OTHERWISE SPECIFIED: 0 <XXX<10 ± 0.2 10<XXX<30 ± 0.25 30<XXX<100 ± 0.3 ANGLES ± 3°
MATERIAL SEE TABLE	FINISH SEE TABLE

DWN JD HA	NAME STE TE Connectivity
CHK YJ YOUN	
APVD JK SONG	
PRODUCT SPEC 108-61042	
APPLICATION SPEC -	SIZE A3
WEIGHT -	CAGE CODE 00779
CUSTOMER DRAWING	DRAWING NO C-368067
	RESTRICTED TO -

SCALE 10/1	SHEET 1 OF 1	REV J
------------	--------------	-------