

# Antenna - ANT-DIR-2459-01 - 2701186

Please be informed that the data shown in this PDF Document is generated from our Online Catalog. Please find the complete data in the user's documentation. Our General Terms of Use for Downloads are valid (<http://phoenixcontact.com/download>)




Directional antenna, 2.4 GHz/5 GHz, gain: 9 dBi, polarization: linear, opening angle: h/v 75°/55°, degree of protection: IP67, seawater-resistant, connection: N (female), incl. mounting bracket and mast clips, ATEX and IECEx approval

## Why buy this product

- For use in potentially explosive areas
- Salt water resistant
- For large distances
- For stationary or linear mobile applications
- For point-to-point connections



## Key Commercial Data

|              |   |
|--------------|---|
| Packing unit | 1 STK   |
| GTIN         | <br>4 046356 717182 |
| GTIN         | 4046356717182   |

## Technical data

### Dimensions

|        |        |
|--------|--------|
| Width  | 80 mm  |
| Height | 101 mm |
| Length | 35 mm  |

### Ambient conditions

|   |                  |
|---|------------------|
| Degree of protection                    | IP67             |
| Ambient temperature (operation)         | -40 °C ... 75 °C |
| Ambient temperature (storage/transport) | -40 °C ... 75 °C |

### General

|                       |         |
|-----------------------|---------|
| With connecting cable | No      |
| Frequency range       | 2.4 GHz |

# Antenna - ANT-DIR-2459-01 - 2701186

## Technical data

### General

|                      |                                  |
|----------------------|----------------------------------|
|                      | 5 GHz                            |
|                      | 2.4 GHz ... 2.5 GHz              |
|                      | 5.15 GHz ... 5.875 GHz           |
| Horizontal beamwidth | 75 ° (at 2.4 GHz)                |
| Vertical beamwidth   | 55 ° (at 2.4 GHz)                |
| Polarization         | Linear vertical                  |
| Impedance            | 50 Ω                             |
| Gain                 | 9 dBi                            |
| Wind velocity        | 160 km/h (Has a force of 15 N)   |
| Connection method    | N (female)                       |
| Conformance          | CE-compliant                     |
| ATEX                 | # II 1G Ex ia IIC T6 Ga          |
| IECEX                | Ex ia IIC T6 Ga                  |
| Material             | Lexan EXL 9330 (Antenna housing) |
|                      | V2A (Bracket)                    |
|                      | V2A (Mast clip)                  |
| Mounting type        | Mast mounting or wall mounting   |
| External diameter    | 25 mm ... 85 mm (Mast)           |

### Standards and Regulations

|                       |                         |
|-----------------------|-------------------------|
| Standards/regulations | EN 60079-0              |
|                       | EN 60079-11             |
|                       | EN 60079-26             |
| Conformance           | CE-compliant            |
| ATEX                  | # II 1G Ex ia IIC T6 Ga |
| IECEX                 | Ex ia IIC T6 Ga         |

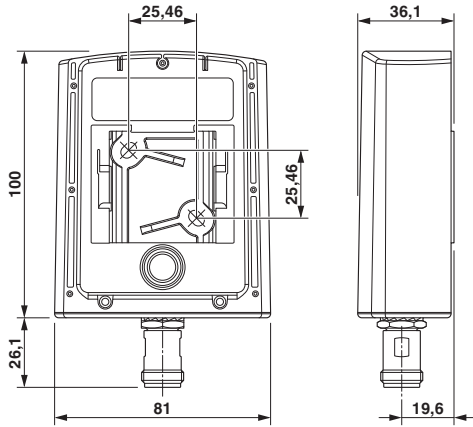
### Environmental Product Compliance

|            |   |
|------------|---|
| REACH SVHC | Lead 7439-92-1  |
| China RoHS | Environmentally Friendly Use Period = 25;   |
|            | For details about hazardous substances go to tab "Downloads", Category "Manufacturer's declaration" |

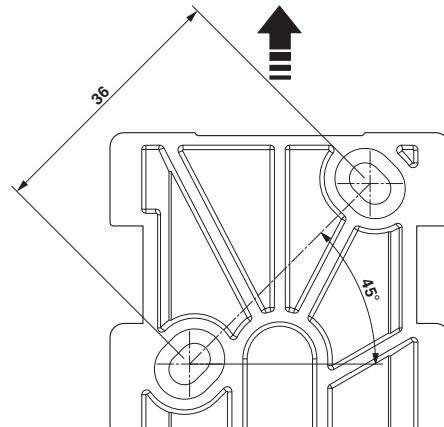
### Drawings

# Antenna - ANT-DIR-2459-01 - 2701186

Dimensional drawing

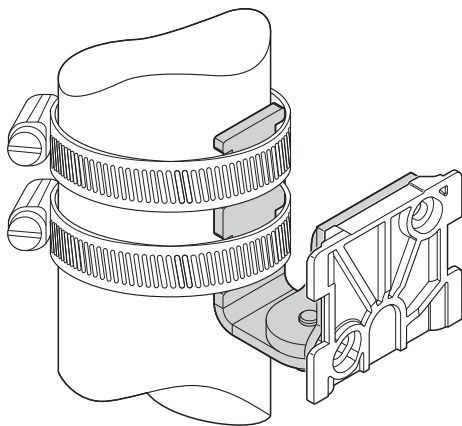


Dimensional drawing



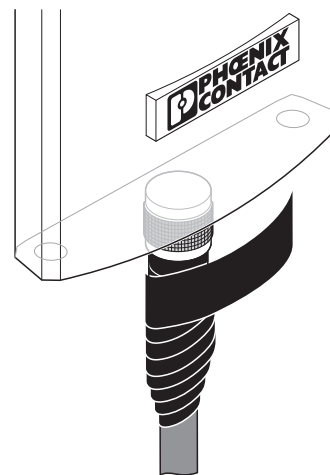
Mounting plate

Schematic diagram



Mast mounting

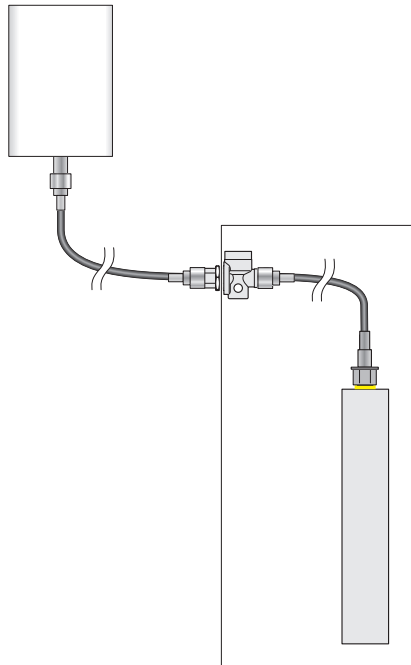
Schematic diagram



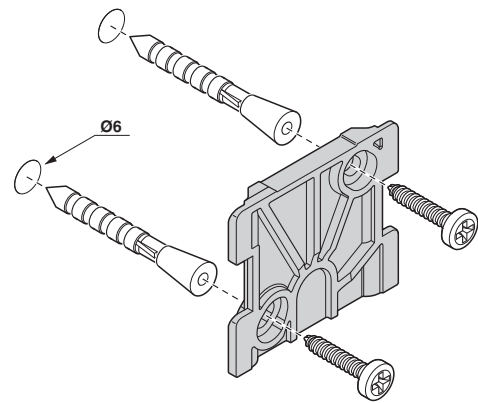
Sealing tape

# Antenna - ANT-DIR-2459-01 - 2701186

Schematic diagram



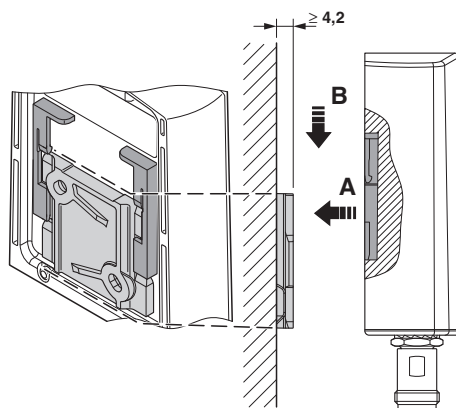
Schematic diagram



Mounting plate

Installation example

Schematic diagram



Wall mounting

Phoenix Contact 2018 © - all rights reserved  
<http://www.phoenixcontact.com>

PHOENIX CONTACT GmbH & Co. KG  
Flachsmarktstr. 8  
32825 Blomberg  
Germany  
Tel. +49 5235 300  
Fax +49 5235 3 41200  
<http://www.phoenixcontact.com>