

4

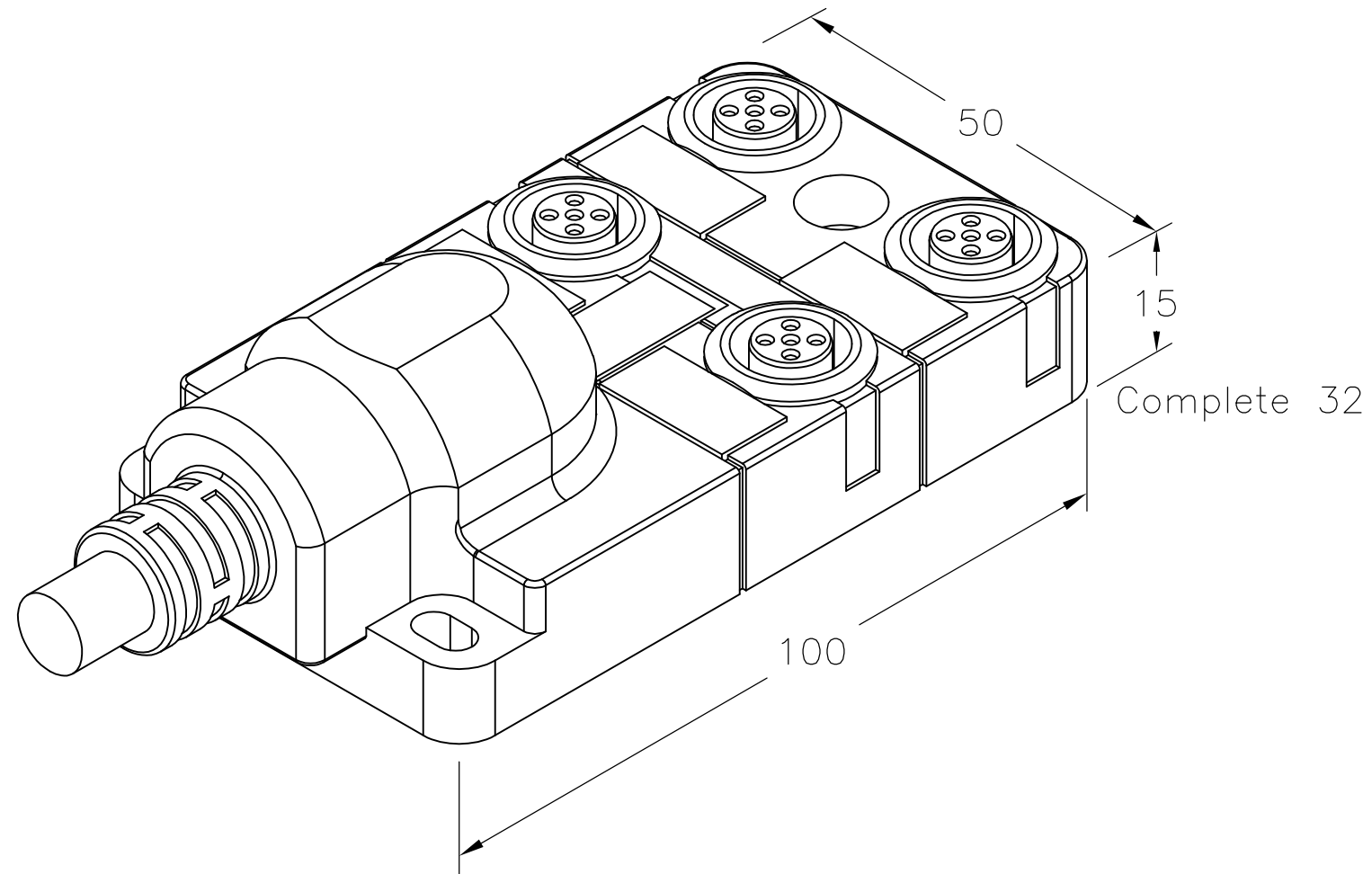
3

2

1

THIS DRAWING IS UNPUBLISHED. RELEASED FOR PUBLICATION - , - .
 © COPYRIGHT - By - ALL RIGHTS RESERVED.

LOC	DIST	REVISIONS					
H	-	P	LTR	DESCRIPTION	DATE	DWN	APVD
		A		INITIAL RELEASE	16JAN2014	GSK	BvH



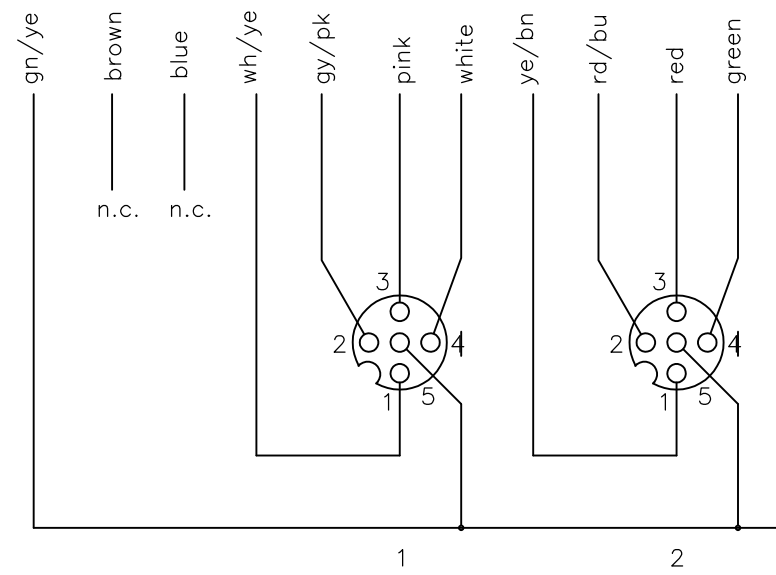
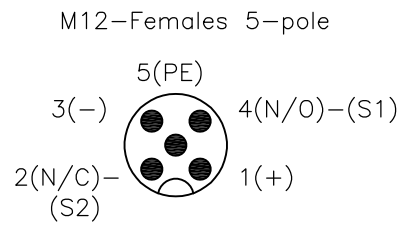
With PUR/PV Homerun Cable 10m	2273155-1
DESCRIPTION	TE PN

THIS DRAWING IS A CONTROLLED DOCUMENT.		DWN	16JAN2014	STE TE Connectivity		
		CHK	16JAN2014			
DIMENSIONS: mm		TOLERANCES UNLESS OTHERWISE SPECIFIED:		NAME		
		0 PLC ± -		A.VAN ZANDVOORT		
		1 PLC ± -		PRODUCT SPEC		
		2 PLC ± -		APPLICATION SPEC		
		3 PLC ± -		SIZE		
		4 PLC ± -		CAGE CODE		
		ANGLES ± -		DRAWING NO		
MATERIAL		FINISH		RESTRICTED TO		
				A3 00779 C-2273155		
CUSTOMER DRAWING				SCALE	SHEET	REV
				NTS	1 OF 2	A

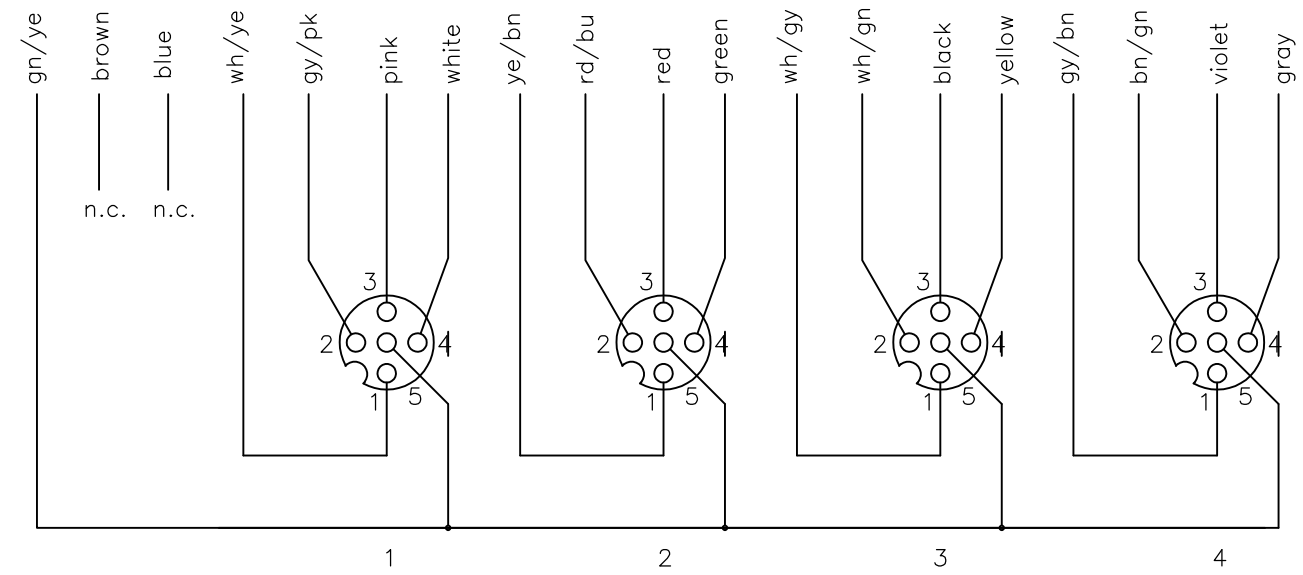
THIS DRAWING IS UNPUBLISHED. RELEASED FOR PUBLICATION
 © COPYRIGHT - By - ALL RIGHTS RESERVED.

LOC	DIST	REVISIONS			
P	LTR	DESCRIPTION	DATE	DWN	APVD
H	-	SEE SHEET 1	-	-	-

Contact layout



Circuit diagram



4xM12 →

free arrangeable, contact 1:1 on terminals
 for 5 Signal per port, possibility to bridge each PIN5

THIS DRAWING IS A CONTROLLED DOCUMENT.		DWN 16JAN2014 SATHISH KUMAR .G	TE Connectivity			
DIMENSIONS: mm		CHK 16JAN2014 B.VELDHOVEN			NAME	
TOLERANCES UNLESS OTHERWISE SPECIFIED:		APVD 16JAN2014 A.VAN ZANDVOORT	DISTR BOX M12 5POS 4WAY			
		PRODUCT SPEC	-			
0 PLC ± - 1 PLC ± - 2 PLC ± - 3 PLC ± - 4 PLC ± - ANGLES ± -		APPLICATION SPEC	-			
MATERIAL		WEIGHT	SIZE	CAGE CODE	DRAWING NO	RESTRICTED TO
-		-	A3	00779	C-2273155	-
CUSTOMER DRAWING			SCALE	SHEET	REV	
			NTS	2 OF 2	A	