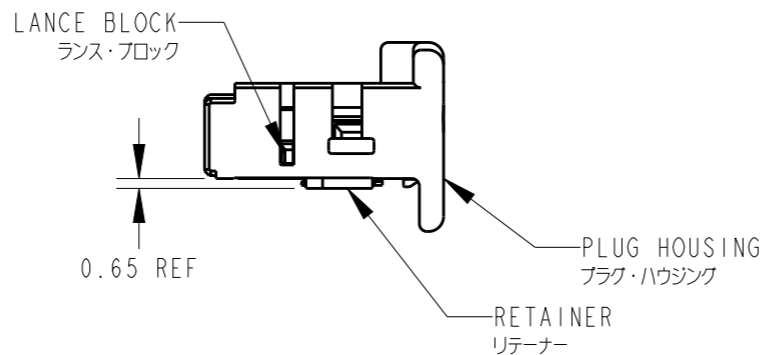
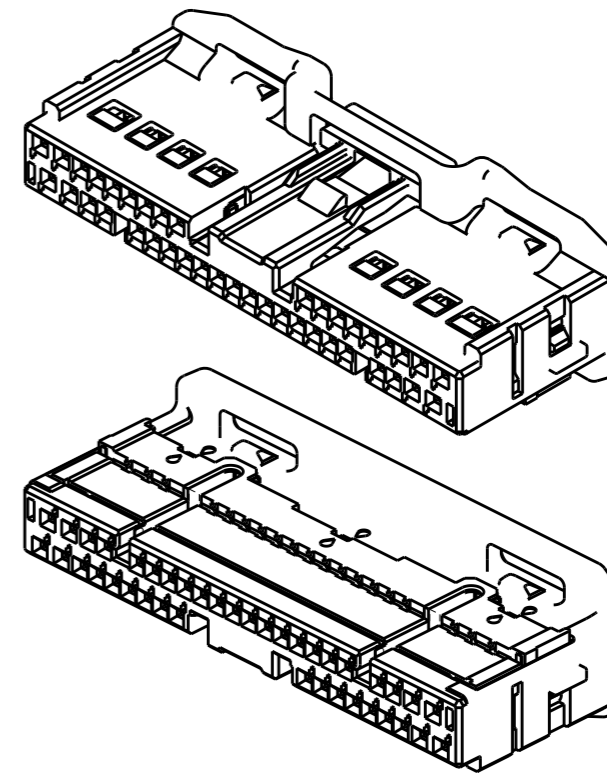
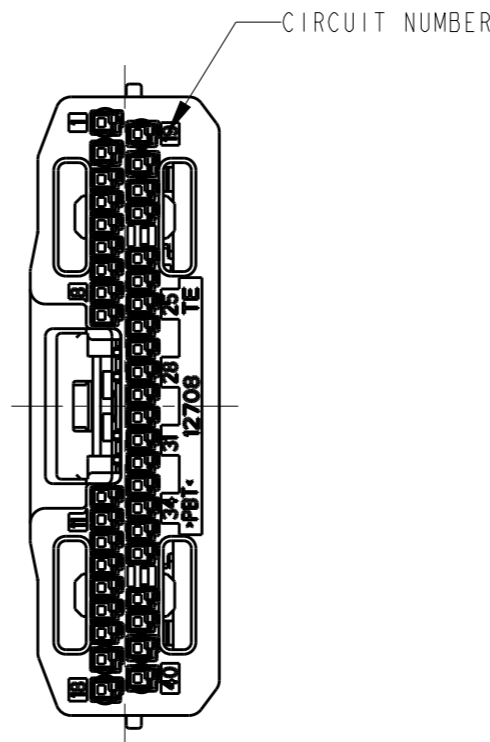
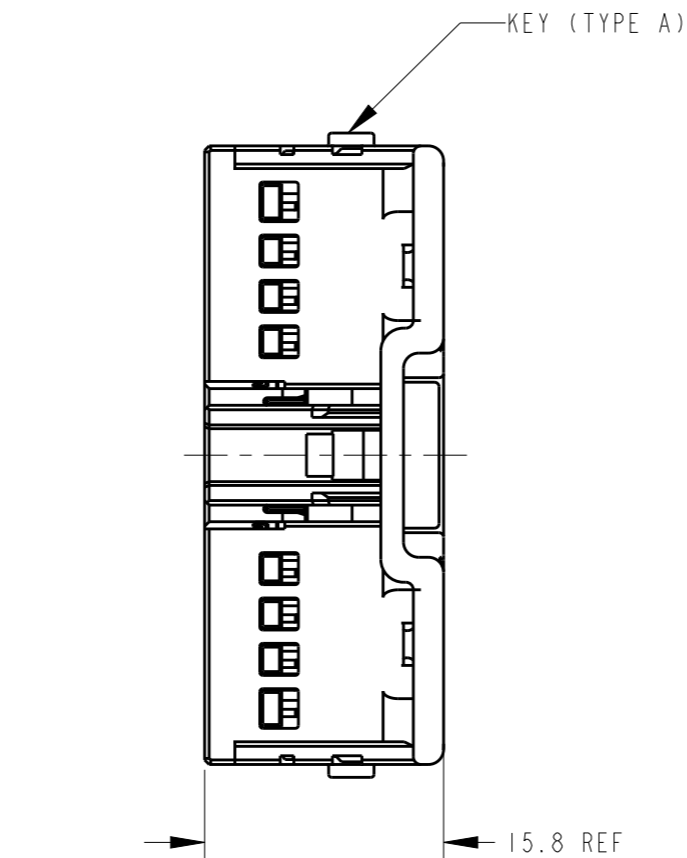
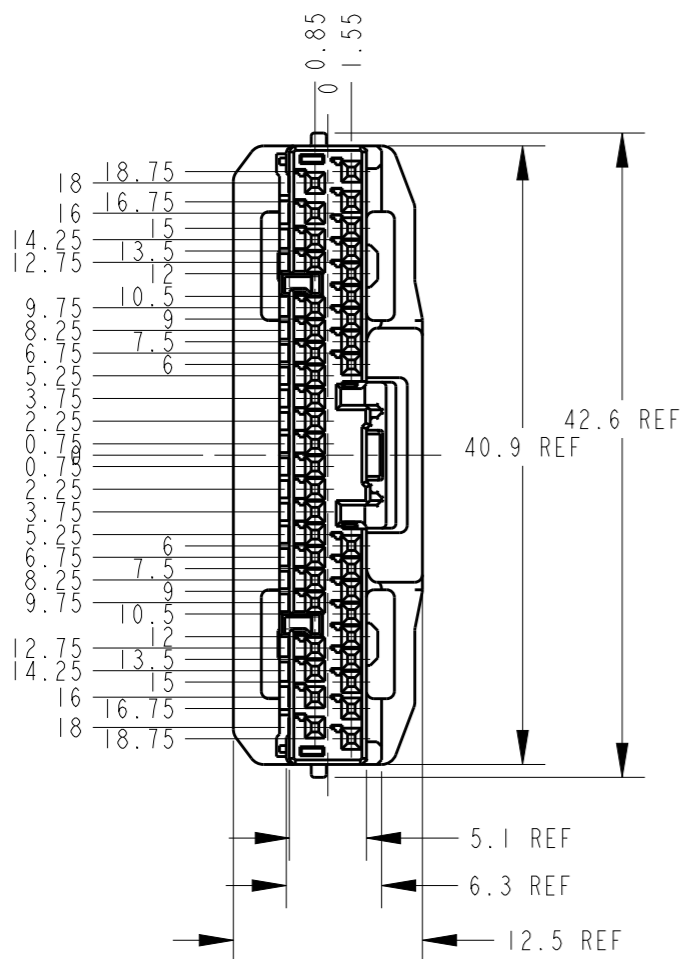


THIS DRAWING IS UNPUBLISHED. RELEASED FOR PUBLICATION 20
 © COPYRIGHT 2016 BY - ALL RIGHTS RESERVED.

REVISIONS 変更					
P	LTR	DESCRIPTION	DATE	DWN	APVD
	A	RELEASED	22JUL2008	YS	HY
	AI	REVISED ECR-16-007896	03JUN2016	KK	RK



1. 嵌合相手型番: 1827838-1, 1871806-1
PART NUMBER OF CAP HOUSING TO BE MATED:
1827838-1, 1871806-1
2. キャビティ構成: TABLE-2参照
DETAILS OF CAVITIES: SEE TABLE-2
3. 本製品の取扱は取扱説明書NO. 411-78199に従うこと
HANDLING OF THIS PART SHOULD FOLLOW
THE INSTRUCTION SHEET NO.411-78199

TABLE-1

PAPER BOX ダンボール箱	PLASTIC BAG ビニール袋	NATURAL (自然色)	1827842-1
OUTER 外装	INNER 内装	COLOR (色)	PART NUMBER (型番)
PACKING STYLE 梱包形態			

TABLE-2

POS. 極数	CIRCUIT NO 回路番号	APPLIED CONTACT P/N 適用端子型番	APPLICABLE WIRE RANGE 適用電線
32	3~16 21~38	1827855-1	CHFUS 0.22~0.35mm ²
		1827855-4	CHFUS 0.13~0.22mm ²
		1903703-1	CHFUS 0.22~0.35mm ²
8	1, 2, 17, 18, 19, 20, 39, 40	1827855-1	CHFUS 0.22~0.35mm ²
		1827855-2	CHFUS 0.35~0.5mm ²
		1827855-3	CAN 0.22mm ²
		1903703-1	CHFUS 0.22~0.35mm ²

THIS DRAWING IS A CONTROLLED DOCUMENT.

DIMENSIONS:
単位: 耗
mm

TOLERANCES UNLESS
OTHERWISE SPECIFIED:

一般公差 ±0.3

0-PLC ±

1-PLC ±0.1

2-PLC ±0.01

3-PLC ±0.001

4-PLC ±0.0001

ANGLES ±3'00"

MATERIAL
材料 PBT

FINISH
仕上 SEE TABLE-1

DWN	Y. SUEMITSU	25APR05
CHK	K. SAKAMAKI	25APR05
APVD	S. ISOHATA	25APR05
PRODUCT SPEC 製品規格	108-78208	
APPLICATION SPEC 取付適用規格	114-5379	
WEIGHT	2.63g	
CUSTOMER DRAWING		

TE TE Connectivity

NAME
名称 PLUG ASSEMBLY 40POS,
KEY TYPE-A
0.50 SERIES CONNECTOR

SIZE	CAGE CODE	DRAWING NO 番号	RESTRICTED TO
A3	00779	1827842	-

SCALE
尺度 2:1

SHEET
1 OF 1

REV
AI