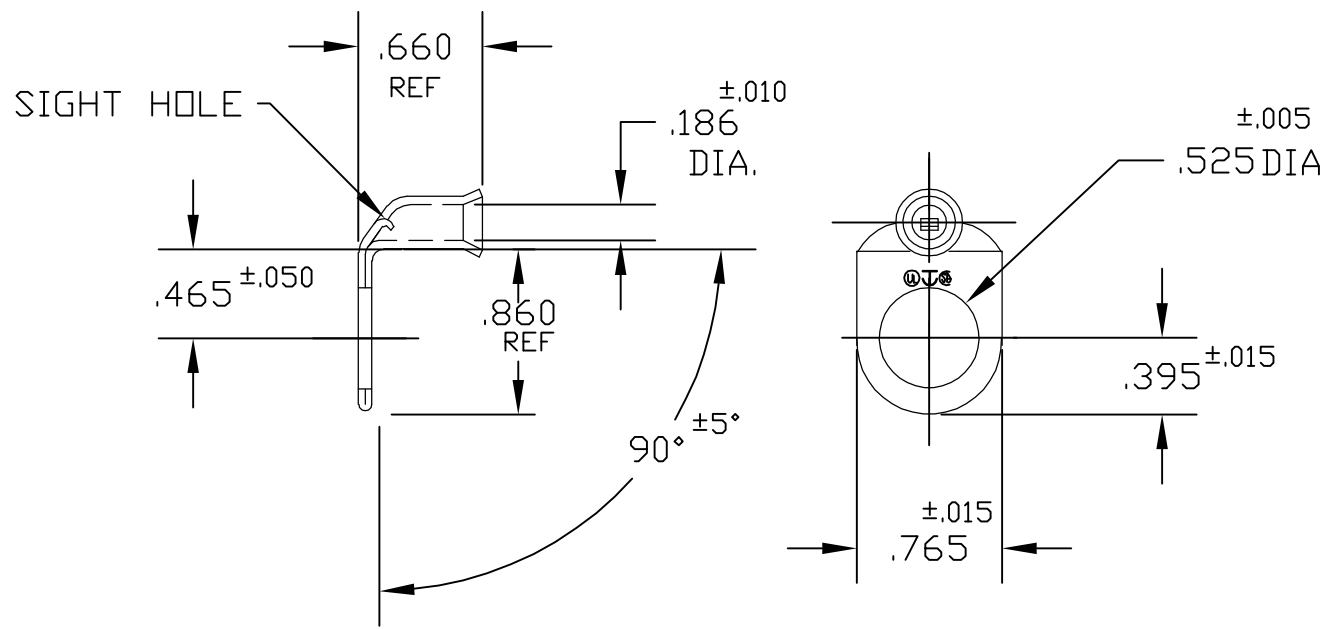


THIS DRAWING IS UNPUBLISHED. RELEASED FOR PUBLICATION  
 © COPYRIGHT - BY TYCO ELECTRONICS CORPORATION. ALL RIGHTS RESERVED.

LOC	DIST	REVISIONS					
		P	LTR	DESCRIPTION	DATE	DWN	APVD
G	50		B1	REV PER ECR 06-008180	05APR06	JR	DD



ACTIVE	8503-11-90	STANDARD	TIN PLATE	1526159-2
ACTIVE	8503-10-90	STANDARD	PLAIN	1526159-1
STATUS	AET P/N	PACKAGING	FINISH	PART NUMBER

THIS DRAWING IS A CONTROLLED DOCUMENT.		DWN D.A.A 11/1/00	Tyco Electronics Corporation Harrisburg, PA 17105-3608					
DIMENSIONS: INCHES		CHK H.D.F 11/1/00				NAME 8 STANDARD TERMINAL W/SIGHT HOLE & 90° BEND		
		APVD H.D.F 11/1/00	PRODUCT SPEC -					
		APPLICATION SPEC -	SIZE A3	CAGE CODE 00779	DRAWING NO C-1526159	RESTRICTED TO -		
MATERIAL COPPER ASTM B-152		FINISH -	WEIGHT -	CUSTOMER DRAWING		SCALE 1:1	SHEET 1 OF 1	REV B1