

6

5

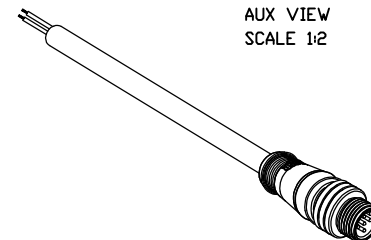
4

3

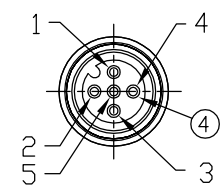
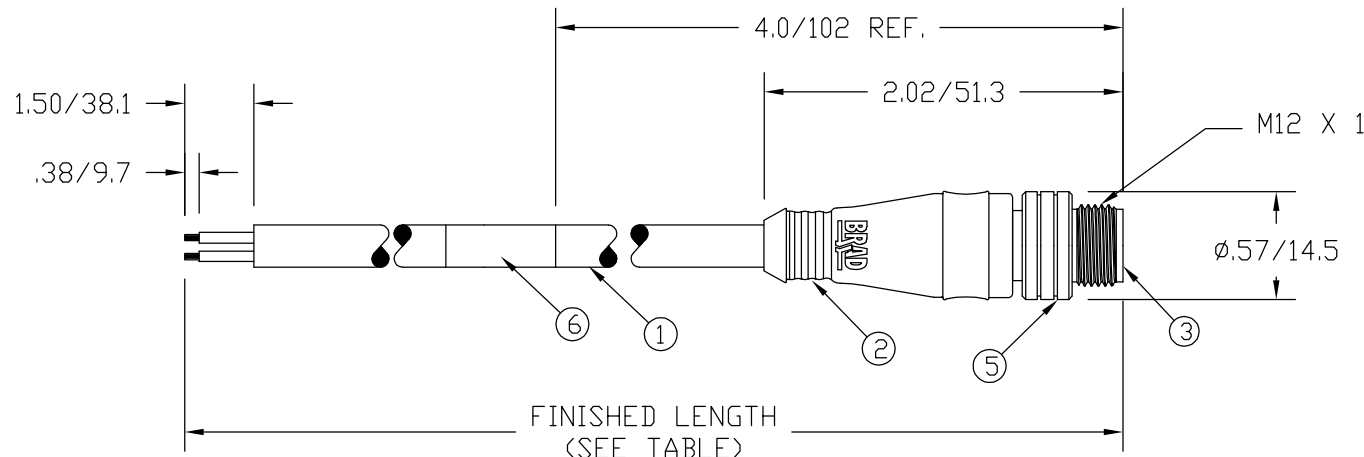
2

1

MATERIAL NUMBER	ENGINEERING NUMBER	FINISHED LENGTH
120065-1374	805006K03M020	2.0M +89mm -0 [6.56' +3.5' -0]
120065-2150	805006K03M040	4.0M +165mm -0 [13.12' +6.5' -0]
120065-2151	805006K03M050	5.0M +165mm -0 [16.40' +6.5' -0]
120065-2152	805006K03M060	6.0M +165mm -0 [19.69' +6.5' -0]
120065-2153	805006K03M100	10.0M +318mm -0 [32.81' +12.5' -0]



AUX VIEW
SCALE 1/2



MALE FACE VIEW

1	BROWN
2	WHITE
3	BLUE
4	BLACK
5	GRAY

WIRING DIAGRAM

- NOTES:
- 1) MATERIALS: SEE TABLE
 - 2) FINISHES: SEE TABLE
 - 3) CABLE: #18/5 ITC/PLTC TPE
 - 4) ELECTRICAL DATA:
MAX. VOLTAGE: 250 VAC/VDC
MAX. CURRENT: 4 AMPS
 - 5) ENVIRONMENTAL:
PROTECTION: IP67
TEMPERATURE RANGE: -20°C TO 105°C
 - 6) WRAP LABEL IS MARKED WITH P/N, DATE CODE, VOLTAGE & AMPERAGE.
 - 7) ASSEMBLY IS RoHS COMPLIANT.

ITEM	QTY.	DESCRIPTION	MATERIAL	FINISH
6	1	LABEL	MYLAR	BLACK/YELLOW
5	1	COUPLER	BRASS	TEFLON/NICKEL
4	5	PIN CONTACT	COPPER ALLOY	GOLD OVER NICKEL
3	1	INSERT	PUR	BLACK
2	1	OVERMOLD	TPE	YELLOW
1	1	#22/5 CABLE	TPE JACKET	YELLOW

RELEASED DRAWING EC NO: MEL2010-0054 DRWN: BWOODMAN 8/17/09 CHKD: YOU 2009/07/29 APPR: JFMURPHY 2009/08/21	QUALITY SYMBOLS ▽=0 ∇=0	GENERAL TOLERANCES (UNLESS SPECIFIED)		DIMENSION STYLE IN/MM		SCALE 1:1	DESIGN UNITS INCH	THIRD ANGLE PROJECTION	
		4 PLACES	mm	INCH	DRAWN BY BWOODMAN	DATE 2009/08/17	TITLE MICRO-CHANGE CORDSET 5P MA ST SINGLE KEY #18/5 YELLOW TPE CABLE		
		3 PLACES	±----	±----	CHECKED BY YOU	DATE 2009/08/17	MOLEX INCORPORATED		
		2 PLACES	±----	±0.1	APPROVED BY	DATE	DOCUMENT NO. SD-120065-021		
1 PLACE		±0.3	±----	ANGULAR ±----°		MATERIAL NO. SEE TABLE		SHEET NO. 1 OF 1	
DRAFT WHERE APPLICABLE MUST REMAIN WITHIN DIMENSIONS				THIS DRAWING CONTAINS INFORMATION THAT IS PROPRIETARY TO MOLEX INCORPORATED AND SHOULD NOT BE USED WITHOUT WRITTEN PERMISSION					

6

5

4

3

2

1