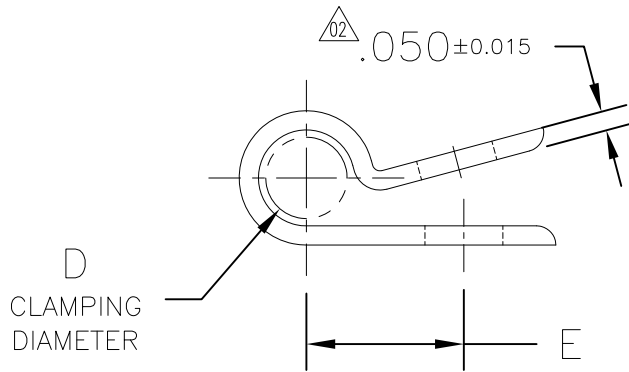
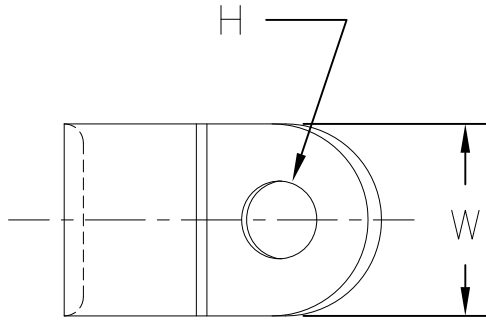


HellermannTyton

ALL PROPRIETARY RIGHTS IN THE SUBJECT MATTER SHOWN ON THIS DRAWING ARE EXCLUSIVE PROPERTY OF HELLERMANN TYTON

| name | date | city, state |
|------|------|-------------|
| | | |
| | | |
| | | |

NOTES



| PART NUMBER | D ±.015 | W ±.015 | H ±.015 | E REF |
|-------------|---------|---------|---------|-------|
| T5D0125_ | .125 | .50 | .203 | .315 |
| T5D0187_ | .1875 | .50 | .203 | .425 |
| T5D0250_ | .250 | .50 | .203 | .410 |
| T5D0312_ | .3125 | .50 | .203 | .500 |
| T5D0375_ | .375 | .50 | .203 | .530 |
| T5D0437_ | .4375 | .50 | .203 | .560 |
| T5D0500_ | .500 | .50 | .203 | .595 |
| T5D0562_ | .5625 | .50 | .203 | .606 |
| T5D0625_ | .625 | .50 | .203 | .655 |
| T5D0750_ | .750 | .50 | .203 | .780 |
| T5D0875_ | .875 | .50 | .203 | .845 |
| T5D1000_ | 1.00 | .50 | .203 | .910 |
| T5D1125_ | 1.125 | .50 | .203 | .970 |
| T5D1187_ | 1.1875 | .50 | .203 | 1.000 |
| T5D1250_ | 1.25 | .50 | .203 | 1.060 |
| T5D1375_ | 1.375 | .50 | .203 | 1.125 |
| T5D1500_ | 1.50 | .50 | .203 | 1.190 |

PRODUCT CODE DESCRIPTION

T5D0312_ _____
 COLOR
 (CONSULT FACTORY FOR AVAILABLE COLORS)

REVISION
 D level $\triangle 02$
 date 05/31/11
 by AAC
 ECN # 011860
 part level -

DIMENSIONS
 TOLERANCES
 .XXXX= NOTED
 .XXX= NOTED
 .XX=
 .X=
 L=
 unless otherwise specified
 units inches

number SEE CHART phase PRODUCTION
 name T5D SERIES
 T CLAMPS
 material $\triangle 02$ NYLON 6/6

DRAWING
 FORMAT AV version L CAD ACAD scale 2X
 computer file number CL\SER\2010500_02 previous number
 drawn A.A.M. checked K.A.C. approved
 01/12/01 05/31/11
 type SERIES sheet 1 of 1
 number CL2010500SER