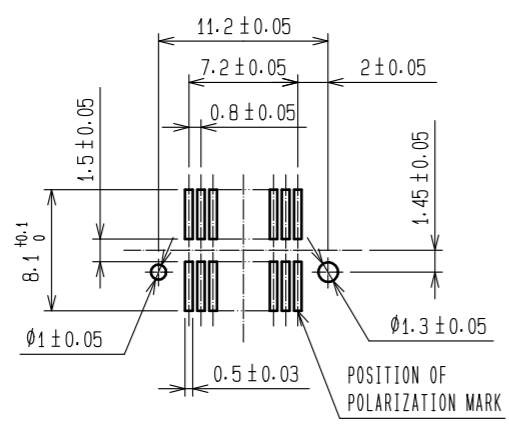


RECOMMENDED P.C.B LAND PATTERN (MOUNT SIDE)  
(RECOMMENDED METAL MASK THICKNESS: t=0.15)



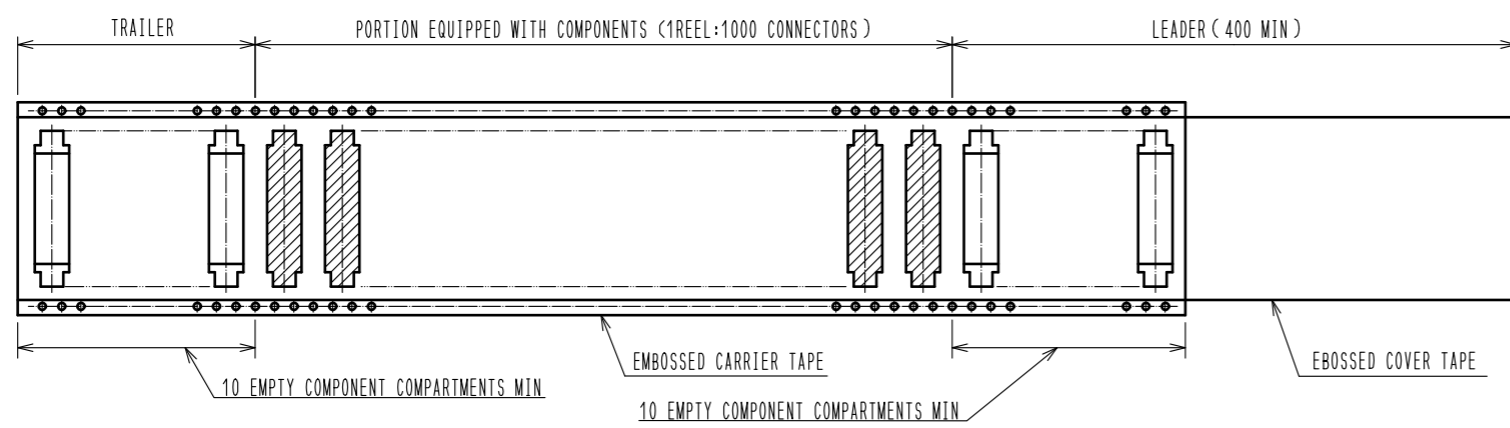
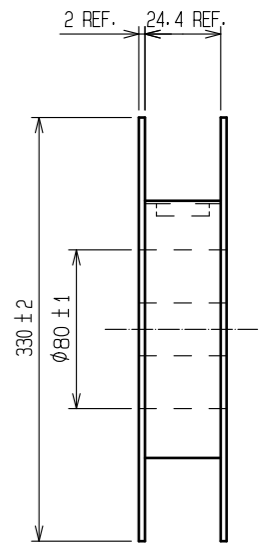
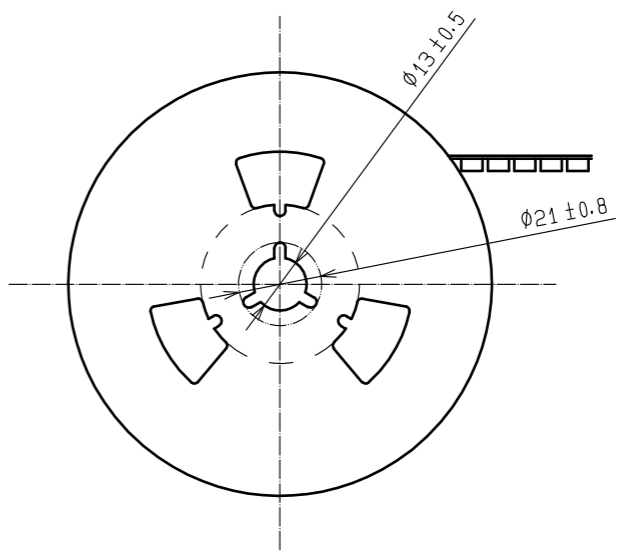
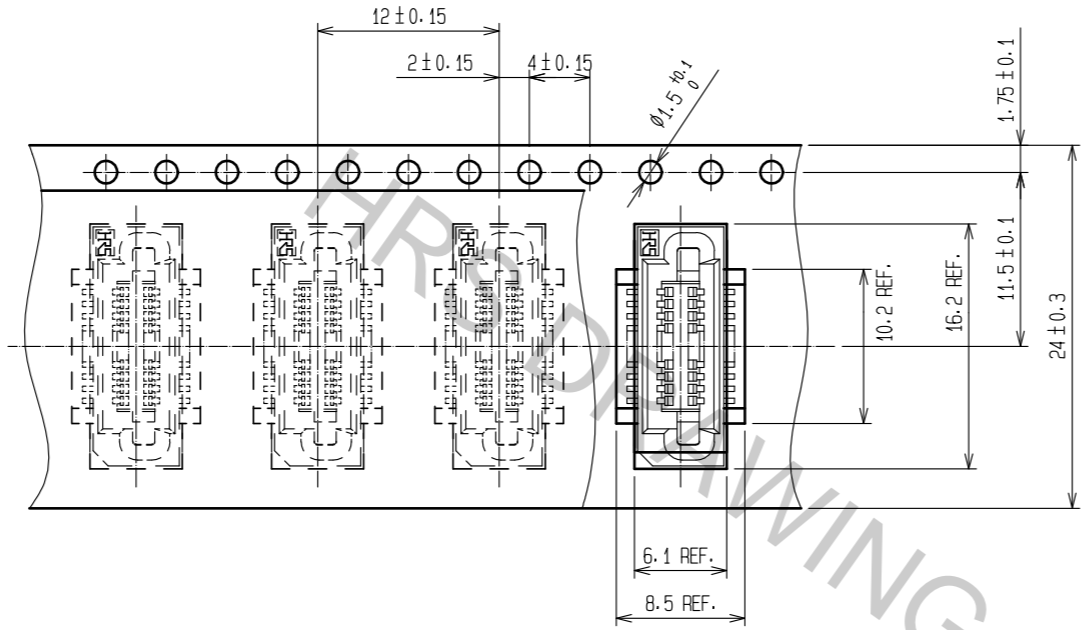
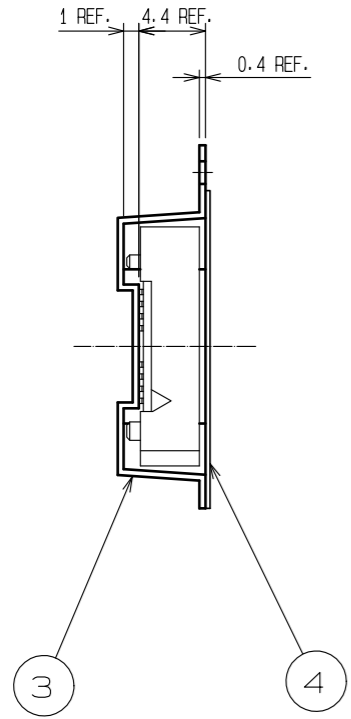
- NOTE
- ① HRS MARK SHALL BE OPTIONAL.
  - ② LEAD CO-PLANARITY SHALL BE 0.1 MAX.
  - ③ EMBOSSED CARRIER TAPE PACKAGING SHALL BE APPLIED FOR THIS PRODUCT.
  - ④ FOR MODIFICATION, ETC. PREVENTIVE HOLE FOR SINK MARK MAY BE ADDED ACCORDING TO CIRCUMSTANCES.

1	POLYPHENYLENE SULFIDE	LIGHT BROWN	UL94V-0	2	PHOSPHOR BRONZE	CONTACT AREA: GOLD 0.1 μm MIN LEAD AREA: TIN 1 μm MIN UNDER PLATING: NICKEL 2 μm MIN		
4	POLYESTER	COVER TAPE						
3	POLYSTYRENE	EMBOSSED CARRIER TAPE						
NO.	MATERIAL	FINISH . REMARKS		NO.	MATERIAL	FINISH . REMARKS		
UNITS mm		SCALE 2 : 1	COUNT 	DESCRIPTION OF REVISIONS		DESIGNED	CHECKED	DATE
<b>HRS</b> HIROSE ELECTRIC CO., LTD.		APPROVED : HS. OKAWA	15.07.17	DRAWING NO.		EDC-084977-92-01		
		CHECKED : HT. YAMAGUCHI	15.07.17	PART NO.		FX6-20S-0.8SV(92)		
		DESIGNED : MT. ITANO	15.07.17	CODE NO.		CL576-0101-8-92		
		DRAWN : KN. YAMAZAKI	15.07.16			1/2		

Apr.1.2017 Copyright 2017 HIROSE ELECTRIC CO., LTD. All Rights Reserved.

STYLE AND DIMENSIONS OF REEL (FREE)

UNREELING DIRECTION  
→



NOTE 5 1 REEL : 1000 CONNECTORS

<b>HRS</b>	DRAWING NO.	EDC-084977-92-01
	PART NO.	FX6-20S-0.8SV(92)
	CODE NO.	CL576-0101-8-92
		△ 2/2