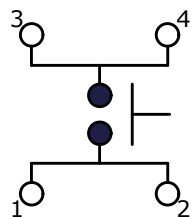


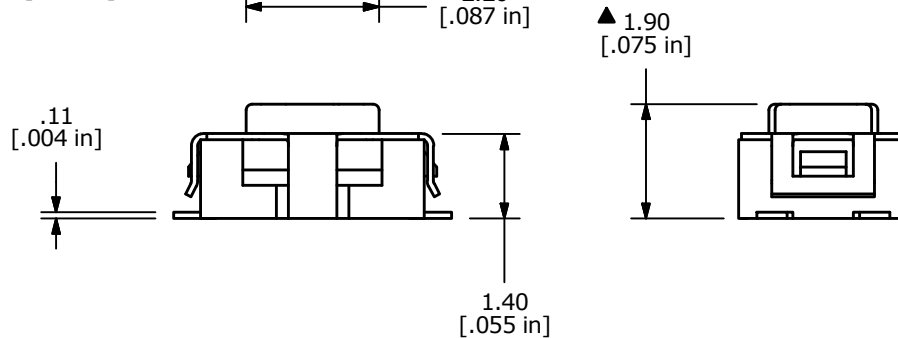
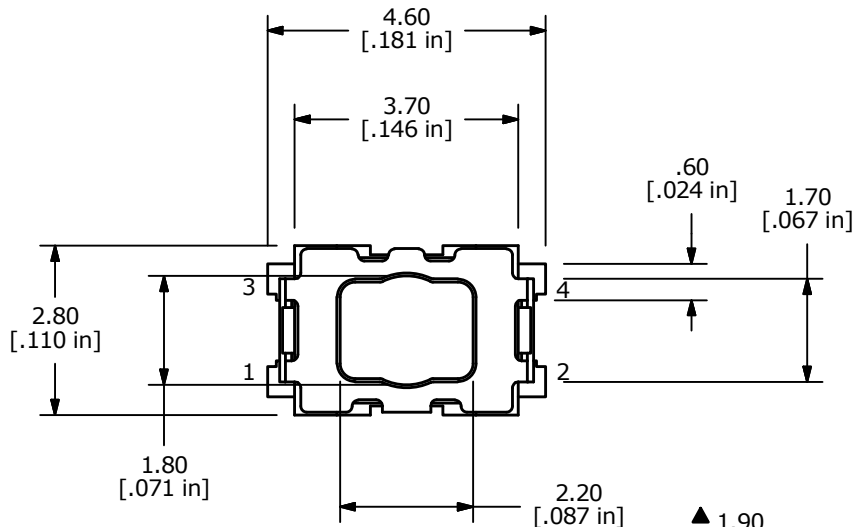
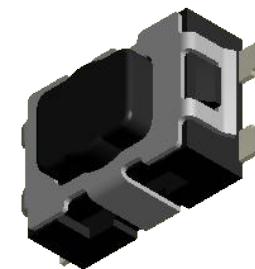
RECOMMENDED PCB LAYOUT



▲ CIRCUIT: SPST

NOTES:

1. ALL DIMENSIONS IN MM [INCH]
2. GENERAL TOLERANCE: X.X = ±0.4
X.XX = ±0.25
3. CONTACT RATING: 32VDC, 50mA
4. CONTACT RESISTANCE: 100 mΩ MAX.
5. INSULATION RESISTANCE: 1GΩ MIN @ 500VDC.
- ▲ 6. OPERATING FORCE: 200 ± 50gf
7. TRAVEL: 0.25 ± 0.1mm
8. OPERATING TEMPERATURE: -40°C to +85°C
9. STORAGE TEMPERATURE: -55°C to +85°C
10. OPERATING LIFE: 200,000 CYCLES
11. ▲ DENOTES CRITICAL PARAMETERS
12. 2011/65/EU (ROHS) COMPLIANT
13. PART IS IP67 RATED
14. PARTS TO BE PACKAGED IN TAPE & REEL, 7000 PIECES PER REEL



B	23204	UPDATED RATINGS	2/7/18	MJR
A	23011	New Release	10/26/17	rc
REV	PCR NO	DESCRIPTION	DATE	BY

TITLE TL6330AF200Q				
SCALE	DATE	DR	DWG	REV
8:1	10/4/2017	rc	P006330	B

THE INFORMATION CONTAINED IN THIS DOCUMENT IS PROPRIETARY TO E-SWITCH AND IS NOT TO BE COPIED OR TRANSFERRED