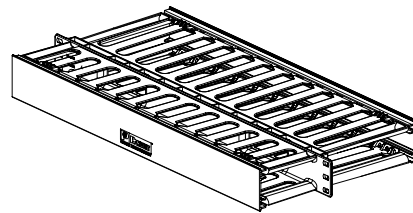
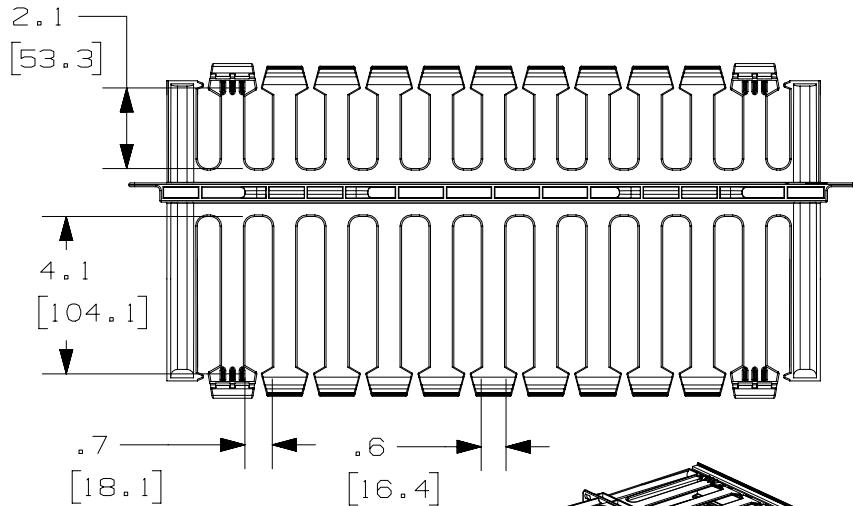
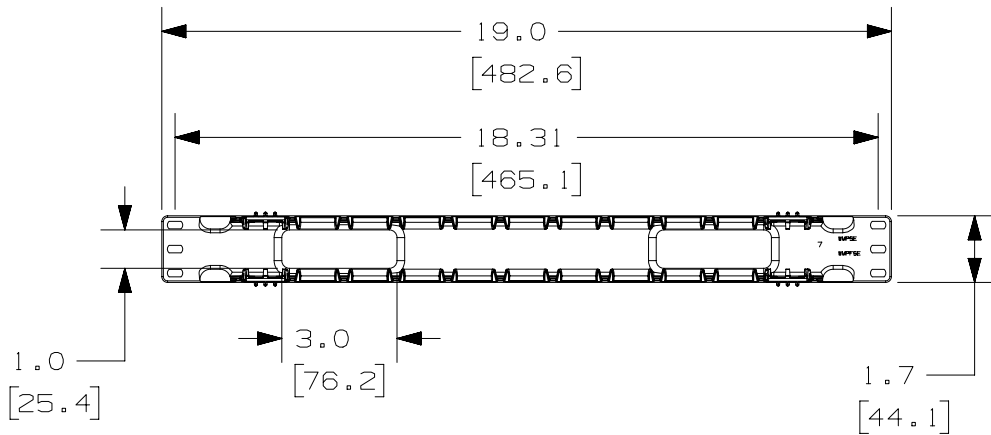


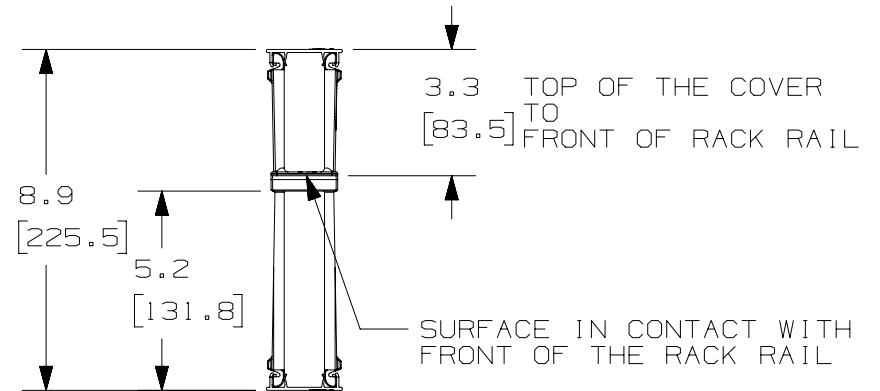
THIS COPY IS PROVIDED ON A RESTRICTED BASIS AND IS NOT TO BE USED IN ANY WAY DETRIMENTAL TO THE INTERESTS OF PANDUIT CORP.



PANDUIT P/N	WEIGHT
WMPSE	1.2 LBS/EACH 544 g/EACH
WMPSE-X (10 PARTS/CARTON)	12.0 LBS/EACH 5.4 Kg/EACH

NOTES:

- DESIGNED FOR MOUNTING ON 19" EIA RACKS.
- COMPONENTS:
1- MANAGER
2- 17" X 2.0" DUAL HINGED COVERS
4- #12-24 X 1/2" SCREWS
2- STRAIN RELIEF CLIPS
- DIMENSIONS IN PARENTHESES ARE METRIC.



TITLE		WMPSE HORIZONTAL MANAGER						
CUSTOMER DRAWING								
ITEM REVISION NAME	V10101WS/08	PANDUIT						
DATASET FILE NAME	V10101WS_DC/08A							
UNLESS OTHERWISE SPECIFIED, DIMENSIONAL TOLERANCES ARE: IN (mm)		MATERIAL: ABS						
THIRD ANGLE PROJECTION		DRAWING NUMBER: V10101WS-DC						
DRAWN BY	DATE	CHK	SCALE					
JDWE	12-17-02	MECA	NONE					
REV	DATE	BY	CHK	APR	DESCRIPTION	ECN	SHT 1 OF 1	SIZE
								A

08A	3-26-15	TWV	MACA	KRKE	REMOVED M6 SCREWS. REVISED NOTES.	V10101WS-DC
07D	4-8-13	BAME	FGR	CMK	REVISED AND REDRAWN; ALL PREVIOUS REVS OMITTED REVISED TITLE BLOCK	V10101WS-DC
R	12-17-02	JDWE	MECA	RTSU	RELEASED TO PRODUCTION	10101-27

D101000DA/15