

Customer Information Sheet

DRAWING No.: S70-1XXXXXX45R

SHEET 2 OF 2

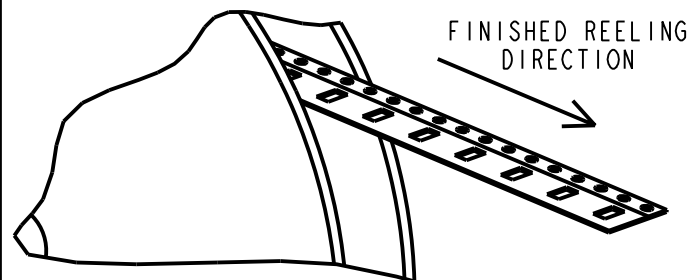
IF IN DOUBT - ASK

©

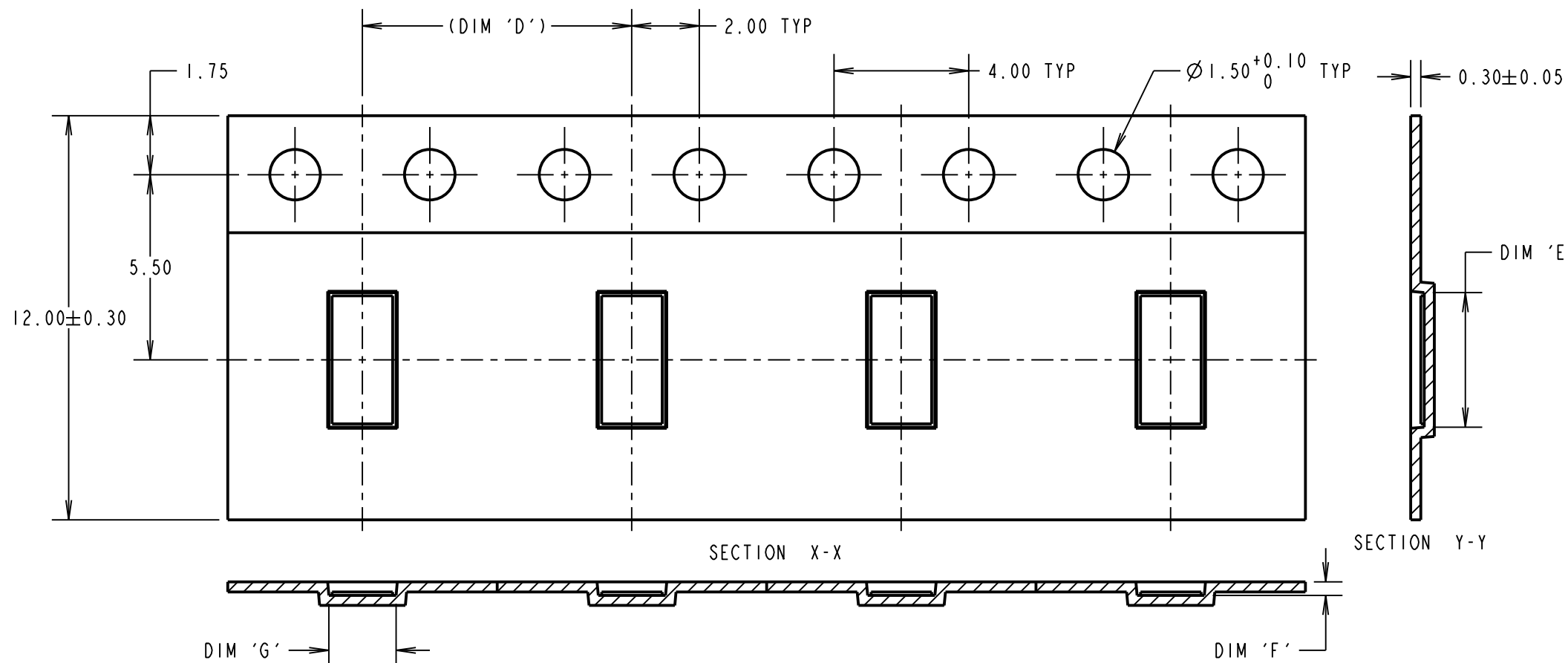
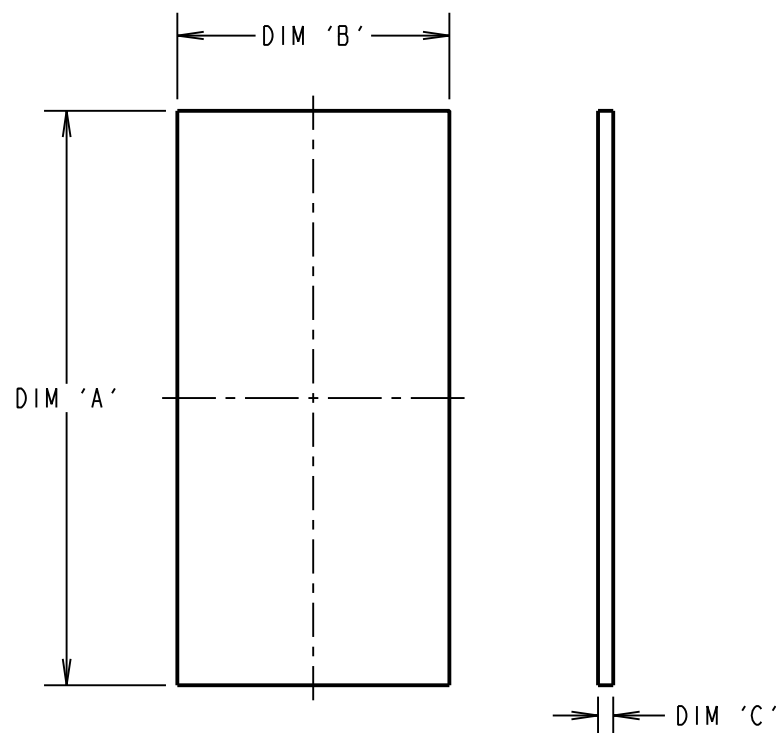
NOT TO SCALE

THIRD ANGLE PROJECTION

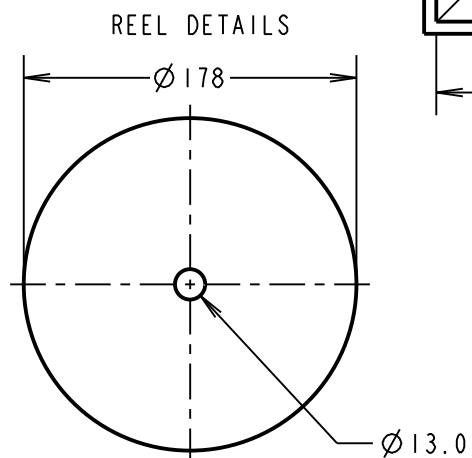
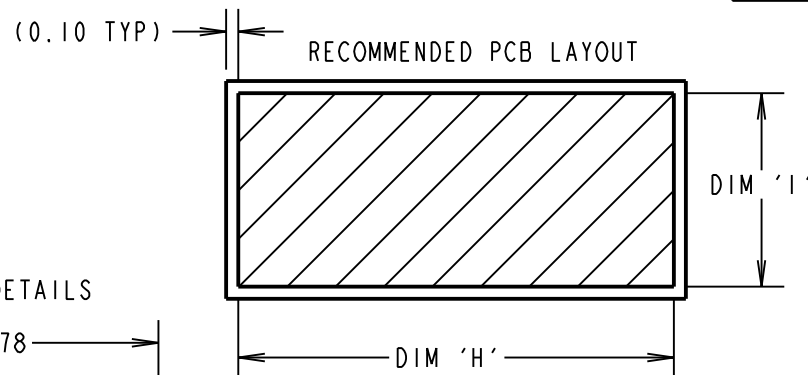
ALL DIMENSIONS IN mm



COMPONENT DETAILS



PART No.	DIM 'A'	DIM 'B'	DIM 'C'	DIM 'D'	DIM 'E'	DIM 'F'	DIM 'G'	DIM 'H'	DIM 'I'	PACK SIZE
S70-125161545R	2.50	1.60	0.15	4.00	2.70	0.50	1.80	2.30	1.40	4000
S70-138181045R	3.80	1.80	0.10	8.00	4.00	0.40	2.00	3.60	1.60	2000
S70-138305045R		3.00	0.50						4.10	



ORDER CODE:
S70-1XXXXXX45R

SIZE:
DIM 'A' = LENGTH
DIM 'B' = WIDTH
DIM 'C' = THICKNESS

SPECIFICATIONS:
FINISH:
0.025 μ - 0.075 μ GOLD OVER 1.5 μ - 3.0 μ NICKEL
ELECTRICAL:
CURRENT RATING = 0.5A
CONTACT RESISTANCE = 0.15m Ω MAX
ENVIRONMENTAL:
OPERATING TEMPERATURE = -40°C TO +85°C

NOTES:
1. PARTS TAPE AND REELED IN GENERAL ACCORDANCE WITH EIA-481.

MSP	3	30.09.16	20120
NAME	ISS.	DATE	C/NOTE
APPROVED:		M.PERREN	
CHECKED:		S.BENNETT	
DRAWN:		M.PERREN	
CUSTOMER REF.:			
ASSEMBLY DRG:			

HARWIN

www.harwin.com
technical@harwin.com

THIS DRAWING AND ANY INFORMATION OR DESCRIPTIVE MATTER SET OUT HEREON ARE CONFIDENTIAL AND COPYRIGHT PROPERTY OF THE HARWIN GROUP AND MUST NOT BE DISCLOSED, LOANED, COPIED OR USED FOR MANUFACTURING, TENDERING OR FOR ANY OTHER PURPOSE WITHOUT THEIR WRITTEN PERMISSION.

TOLERANCES
X. = ±1mm
X.X = ±0.25mm
X.XX = ±0.10mm
X.XXX = ±0.01mm
ANGLES = ±5°
UNLESS STATED

MATERIAL:
BERYLLIUM COPPER
FINISH: SEE ABOVE
S/AREA: mm²

TITLE:
SMT POGO PIN CONTACT PAD
DRAWING NUMBER:
S70-1XXXXXX45R

SHT 2 OF 2