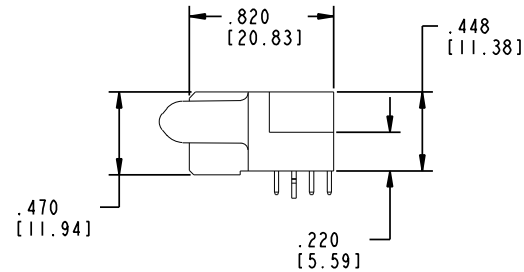
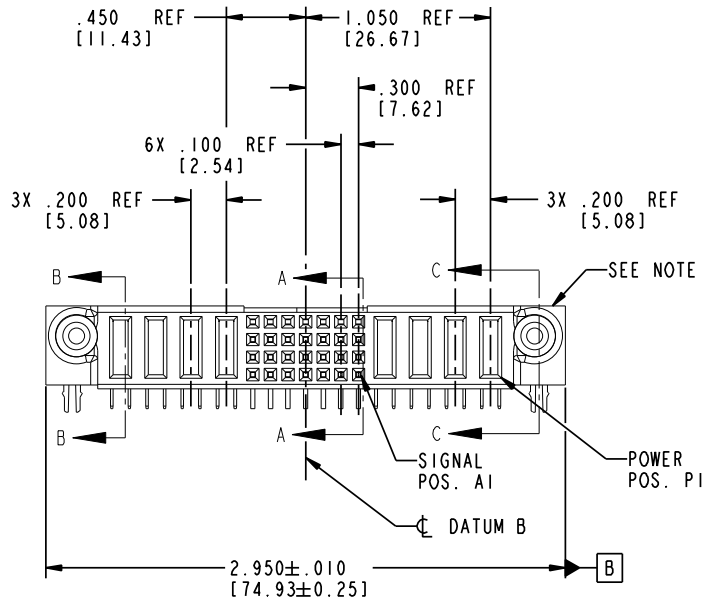
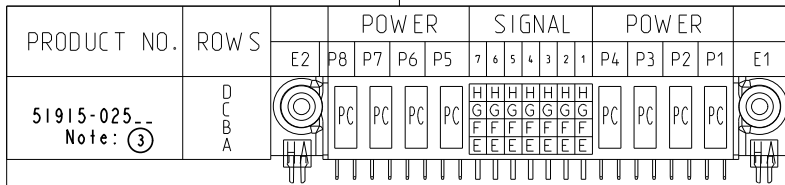


Tous droits strictement réservés. Reproduction ou communication o des tiers interdite sous quelque forme que ce soit sans autorisation écrite du propriétaire. Propriete de c FCI. Droits de reproduction FCI.

All rights strictly reserved. Reproduction or issue to third parties in any form whatever is not permitted without written authority from the proprietor. Property of FCI. Copyright FCI.



CODE	DIM "M" MATING LENGTH	CONTACT TYPE
E	N/A [N/A]	SIGNAL
F	N/A [N/A]	SIGNAL
G	N/A [N/A]	SIGNAL
H	N/A [N/A]	SIGNAL
HA	N/A [N/A]	HOLD-DOWN
PC	.092 [2.34]	POWER

mat'l code SEE NOTE 2				tolerances unless otherwise specified		CUSTOMER		 www.fciconnect.com	
ltr	ecn no.	dr	date	linear	projection	COPY		title	
A	V03-0471	TAB	04/28/03	.XX±.01/0.X±0.3				4P + 28S + 4P	
B	DG05-0123	SJ	05/23/05	.XXX±.005/0.XX±0.13				R/A SOLDER RECEPTACLE	
				angles	INCH/MM	product family		code	
				dr	scale	PwrBlade		213	
				enr	1:1	size		sheet	
				chr		51915-025		1 of 4	
				appd		dwg no			
						A			
sheet index	revision	B	B	B	B	cage code		4	
	sheet	1	2	3	4	22526			

Pro/E

PDM: Rev:B

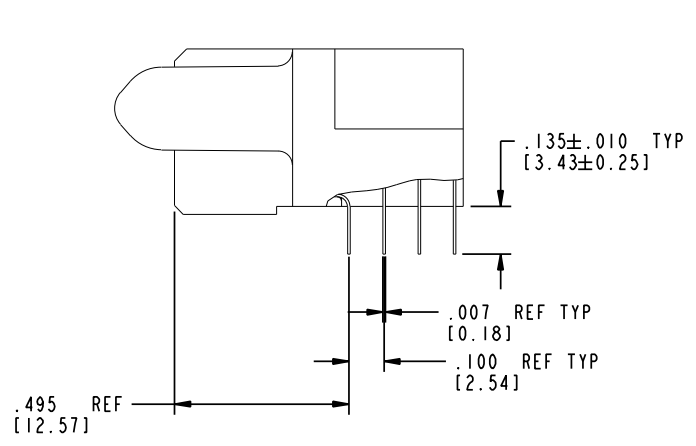
STATUS: Released

Printed: Dec 20, 2010

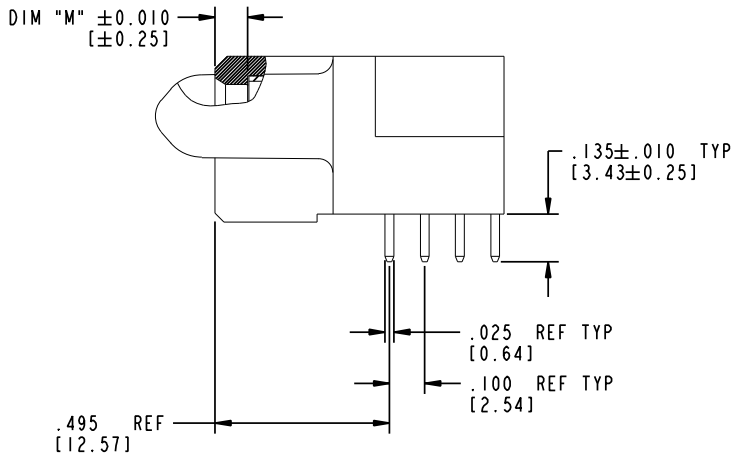
Tous droits strictement réservés. Reproduction ou communication o des tiers interdite sous quelque forme que ce soit sans autorisation écrite du propriétaire. Propriété de c FCI. Droits de reproduction FCI.

All rights strictly reserved. Reproduction or issue to third parties in any form whatever is not permitted without written authority from the proprietor. Property of FCI. Copyright FCI.

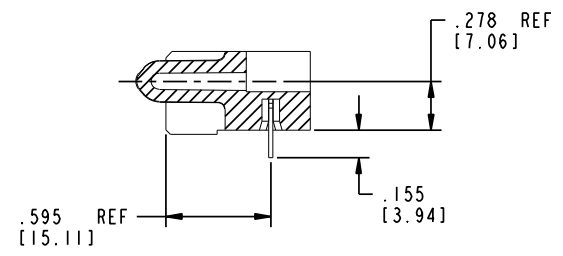
PRODUCT NUMBER
51915-025--
 Note: ③



BROKEN-OUT SECTION A-A
 SCALE 2:1



BROKEN-OUT SECTION B-B
 SCALE 2:1



SECTION C-C

mat'l code		SEE NOTE 2		tolerances unless otherwise specified		CUSTOMER		 www.fciconnect.com		
ltr	ecn no.	dr	date	linear	.XX±.01/0.X±0.3	COPY		projection	title	
B				angles	.XXX±.005/0.XX±0.13				4P + 28S + 4P R/A SOLDER RECEPTACLE	
				dr	.XXX±.0020/0.XX±0.051					product family
				enr	0 ± 2°	INCH/MM		size	PwrBlade	213
				chr		scale		1:1	51915-025	sheet
				appd				A	2 of 4	
sheet index	revision sheet									

cage code **22526**

Pro/E

PDM: Rev:B

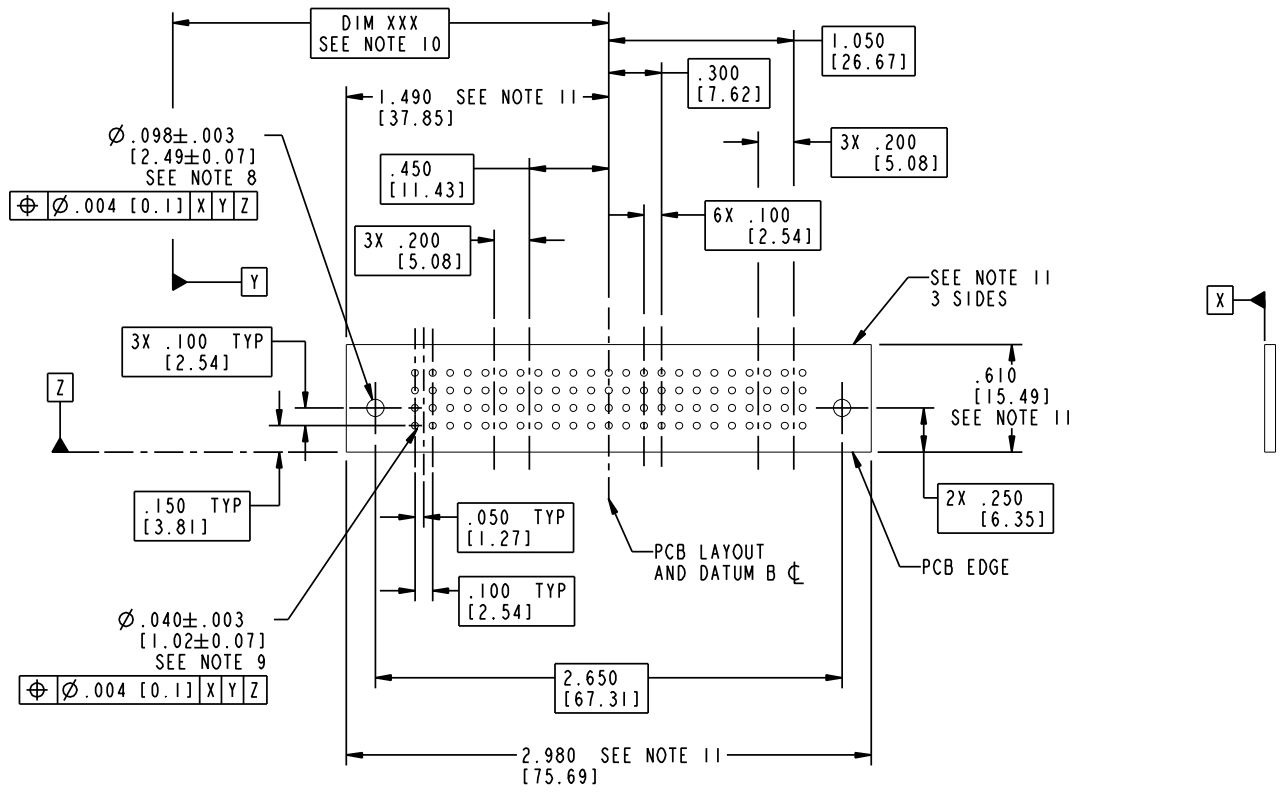
STATUS: Released

Printed: Dec 20, 2010

Tous droits strictement réservés. Reproduction ou communication o des tiers interdite sous quelque forme que ce soit sans autorisation écrite du propriétaire. Propriété de c FCI. Droits de reproduction FCI.

All rights strictly reserved. Reproduction or issue to third parties in any form whatever is not permitted without written authority from the proprietor. Property of FCI. Copyright FCI.

PRODUCT NUMBER
51915-025--
 Note: ③



mat'l code		SEE NOTE 2		tolerances unless otherwise specified		CUSTOMER		 www.fciconnect.com	
ltr	ecn no.	dr	date	linear	.XX±.01/0.X±0.3	COPY		title	
B				angles	.XXX±.005/0.XX±0.13	projection		4P + 28S + 4P	
				dr	.XXX±.002/0.XX±0.051			R/A SOLDER RECEPTACLE	
				enr	0±2°	INCH/MM		product family	
				chr	T. BRUNGARD 04/28/03	scale		PwrBlade	
				appd	M. MOSTOLLER 04/28/03	1:1		code	
sheet index		revision sheet						size	
								dwg no	
								51915-025	
								sheet	
								3 of 4	

Pro/E

cage code **22526**

PDM: Rev:B

STATUS: Released

Printed: Dec 20, 2010

Tous droits strictement réservés. Reproduction ou communication à des tiers interdite sous quelque forme que ce soit sans autorisation écrite du propriétaire. Propriété de c FCI. Droits de reproduction FCI.

A
FCI

All rights strictly reserved. Reproduction or issue to third parties in any form whatever is not permitted without written authority from the proprietor. Property of FCI. Copyright FCI.

PRODUCT NUMBER
51915-025
Note: ③

NOTES:

1. DIMENSIONS AND TOLERANCES ARE IN ACCORDANCE WITH ASME Y14.5M, 1994 UNLESS OTHERWISE SPECIFIED.

CONNECTOR NOTES:

② HOUSING MATERIAL: UL 94 V-0 GLASS FILLED
HIGH-TEMP THERMOPLASTIC
POWER CONTACT MATERIAL: COPPER ALLOY
SIGNAL PIN MATERIAL: COPPER ALLOY

3. PLATING:
51915-025 Singal Pin:30u"/0.76um Au OVER 50u"/1.27um Ni ON THE CONTACT AREA,
AND 100u"/2.54um SnPb PLATING OVER 50u"/1.27um Ni ON THE TERMINATION SECTION.
Power Pin:30u"/0.76um Au OVER 50u"/1.27um Ni ON THE CONTACT AREA,
AND 100u"/2.54um SnPb PLATING OVER 50u"/1.27um Ni ON THE TERMINATION SECTION.

51915-025LF Singal Pin:30u"/0.76um Au OVER 50u"/1.27um Ni ON THE CONTACT AREA,
AND 78u"/2.00um Sn PLATING OVER 50u"/1.27um Ni ON THE TERMINATION SECTION.
Power Pin:30u"/0.76um Au OVER 50u"/1.27um Ni ON THE CONTACT AREA,
AND 78u"/2.00um Sn PLATING OVER 50u"/1.27um Ni ON THE TERMINATION SECTION.

PART NUMBER 51915-025LF MEETS EUROPEAN UNION DIRECTIVE AND OTHER COUNTRY REGULATIONS AS DESCRIBED IN GS-22-008.

THE HOUSING WILL WITHSTAND EXPOSURE TO 260° PEAK TEMPERATURE FOR 10 SECONDS IN A WAVE SOLDER APPLICATION WITH A CIRCUIT BOARD.

④ MANUFACTURER'S NAME, P/N, AND DATE CODE TO APPEAR ON THIS SURFACE.

5. PRODUCT SPECIFICATION GS-12-149.
APPLICATION SPECIFICATION BUS-20-067.

6. PACKAGED IN TRAYS.

PCB NOTES:


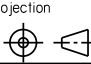

7. ALL HOLE DIAMETERS ARE FINISHED HOLE SIZE.

⑧ MOUNTING HOLES, WHERE APPLICABLE, ARE UNPLATED.

⑨ $\varnothing .0453 \pm .0010$ [1.151 ± 0.025] DRILLED HOLES PLATED WITH
.0003 [0.008] MIN SnPb OVER .001 [0.03]
TO .003 [0.08] Cu PLATING TO ACHIEVE
 $\varnothing .040 \pm .003$ [1.02 ± .07] HOLE.

⑩ "DIM XXX" TO BE DETERMINED BY THE CUSTOMER.

⑪ CONNECTOR KEEP-OUT ZONE.

mat'l code				SEE NOTE 2		tolerances unless otherwise specified		CUSTOMER		 www.fciconnect.com	
ltr	ecn no.	dr	date	linear	.XX±.01/0.X±0.3	COPY		projection		title	
B				linear	.XXX±.005/0.XX±0.13					4P + 28S + 4P R/A SOLDER RECEPTACLE	
				angles	.XXX±.002/0.XX±0.051					product family	
				dr	0 ± .2°			INCH/MM		PwrBlade	
				enr	T. BRUNGARD 04/28/03			scale		code	
				chr	M. MOSTOLLER 04/28/03			1:1		213	
				appd	M. MOSTOLLER 04/28/03			A		sheet	
sheet index		revision sheet								4 of 4	

cage code **22526**

Pro/E

PDM: Rev:B

STATUS: Released

Printed: Dec 20, 2010