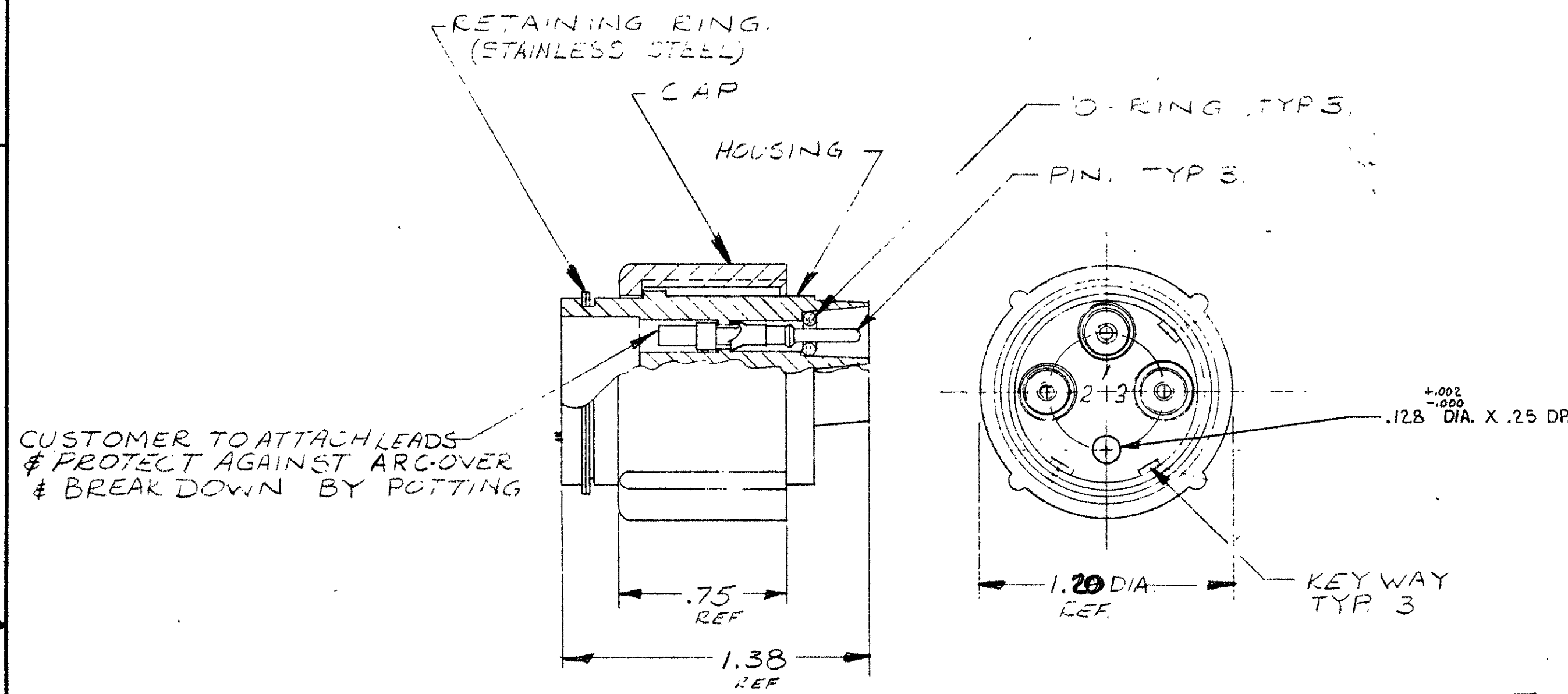


© 1976 BY AMP INCORPORATED. ALL RIGHTS RESERVED. AMP PRODUCTS COVERED BY PATENTS AND/OR PATENTS PENDING.

THIS PRODUCT DESIGNED AND BUILT BY AMP INCORPORATED. NO LICENSE TO USE THAT DESIGN IN MANUFACTURE, OR TO USE ANY ISSUED OR PENDING PATENTS WHICH ARE INVOLVED, IS IMPLIED.

REVISIONS				
ZONE	LTR	DESCRIPTION	DATE	APPROVED
	A	ADDED - 4	DS 8-23-77	M.H.
	B	OBSOLETE - 3 ECN DFO692 Z60	10-88	T.W.
	C	OBS-2ECN DFO376	ZP 2-89	T.W.
	D	REV PER OH14-120-03	CT 10-09	CT

Unpublished copy not to be reproduced or published without written permission of AMP Incorporated.



- NOTE:
- MARK PER AMP SPEC. 118-36000 (WHITE) #7254
 - PLUG WILL WITHSTAND WITHOUT BREAKDOWN 27 KVDC PIN TO PIN & 27 KVDC PIN TO GRD. WHEN MATED WITH RCPT. # 863054
 - PLUG & PINS, SHIPPED SEPARATELY.
 - TYPE II PINS TO ACCEPT ONE 20 AWG. (1) 22 AWG, OR (2) 24 AWG STRANDED WIRE
 - TYPE II PINS TO ACCEPT ONE 16 AWG. OR (1) 18 AWG STRANDED WIRE
 - TO REMOVE PINS USE EXTRACTION TOOL # 861751-1
 - TYPE II PINS TO ACCEPT ONE (1) 14 AWG STRANDED WIRE.
 - SUPPLIED WITH NO PINS.
 - OBS PART NO.

AMP P/N	WIRE SIZE RANGE	HAND TOOL
863055-1	20, 22, 24	45099
863055-2	16, 18	45098
863055-3	14	45098
863055-4	~	~

QTY REQD	QTY REQD	ITEM NO.	DWG SIZE	PART OR IDENTIFYING NO.	NOMENCLATURE OR DESCRIPTION	SYMBOL
-2	-1				PARTS LIST	
UNLESS OTHERWISE SPECIFIED: DIMENSIONS ARE IN INCHES TOLERANCES .00 ± ANGLES = .000 ±				CONTRACT NO. DR DICK STONE 3-16-76		AMP INCORPORATED CAPITRON DIVISION ELIZABETHTOWN, PENNSYLVANIA
MATERIAL: MOLDED PLASTIC				CHK		
FINISH: BLACK				APPD <i>[Signature]</i> 3-22-76		NAME PLUG ASS'Y 3 PIN. EGH.
NEXT ASSY		FINAL ASSY	NEXT ASSY	USED ON	SIZE C	CODE IDENT NO. 00779
QTY REQD		APPLICATION		DSGN APPD		NUMBER 863055
				OTHER APPD		REV D
				SCALE NONE		WT
				SHEET		///