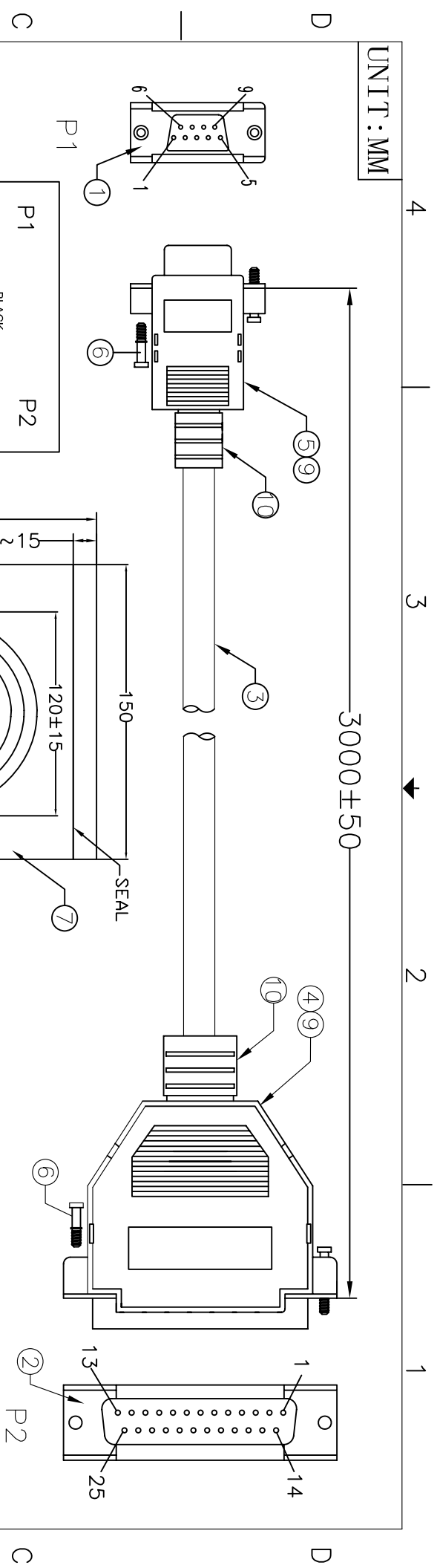
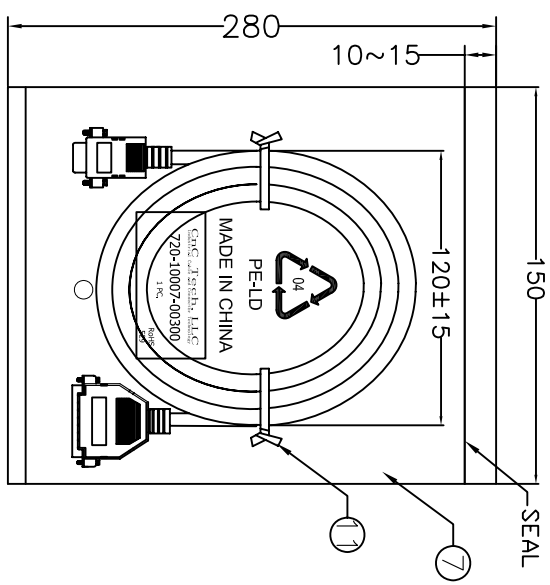


UNIT:MM



P1	P2	
1	BLACK	8
2	GREY	2
3	YELLOW	3
4	PURPLE	6
5	ORANGE	7
6	RED	20
7	BROWN	5
8	BROWN	5
9	GREEN	4
	BLUE	4
	DRAIN	22
	SHELL	SHELL



- Electronic Test:
- 1.100% Test,(Open,Short,Miss Wire)
 - 2.Contact Resistance:5 ohm max.
 - 3.Insulation Resistance:5M ohm min.
 - 4.Hi-Pot:300V DC.

①	TIE	2	WHITE L=100mm
⑩	S/R	5.5g	BEIGE(IV-29#) 45P PVC (MOULD NO.SR-50/SR-51)
⑨	TUBE	50mm	HEAT SHRINK TUBE BLACK OD1.5mm,L1=20mm,L2=30mm
⑧	PE BAG	1/10	CLEAR SIZE: 360*380*0.05mm PRINT BLACK"MADE IN CHINA"+"10PCS"及生产周期,有透气孔.
⑦	PE BAG	1	CLEAR SIZE: 150*280*0.05mm PRINT BLACK"MADE IN CHINA"+"1PC"及生产周期,有透气孔.
⑥	SCREW	4	SCREW #4-40UNC L=12.5mm,NICKEL PLATED
⑤	DKN	1	DB9P DKN W/O NUT BEIGE
④	DKN	1	DB25P DKN W/O NUT BEIGE
③	CABLE	1	NOUL 30AWG*9C+AD OD5.0mm COLOR BEIGE(IV-29) L=3000±15mm
②	CONN	1	DB25P FEMALE SOLDER TYPE PIN G/F,BLUE INSULATION
①	CONN	1	DB 9P FEMALE SOLDER TYPE G/F, BLUE INSULATION
NO.	NAME	QTY	

CNC Tech, LLC
Industrial Cable and Connector Technology

DRAWN BY	ZHONGHS	DRAWING NO.	
CHECKED BY		CUSTOMER	CNC
APPROVAL BY		ITEM NO.	720-10007-00300
DECIDE BY		DATE	2012-02-06
VERSIONS/EDITION	A/0	PROJECT	

4 3 2 1 4 3 2 1