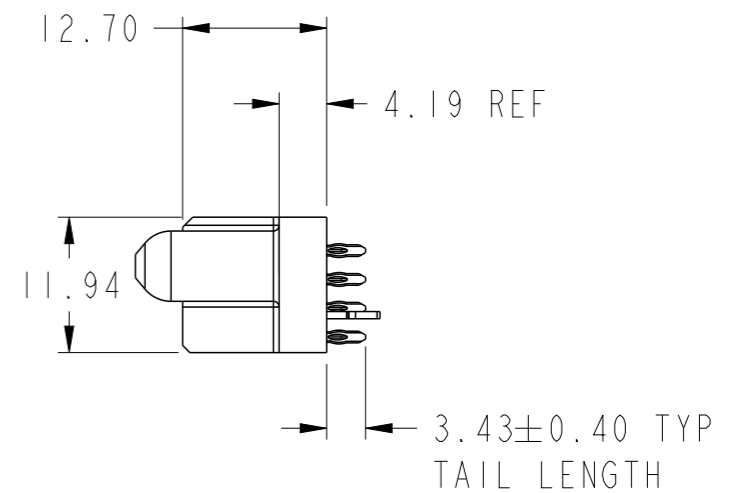
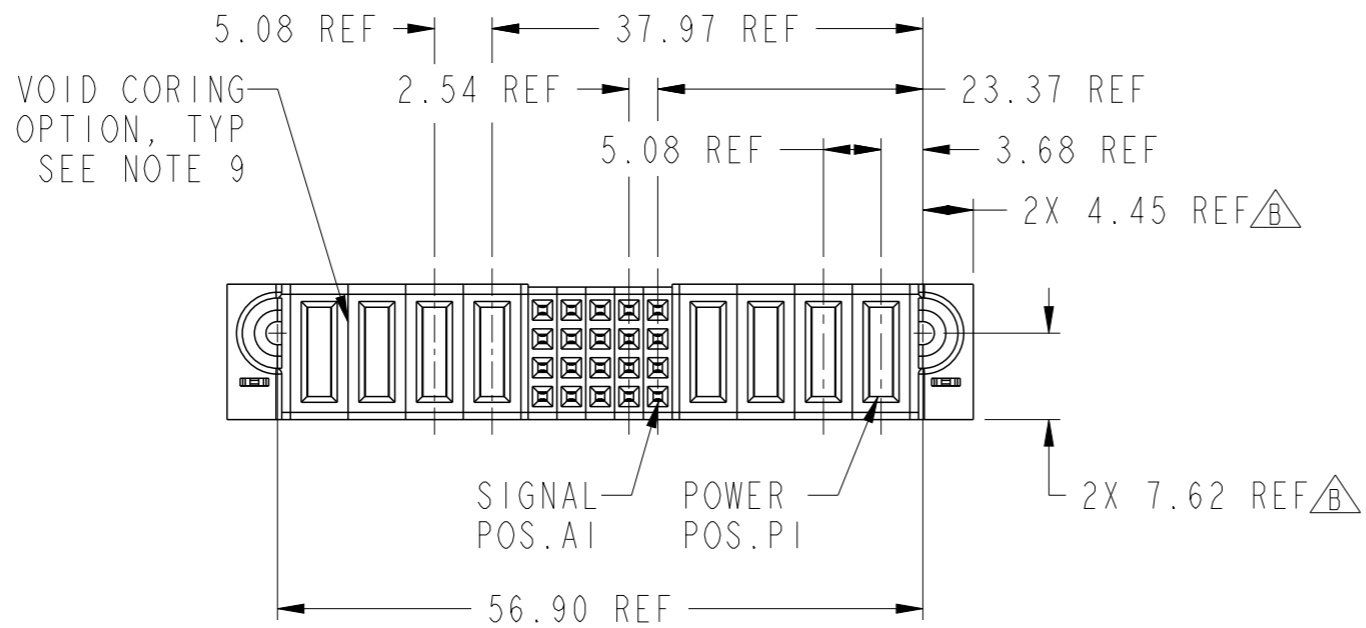
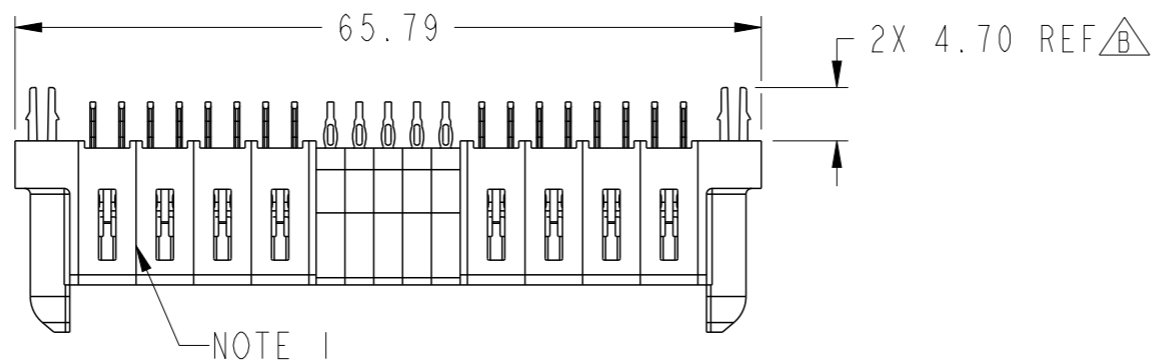
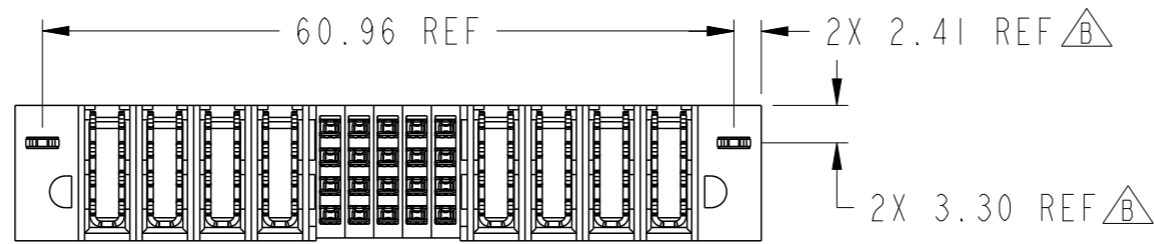


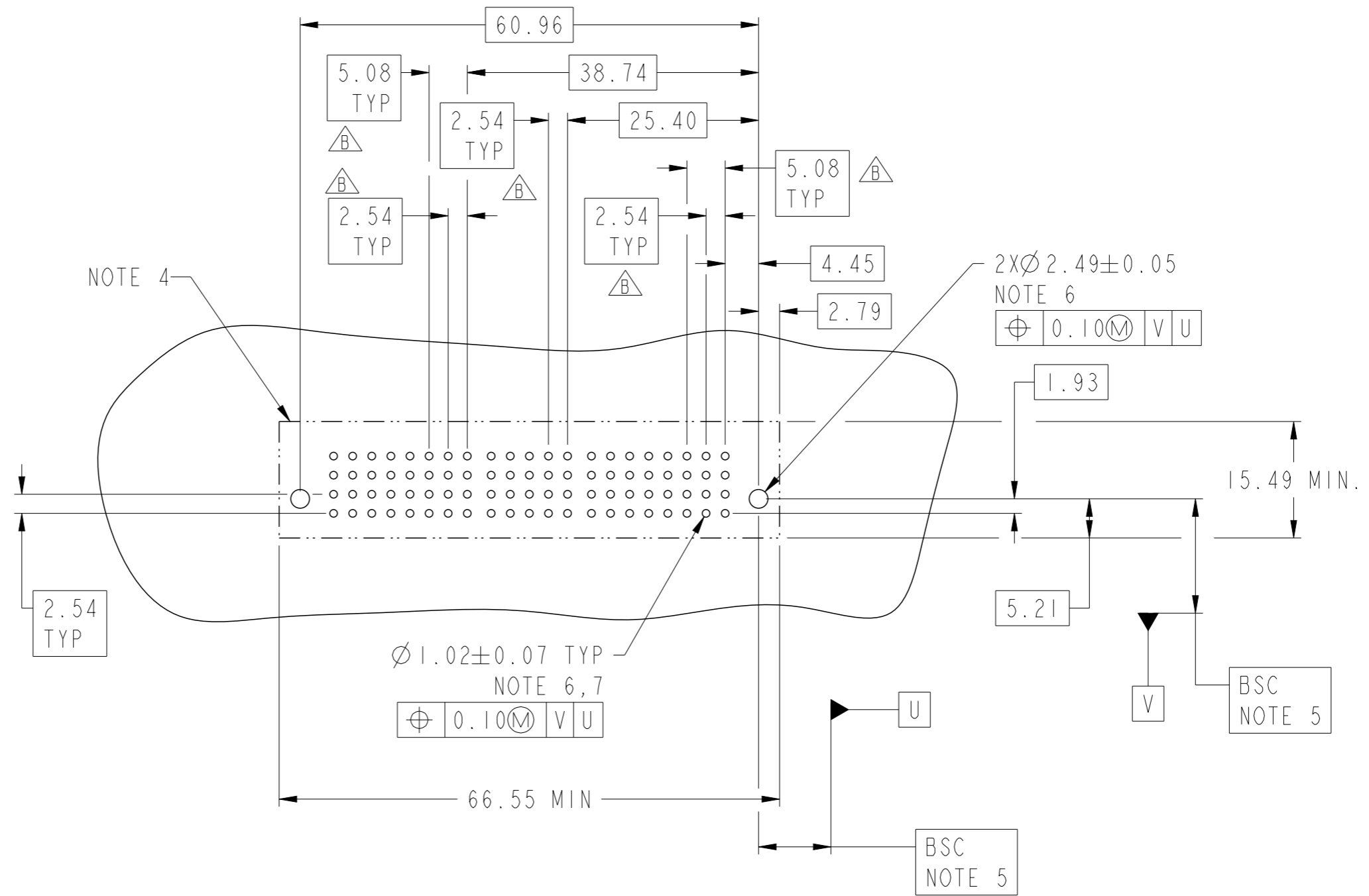
PART NUMBER 10106139-8005001LF



spec ref	-	dr	Zhang Hong-Tu	2011/09/12	projection	mm	size	A3	scale	3:2	
tolerance std	ISO 406 ISO 1101	eng	Peng-Bing Fu	2012/11/13			ecn no	ELX-DG-013146-1			
TOLERANCES UNLESS OTHERWISE SPECIFIED		chr	Tian-Xu Huang	2012/11/13				product family	PwrBlade+	rel level	Released
surface	ISO 1302	appr	Pei-Ming Zheng	2012/11/13			dwg no	10106139-8005001		rev	B
	linear	0.X ±0.50		www.fci.com		cat. no.	-		Product - Customer Drw		sheet 1 of 3
		0.XX ±0.25		4HDP + 20S + 4HDP							
		0.XXX ±0.10		VERTICAL PF RECEPTACLE							
	angular	0° ±2°									

PRODUCT NUMBER	ROWS	HIGH POWER				SIGNAL				HIGH POWER			
		P8	P7	P6	P5	5	4	3	2	1	P4	P3	P2
10106139-8005001LF	D C B A	HHHH				SSSS SSSS SSSS SSSS				HHHH			

CODE	DESCRIPTION
H	STD HIGH POWER CONTACT
S	STD SIGNAL CONTACT
HA	METAL HOLD DOWN



Copyright FCI.

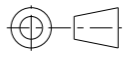

dr	Zhang Hong-Tu	2011/09/12	projection	mm	size	A3	scale	3:2
eng	Peng-Bing Fu	2012/11/13		← →	ecn no	ELX-DG-013146-1	rel level	Released
chr	Tian-Xu Huang	2012/11/13						
appr	Pei-Ming Zheng	2012/11/13	product family	PwrBlade+				
			title			4HDP + 20S + 4HDP		
www.fci.com			cat. no.			-		
			Product - Customer Drw			sheet 2 of 3		
			dwg no			10106139-8005001		
			rev			B		

NOTES:

- 1) "FCI", PART NUMBER AND DATE CODE TO BE MARKED ON THIS SURFACE.  
THE P/N CAN BE OMITTED IF THERE IS NOT ENOUGH SPACE ON THIS SURFACE.
- 2) MATERIALS:  
-HOUSING - GLASS FILLED WITH HIGH TEMP THERMOPLASTIC, UL94V-0.  
-SIGNAL CONTACT - COPPER ALLOY.  
-POWER CONTACT - HIGH CONDUCTIVITY COPPER ALLOY.
- 3) PLATING SPECIFICATION REFER TO FCI 10116351.
- 4) DENOTES CONNECTOR KEEP OUT ZONE.
- 5) DATUM AND BASIC DIMENSIONS WERE ESTABLISHED BY CUSTOMER.
- 6) ALL HOLE DIAMETERS ARE FINISHED HOLE SIZES.
- 7)  $1.15 \pm 0.025$ MM DRILLED HOLE PLATED WITH 0.00762MM MIN Sn  
OVER 0.0254-0.0762MM Cu PLATING TO ACHIEVE A  $1.02 \pm 0.07$ MM HOLE.
- 8) PRODUCT SPECIFICATION REFER TO FCI GS-12-658.  
APPLICATION SPECIFICATION REFER TO FCI GS-20-141.  
PRODUCT PACKAGED IN TRAYS, REFER TO FCI GS-14-1502.
- 9) THE VOID CORING IN BETWEEN POWER MODULES, SIGNAL  
MODULES AND END MODULES ARE OPTIONAL AND THE SHAPE  
MAY BE DIFFERENT FOR OPTIMIZE THE MOLDING PROCESS. THE  
VOID CORING WILL NOT EFFECT TO PRODUCT FUNCTION.
- 10) A  $\triangle$  B SYMBOL WILL BE NEXT TO ANY DIMENSION, VIEW, OR NOTE WHICH  
HAS BEEN MODIFIED WITH THE CURRENT DRAWING REVISION.



Copyright FCI.

dr	Zhang Hong-Tu	2011/09/12		mm	size	A3	scale	3:2	
eng	Peng-Bing Fu	2012/11/13			ecn no	ELX-DG-013146-1			
chr	Tian-Xu Huang	2012/11/13			product family	PwrBlade+	rel level	Released	
appr	Pei-Ming Zheng	2012/11/13							
		title 4HDP + 20S + 4HDP VERTICAL PF RECEPTACLE			dwg no 10106139-8005001	rev B			
www.fci.com		cat. no.	-		Product - Customer Drw			sheet 3 of 3	