

PRELIMINARY SPEC



ATTENTION
OBSERVE PRECAUTIONS
FOR HANDLING
ELECTROSTATIC
DISCHARGE
SENSITIVE
DEVICES

Part Number: AAAF5060QBDZGSEEC

Blue
Green
Hyper Red

Features

- Chips can be controlled separately.
- Suitable for all SMT assembly and solder process.
- Available on tape and reel.
- Package: 500pcs / reel.
- Moisture sensitivity level : level 4.
- RoHS compliant.

Description

The Blue source color devices are made with AlGaInN on Sapphire Light Emitting Diode.

The Green source color devices are made with InGaN on Sapphire Light Emitting Diode.

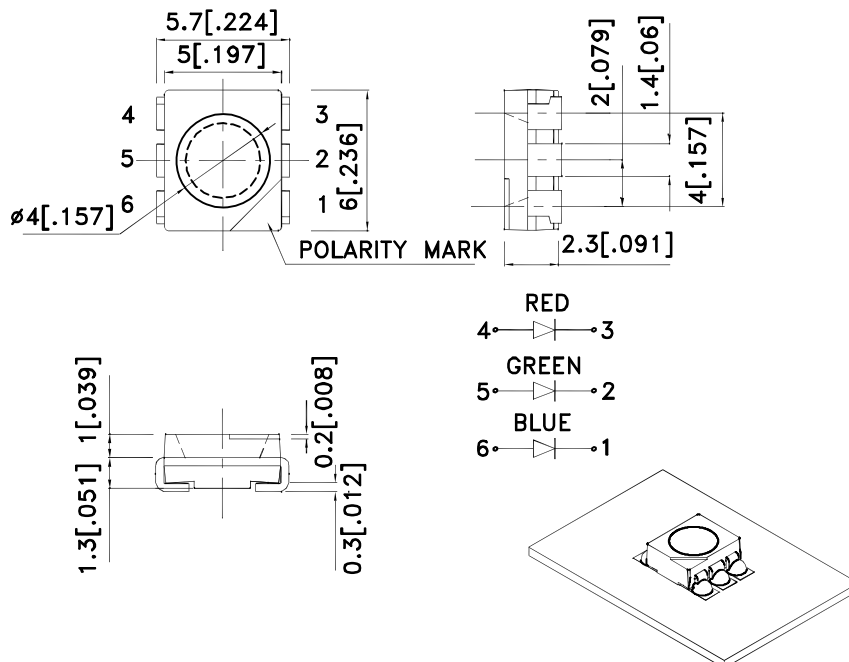
The Hyper Red source color devices are made with Al-GaN on GaAs substrate Light Emitting Diode.

Static electricity and surge damage the LEDs.

It is recommended to use a wrist band or anti-electrostatic glove when handling the LEDs.

All devices, equipment and machinery must be electrically grounded.

Package Dimensions



Notes:

1. All dimensions are in millimeters (inches).
2. Tolerance is $\pm 0.25(0.01)$ unless otherwise noted.
3. Specifications are subject to change without notice.
4. The device has a single mounting surface. The device must be mounted according to the specifications.



Selection Guide

Part No.	Dice	Lens Type	Iv (mcd) [2] @ 30mA *50mA		Viewing Angle [1]
			Min.	Typ.	2θ1/2
AAAF5060QBDZGSEEC	Blue (AlGaInN)	WATER CLEAR	110	250	100°
	Green (InGaN)		280	650	
	Hyper Red (AlGaInP)		*650	*1000	

Notes:

1. θ1/2 is the angle from optical centerline where the luminous intensity is 1/2 the optical centerline value.
2. *Luminous intensity with asterisk is measured at 50mA; Luminous intensity/ luminous Flux: +/-15%.

Electrical / Optical Characteristics at TA=25°C

Symbol	Parameter	Device	Typ.	Max.	Units	Test Conditions
λpeak	Peak Wavelength	Blue Green Hyper Red	468 515 630		nm	IF=20mA
λD [1]	Dominant Wavelength	Blue Green Hyper Red	470 525 621		nm	IF=20mA
Δλ1/2	Spectral Line Half-width	Blue Green Hyper Red	25 30 20		nm	IF=20mA
C	Capacitance	Blue Green Hyper Red	100 45 25		pF	Vf=0V;f=1MHz
Vf [2]	Forward Voltage	Blue Green Hyper Red	3.3 3.3 2	4 4.1 2.5	V	IF=20mA
IR	Reverse Current	Blue Green Hyper Red		10 10 10	uA	VR=5V

Notes:

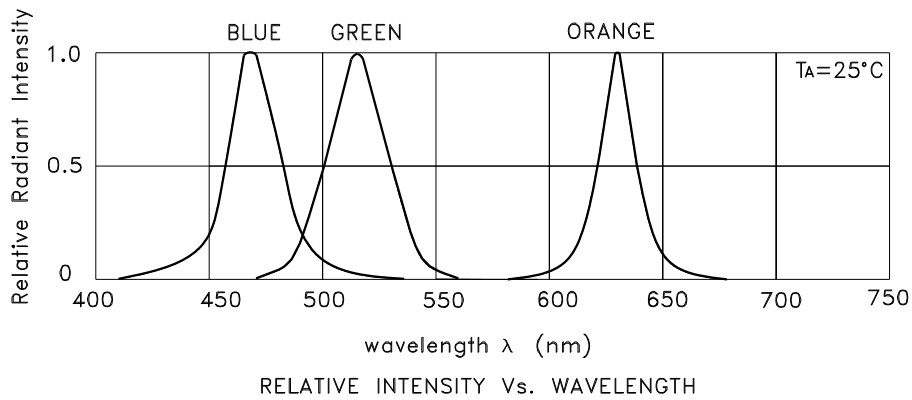
1. Wavelength: +/-1nm.
2. Forward Voltage: +/-0.1V.

Absolute Maximum Ratings at TA=25°C

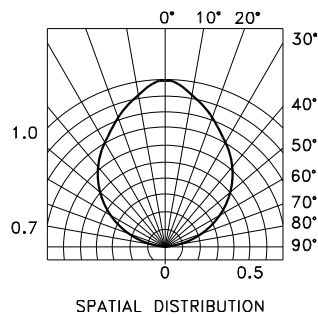
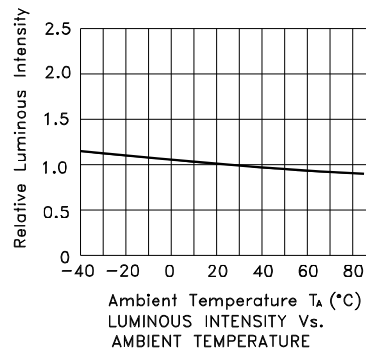
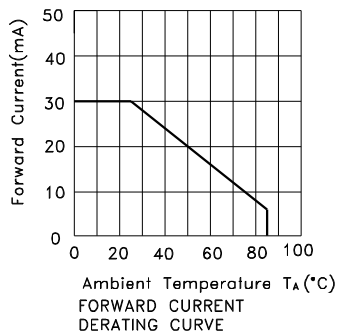
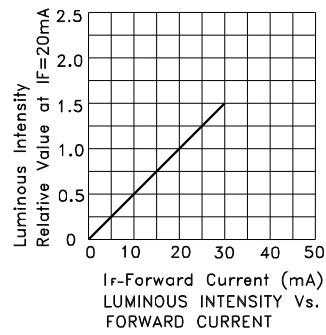
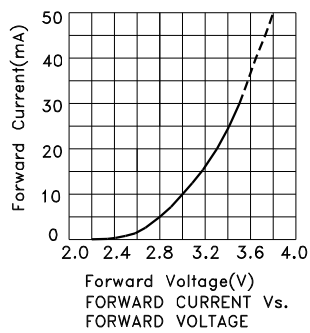
Parameter	Blue	Green	Hyper Red	Units
Power dissipation[2]	350			mW
DC Forward Current	30	30	50	mA
Peak Forward Current [1]	150	150	195	mA
Reverse Voltage	5			V
Operating Temperature	-40°C To +85°C			
Storage Temperature	-40°C To +85°C			

Notes:

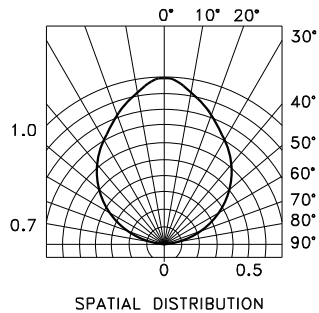
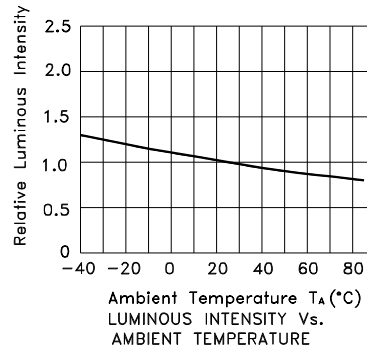
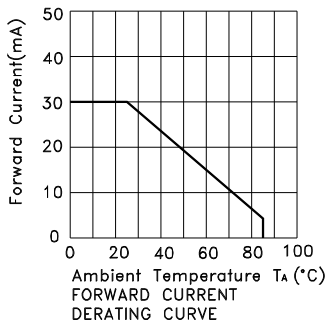
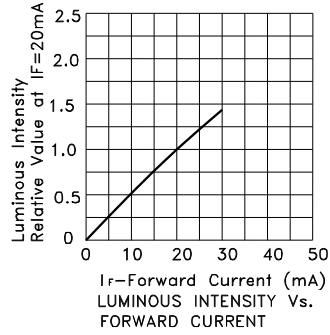
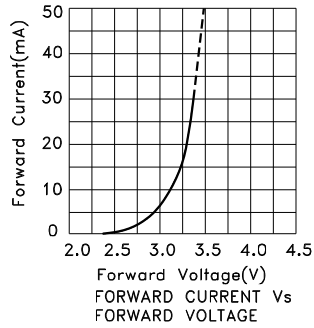
1. 1/10 Duty Cycle, 0.1ms Pulse Width.
2. Within 350mW at all chips are lightened.



AAAF5060QBDZGSEEC
Blue

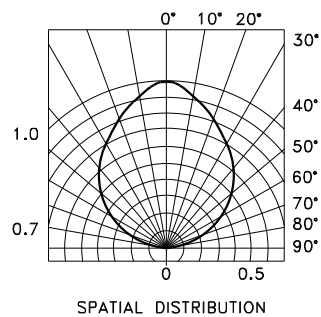
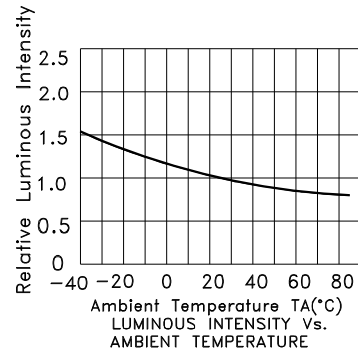
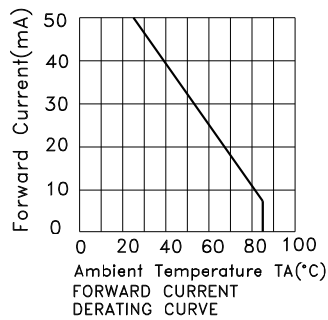
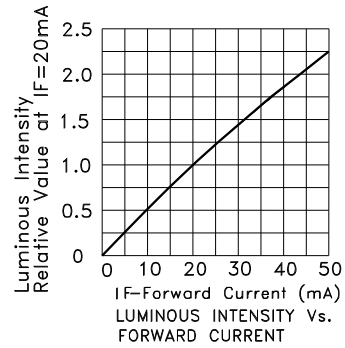
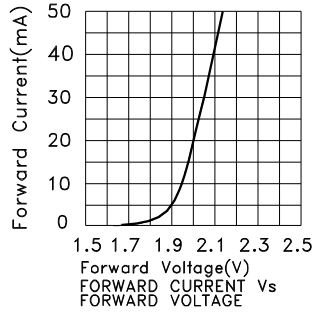


Green



Kingbright

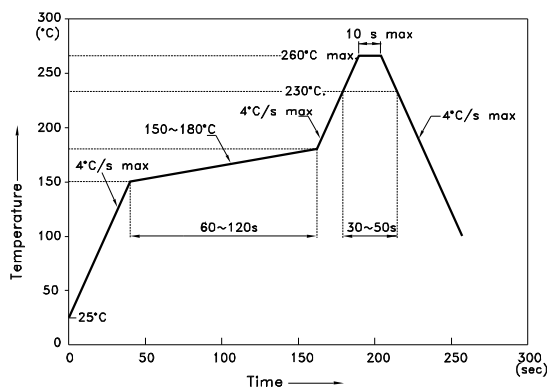
Hyper Red



AAAF5060QBDZGSEEC

Reflow soldering is recommended and the soldering profile is shown below.
Other soldering methods are not recommended as they might cause damage to the product.

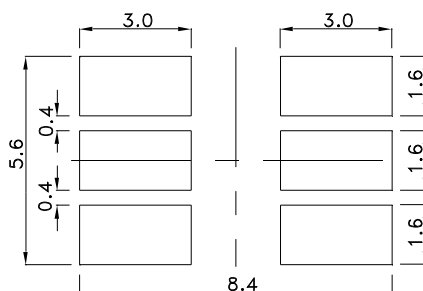
Reflow Soldering Profile For Lead-free SMT Process.



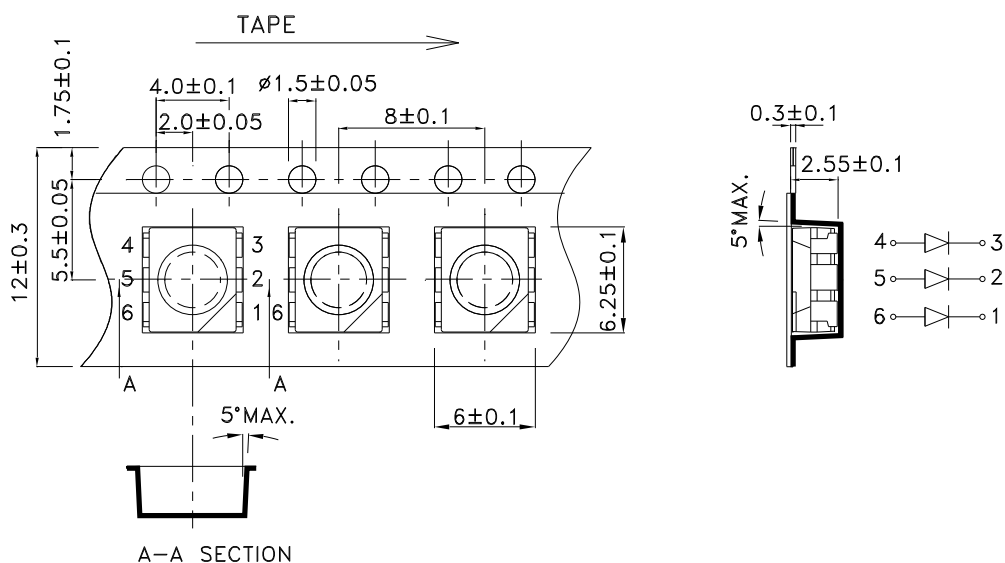
NOTES:

1. We recommend the reflow temperature 245°C(+/-5°C). The maximum soldering temperature should be limited to 260°C.
2. Don't cause stress to the epoxy resin while it is exposed to high temperature.
3. Number of reflow process shall be 2 times or less.

Recommended Soldering Pattern (Units : mm; Tolerance: ± 0.1)



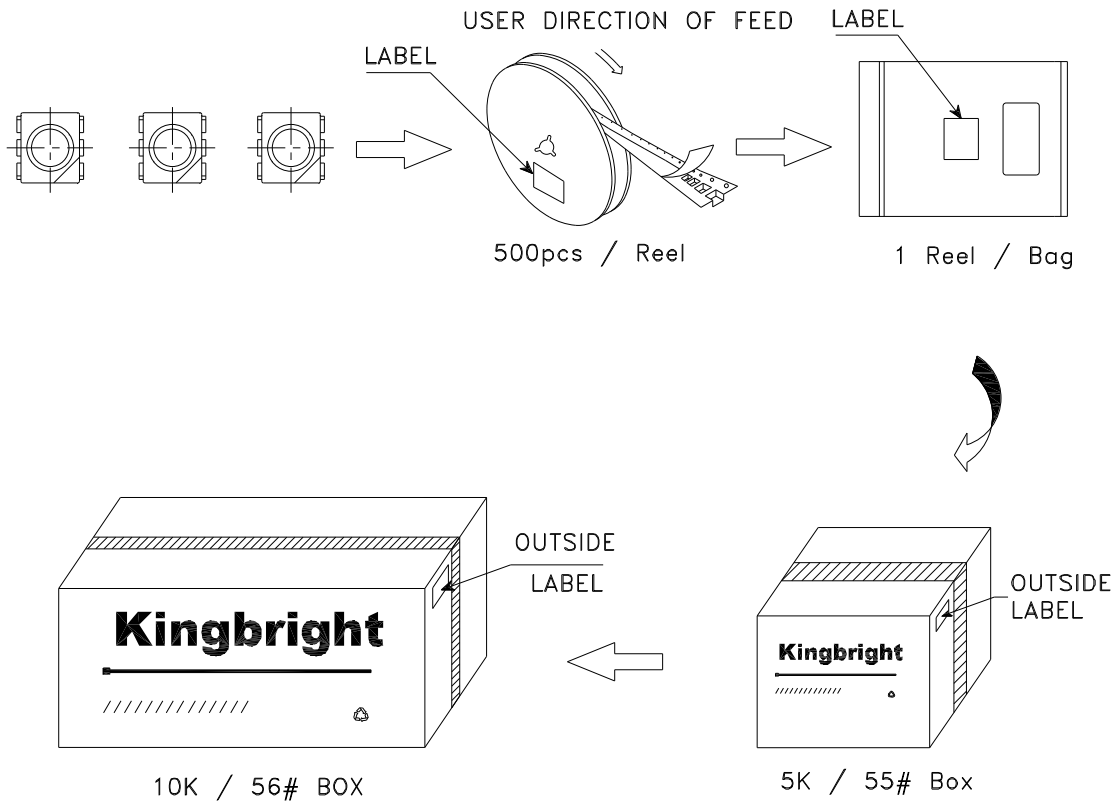
Tape Dimensions (Units : mm)




Kingbright

PACKING & LABEL SPECIFICATIONS

AAAF5060QBDZGSEEC



<h1>Kingbright</h1>	
P/NO: AAAF5060xxx	
QTY: 500 pcs	Q.C. Q C xx xx xxxx PASSED
S/N: XXXX	
CODE: XXX	
LOT NO:	
 xxxxxxxxxxxxxxxxxxxxxxxxxxxx	
RoHS Compliant	