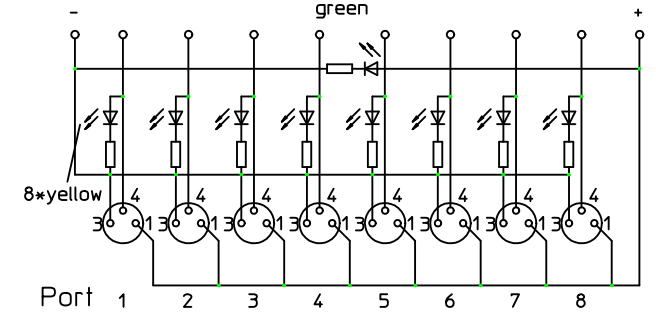
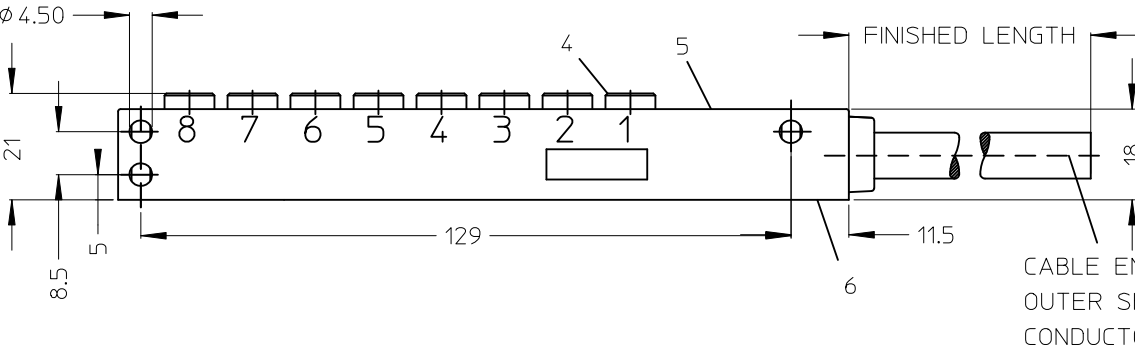
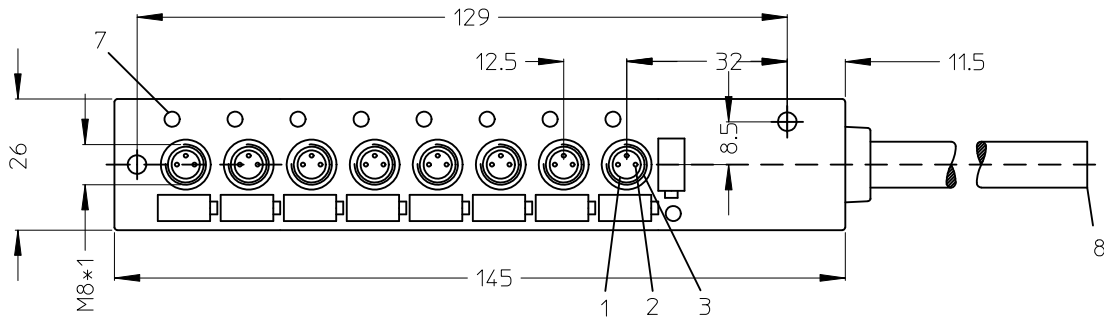


SAP-NUMBER	OLD PART NUMBER	FINISHED LENGTH
1201130014	BEY801P-FBP-05	5000
1201130015	BEY801P-FBP-10	10000



Contact configuration	wire colour		wire mm <sup>2</sup>	Port	M8 connector Contact-No.
	brown (+)		0.75	1-8	1
	blue (-)		0.75	1-8	3
	white		0.34	1	4
	green		0.34	2	4
	yellow		0.34	3	4
	grey		0.34	4	4
	pink		0.34	5	4
	red		0.34	6	4
black		0.34	7	4	
violet		0.34	8	4	

CLOSURE CAP

SAP no. 1203080677  
Quantity 2

VOLTAGE RATING	10 - 30 VDC
AMPERAGE RATING PER PORT	2 A MAX/PORT 6 A MAX. TOTAL
PROTECTION	IP 67
OPERATING TEMPERATURE	-25°C / +90 °C

ITEM	COMPONENT	MATERIAL	FINISH
1	INSERT	PUR	BLACK
2	CONTAC SOCKET	BRASS	GOLD OVER NICKEL
3	O-RING	VITON	---
4	RECEPTACLE SHELL	BRASS	NICKEL PLATED
5	HOUSING	PBT	YELLOW
6	LABEL	ABS	WHITE
7	LENS	PA	CLEAR
8	CABLE	PUR	---

**NEW RELEASE**  
EC NO: WEU2010-0248  
DRWN:SBH 2010/01/08  
CHKD:APOHL WEU 2010/01/08  
APPR:NSTAUDIGEL 2010/01/29

DESCRIPTION

QUALITY SYMBOLS

▽=0  
◻=0

	GENERAL TOLERANCES (UNLESS SPECIFIED)	
	mm	INCH
4 PLACES	± ---	± ---
3 PLACES	± ---	± ---
2 PLACES	± ---	± ---
1 PLACE	± 0.3	± ---
ANGULAR ± ---°		

DRAFT WHERE APPLICABLE MUST REMAIN WITHIN DIMENSIONS

DIMENSION STYLE  
**MM ONLY**

DRAWN BY: SBH  
DATE: 2010/01/08

CHECKED BY: APOHL WEU  
DATE: 2010/01/08

APPROVED BY: NSTAUDIGEL  
DATE: 2010/01/29

MATERIAL NO.

SIZE: **A3**

SCALE: \_\_\_\_\_ DESIGN UNITS: **METRIC**

THIRD ANGLE PROJECTION

TITLE: **M8-MPIS 8 PORT CABLE  
3 POL STRAIGHT OUTLINE**

**molex** MOLEX INCORPORATED

DOCUMENT NO.: **SD-120113-016** SHEET NO.: **1 OF 1**

THIS DRAWING CONTAINS INFORMATION THAT IS PROPRIETARY TO MOLEX INCORPORATED AND SHOULD NOT BE USED WITHOUT WRITTEN PERMISSION