

W1G200-CI77-52

## EC axial fan

sickled blades (S series)

with full round nozzle



**ebm-papst Mulfingen GmbH & Co. KG**

Bachmühle 2

74673 Mulfingen

Phone: +49 7938 81-0

Fax: +49 7938 81-110

[www.ebmpapst.com](http://www.ebmpapst.com)

[info1@de.ebmpapst.com](mailto:info1@de.ebmpapst.com)

### Nominal data

Type	W1G200-CI77-52	
Motor	M1G074-BF	
Nominal voltage	[VDC]	24
Nominal voltage range	[VDC]	16 .. 28
Type of data definition		rfa
Speed	[min <sup>-1</sup> ]	2950
Power input	[W]	55
Current draw	[A]	2.6
Max. back pressure	[Pa]	120
Min. ambient temperature	[°C]	-25
Max. ambient temperature	[°C]	+60

ml = max. load · me = max. efficiency · rfa = running at free air · cs = customer specs · cu = customer unit  
Subject to alterations

# EC axial fan

sickled blades (S series)  
with full round nozzle

## Technical features

<b>Size</b>	200 mm
<b>Operation mode</b>	S1
<b>Direction of rotation</b>	Counter-clockwise, seen on rotor
<b>Mounting position</b>	Any
<b>EMC interference emission</b>	Acc. to EN 55022 (Class B)
<b>EMC interference immunity</b>	Acc. to EN 61000-6-2 (industrial environment)
<b>Direction of air flow</b>	"A"
<b>Insulation class</b>	"B"
<b>Cable exit</b>	Lateral
<b>Condensate discharge holes</b>	None
<b>Bearing motor</b>	Ball bearing
<b>Mass</b>	2.35 kg
<b>Material of electronics housing</b>	Die-cast aluminium, coated in black
<b>Material of blades</b>	Sheet steel, coated in black
<b>Material of guard grille</b>	Steel, phosphated and coated in black plastic
<b>Material of wall ring</b>	Sheet steel, pre-galvanised and coated in black plastic
<b>Motor protection</b>	Reverse polarity and locked-rotor protection
<b>Product conforming to standard</b>	EN 60950-1
<b>Surface of rotor</b>	Coated in black
<b>Number of blades</b>	9
<b>Type of protection</b>	IP 42
<b>Technical features</b>	<ul style="list-style-type: none"> <li>- Control input 0-10 VDC / PWM</li> <li>- Tach output</li> <li>- Motor current limit</li> <li>- Soft start</li> </ul>
<b>Max. permissible ambient motor temp. (transp./ storage)</b>	+80 °C
<b>Min. permissible ambient motor temp. (transp./storage)</b>	-40 °C
<b>Approval</b>	CSA C22.2 Nr.77; UL 1004-1

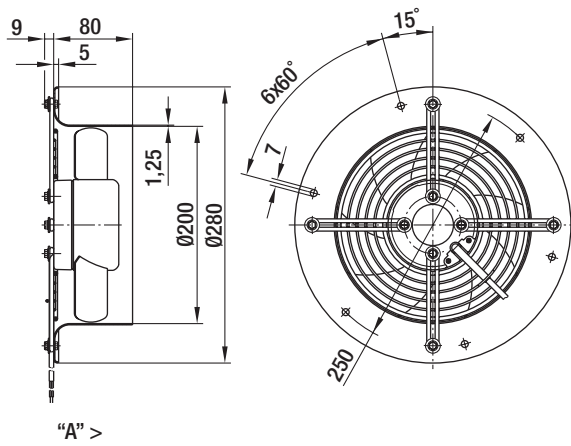
W1G200-CI77-52

# EC axial fan

sickled blades (S series)

with full round nozzle

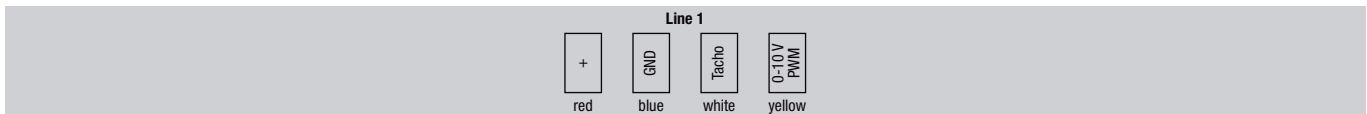
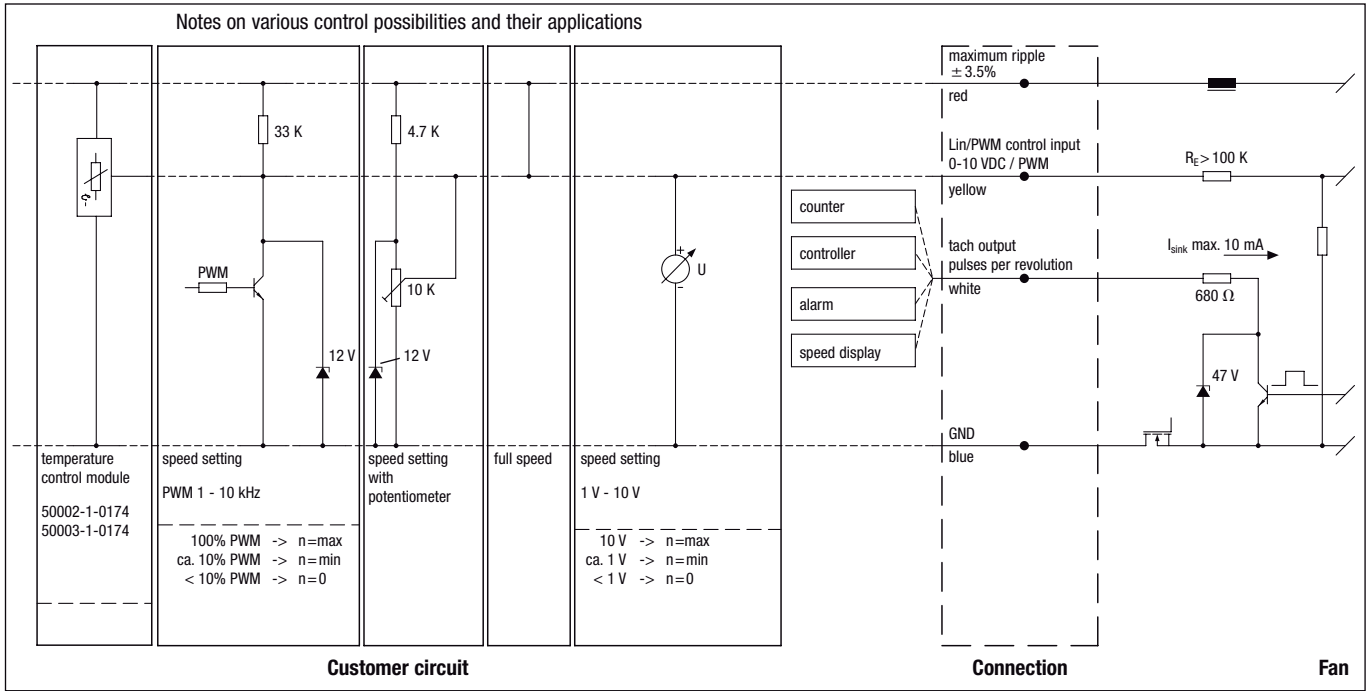
## Product drawing



# EC axial fan

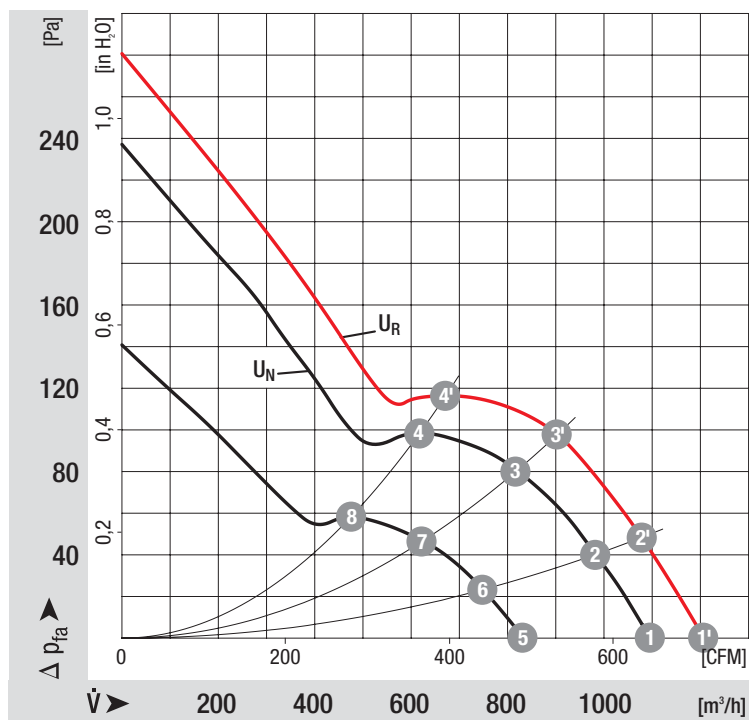
sickled blades (S series)  
with full round nozzle

## Connection screen



Line	Signal	Colour	Assignment / function	Line	Signal	Colour	Assignment / function
1	+	red	maximum ripple $\pm 3.5\%$	1	Tacho	white	Tach output: pulses per revolution
	GND	blue	GND		0-10 V / PWM	yellow	Control input

## Charts: Air flow



## Measured values

	n	P <sub>1</sub>	$\eta_{TL}$
	[min <sup>-1</sup> ]	[W]	[%]
1'	2300	73	
2'	2970	77	67
3'	3100	80	64
4'	2970	80	54
1	2950	55	
2	2890	58	67
3	2800	61	64
4	2780	63	54
5	2270	27	
6	2230	28	67
7	2170	29	64
8	2130	30	54